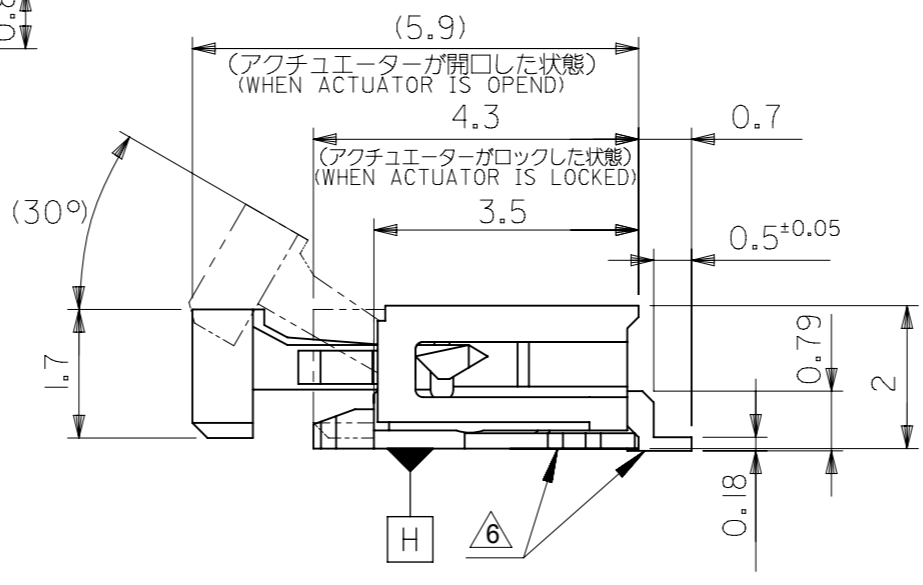
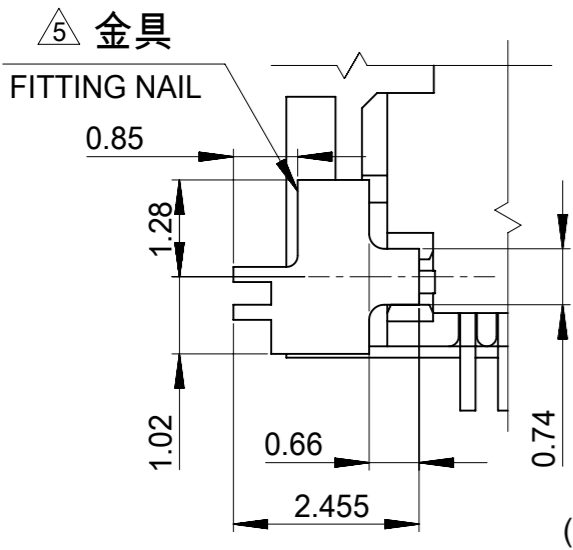
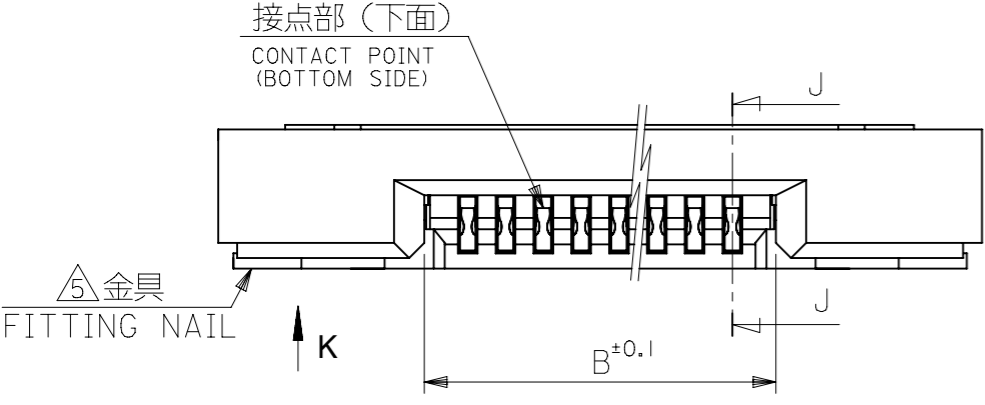
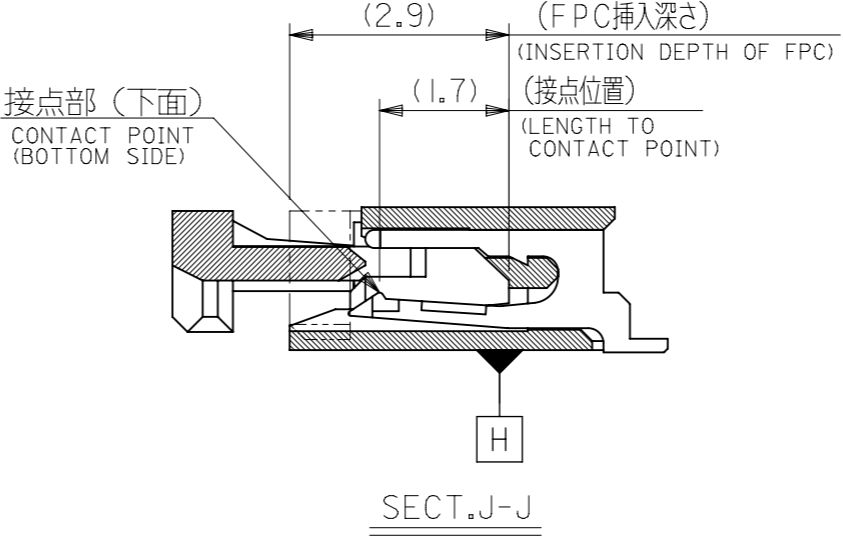
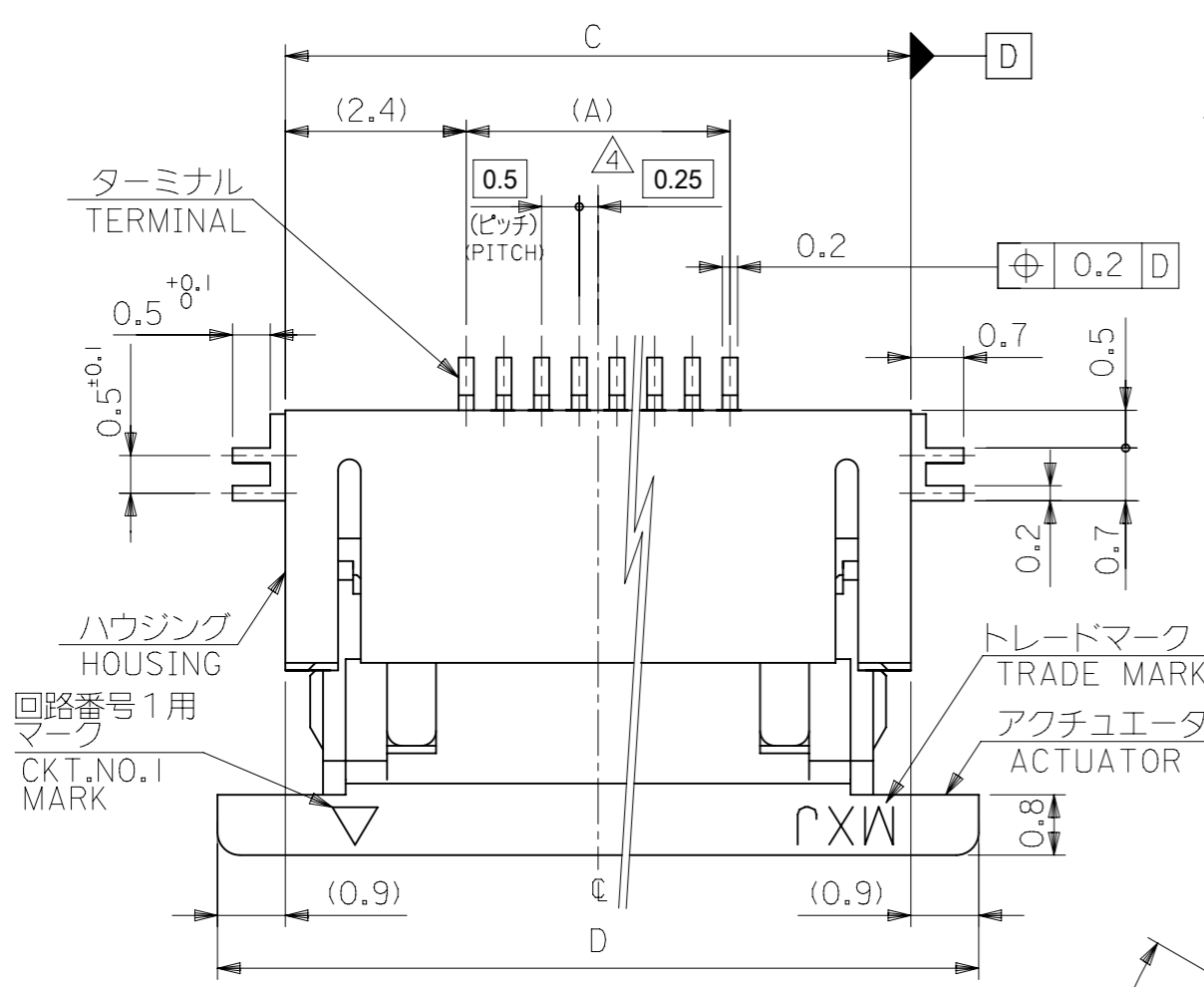


注記(NOTES)

- 材質 MATERIAL  
 ハウジング: ポリアミド (PA)、ガラス充填、白色、UL94V-0  
 HOUSING: POLYAMIDE, GLASS FILLED, WHITE, UL94V-0  
 アクチュエータ: ポリフェニレンサルファイド (PPS)、ガラス充填、茶色、UL94V-0  
 ACTUATOR: POLYPHENYLENE SULFIDE, GLASS FILLED, BROWN, UL94V-0  
 ターミナル: リン青銅 (t=0.2)  
 TERMINAL: PHOSPHOR BRONZE (t=0.2)  
 金具: リン青銅 (t=0.2)  
 NAIL: PHOSPHOR BRONZE (t=0.2)
  - メッキ仕様 PLATING  
 ターミナル  
 TERMINAL  
 錫銀ヒスマメッキ(1.0μm以上)  
 TIN SILVER BISMUTH PLATING (1.0MICROMETER MINIMUM)  
 下地メッキ: ニッケルメッキ(1.0μm以上)  
 UNDER PLATING: NICKEL PLATING (1.0MICROMETER MINIMUM)  
 金具  
 NAIL  
 錫メッキ(1.0μm以上)  
 TIN PLATING (1.0MICROMETER MINIMUM)  
 下地メッキ: ニッケルメッキ(1.0μm以上)  
 UNDER PLATING: NICKEL PLATING (1.0MICROMETER MINIMUM)
- △3 R0.3はFPCの導体部にかからないこと  
 R0.3 MUST NOT BE OVERLAPED TO PATTERN OF FPC.
- △4 偶数極に適用  
 APPLY FOR EVEN CIRCUIT.
- △5 パターン剥離止め金具  
 FITTING NAIL FOR PREVENTION OF PEELING OF P.W.B. PATTERN.
- △6 ソルダータール半田付け面のズレ量、及び金具半田付け面のズレ量は、基準面Hに対して上方向に0.1MAXIMUM、下方向0.15MAXIMUMとする。  
 MISALIGNMENT OF SOLDER TAILS AND FITTING NAILS FROM DATUM-H  
 UPPER DIRECTION: 0.1MAXIMUM  
 LOWER DIRECTION: 0.15MAXIMUM
- エンボステープ梱包時は、アクチュエータがロックした状態になります。  
 IN THE PACKAGE, ACTUATOR OF PART NO.52746-\*\*22 SHOULD BE LOCKED.
  - ELV及びRoHS適合品  
 ELV AND RoHS COMPLIANT



16.1	14.3	10.65	9.5	52746-2033	20
15.1	13.3	9.65	8.5	52746-1833	18
14.6	12.8	9.15	8	52746-1733	17
14.1	12.3	8.65	7.5	52746-1633	16
13.6	11.8	8.15	7	52746-1533	15
13.1	11.3	7.65	6.5	52746-1433	14
12.1	10.3	6.65	5.5	52746-1233	12
11.6	9.8	6.15	5	52746-1133	11
11.1	9.3	5.65	4.5	52746-1033	10
10.6	8.8	5.15	4	52746-0933	9
10.1	8.3	4.65	3.5	52746-0833	8
9.6	7.8	4.15	3	52746-0733	7
9.1	7.3	3.65	2.5	52746-0633	6
8.1	6.3	2.65	1.5	52746-0433	4
D	C	B	(A)	EMBOSSED PACKAGE ORDER No. オーダー番号	極数 CKT.

CONNECTOR SERIES NO. : 52746-\*\*22

GENERAL TOLERANCES (UNLESS SPECIFIED)	
10 UNDER	± 0.2
10 OVER 30 UNDER	± 0.25
30 OVER	± 0.3
ANGULAR	± 3°
DRAFT WHERE APPLICABLE MUST REMAIN WITHIN DIMENSIONS	

THIS DRAWING CONTAINS INFORMATION THAT IS PROPRIETARY TO MOLEX ELECTRONIC TECHNOLOGIES, LLC AND SHOULD NOT BE USED WITHOUT WRITTEN PERMISSION

DIMENSION UNITS	SCALE	CURRENT REV DESC: REMOVED OBSOLETE PART NUMBER AS PER PCN#512672.
mm	10:1	
GENERAL TOLERANCES (UNLESS SPECIFIED)		
ANGULAR TOL	± 30°	
4 PLACES	± 0.2	
3 PLACES	± 0.25	
2 PLACES	± 0.3	
1 PLACE	±	
0 PLACES	±	
DRAFT WHERE APPLICABLE MUST REMAIN WITHIN DIMENSIONS		

EC NO: 724799  
 DRWN: SUGEEB  
 CHK'D: GGA  
 APPR: GGA

INITIAL REVISION:  
 DRWN: KNAGUMO  
 APPR: KMORIKAWA

THIRD ANGLE PROJECTION

DRAWING: A3-SIZE  
 SERIES: 52746

DATE: 2022/10/21  
 DATE: 2022/11/03  
 DATE: 2022/11/03

2012/08/31  
 2013/04/16

DOCUMENT NUMBER: SD-52746-031  
 DOC TYPE: PSD  
 DOC PART: 001  
 REVISION: B1

MATERIAL NUMBER: SEE CHART  
 CUSTOMER: GENERAL MARKET  
 SHEET NUMBER: 1 OF 2

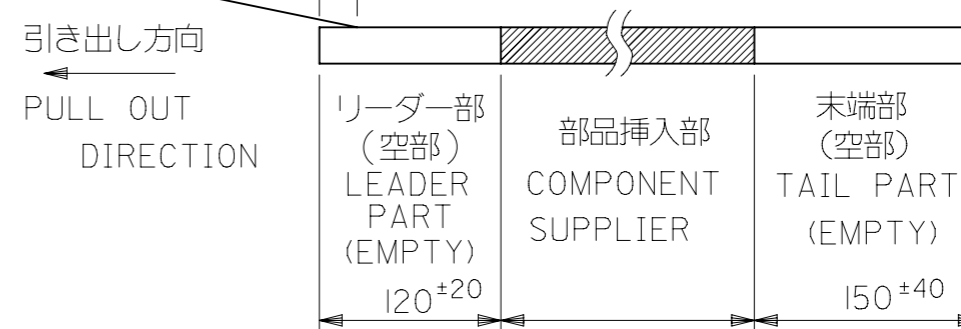
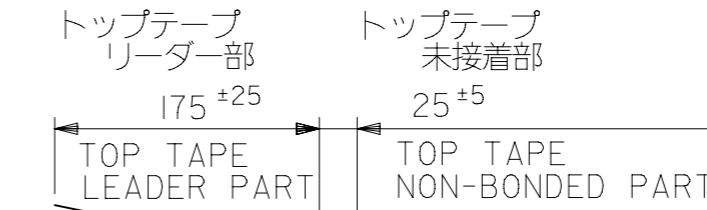


注記 NOTES

1. 製品番号52746-\*\*22の梱包状態はアクチュエータがロックした状態とする。  
 詳細寸法については図面SD-52746-031を参照下さい。  
 IN THE PACKAGE, ACTUATOR OF PART NO.52746-\*\*22 SHOULD BE LOCKED  
 DETAIL DIMENSIONS, SEE SD-52746-031

2. 梱包数量：1000個/リール  
 NUMBER OF CONNECTORS:1000PCS/REEL

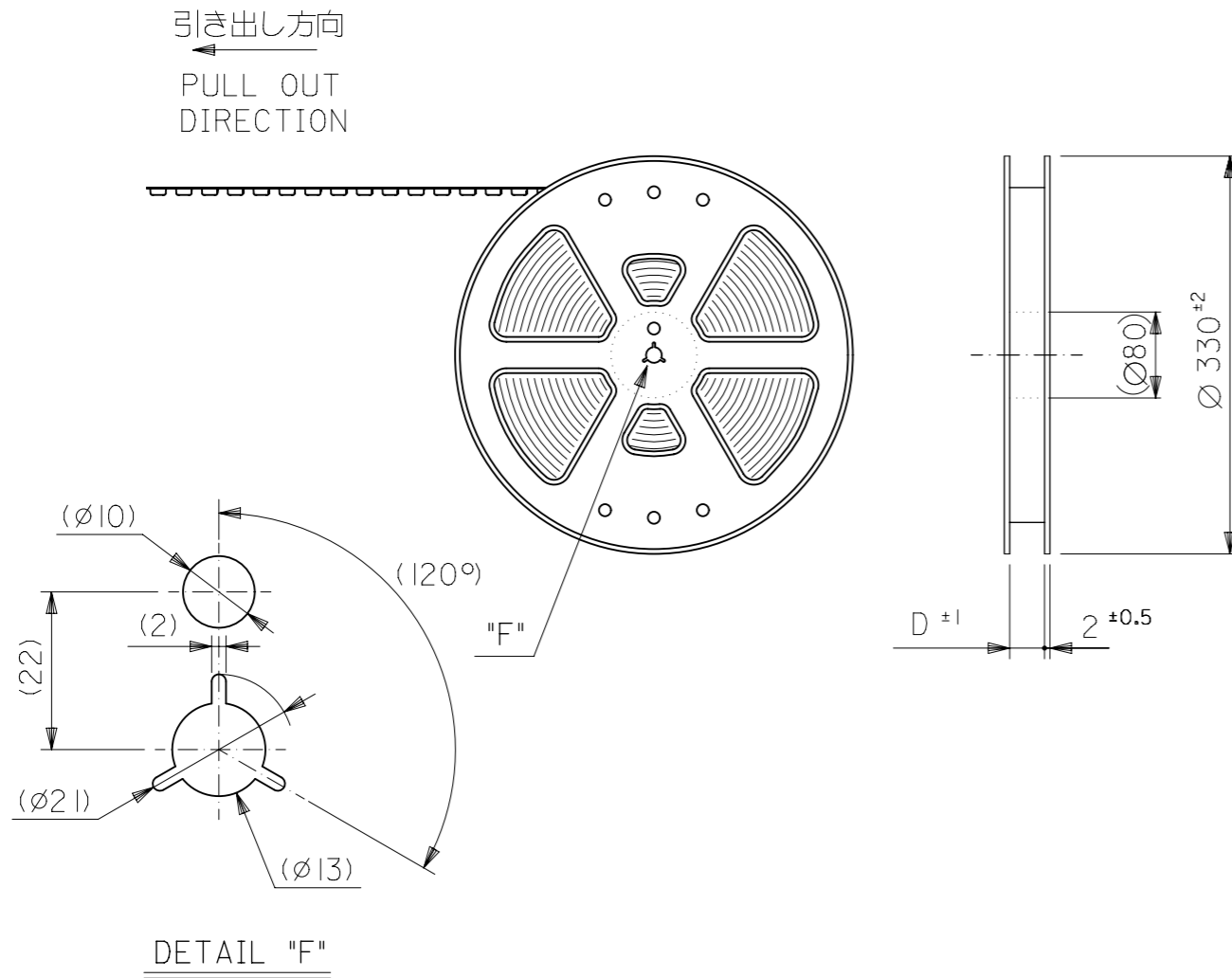
3. リードテープ長さ LEAD TAPE LENGTH



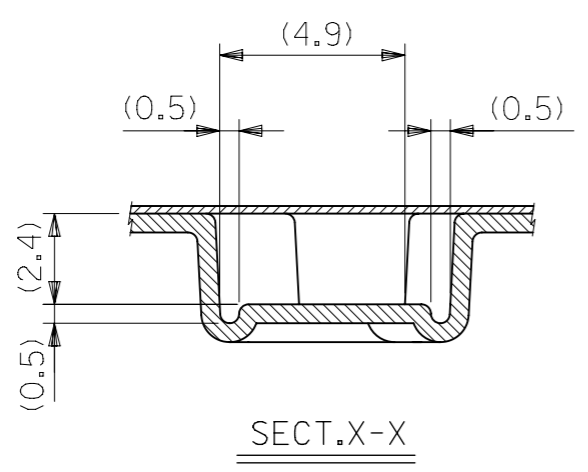
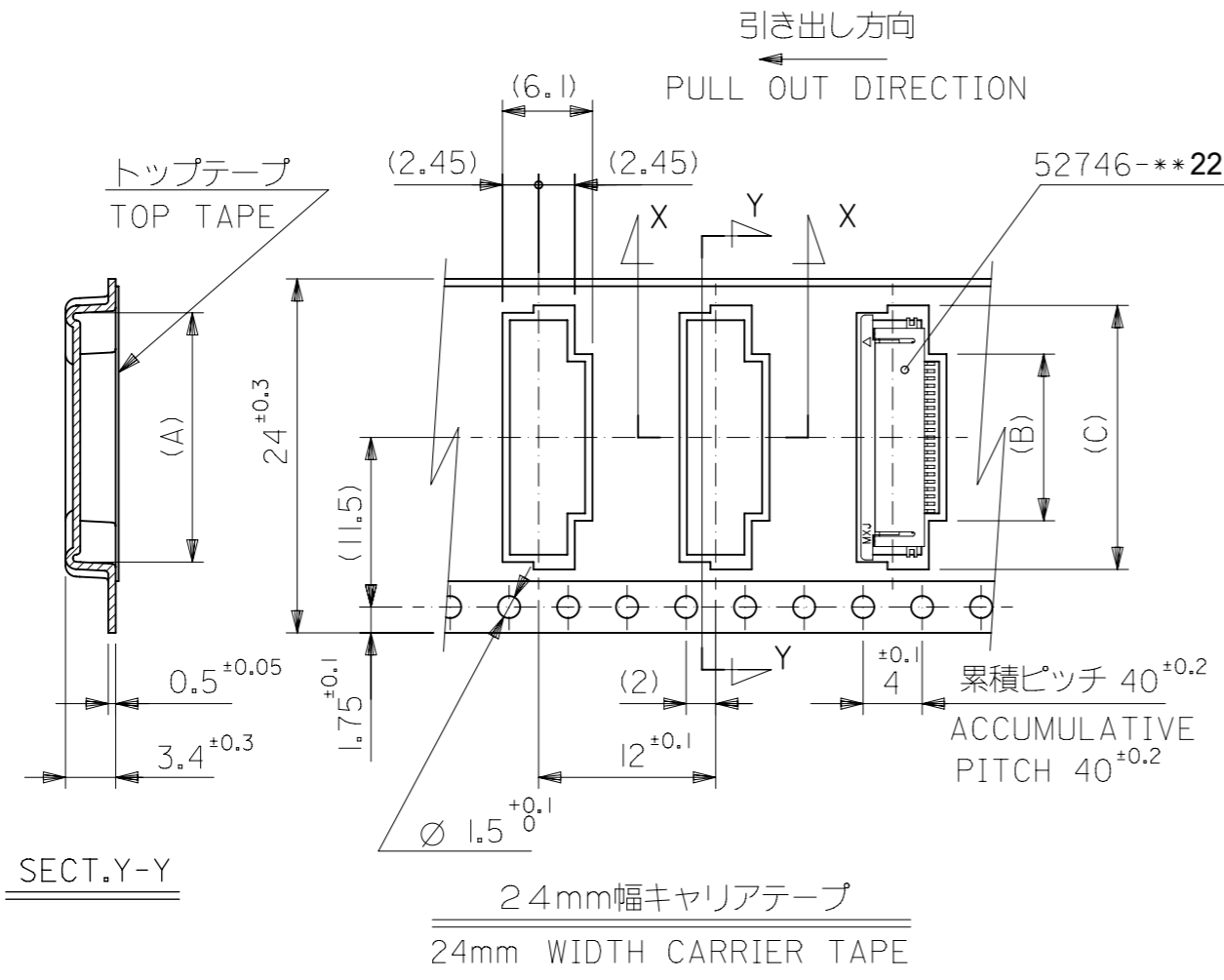
4. トップテープの剥離強度については、IEC60286-3に準拠  
 TOP TAPE PEEL FORCE IS DEFINED BY IEC60286-3.

5. 材料 キャリアテープ：ポリプロピレン (PP)  
 トップテープ：PET, PE, PEF  
 リール：ポリスチレン (PS) <リサイクル材を含む>  
 MATERIAL CARRIER TAPE:POLYPROPYLENE  
 TOP TAPE:PET,PE,PEF  
 REEL:POLYSTYREN(PS)  
 <RECYCLE MATERIAL CONTAINED>

6. ELV及びRoHS適合品  
 ELV AND RoHS COMPLIANT



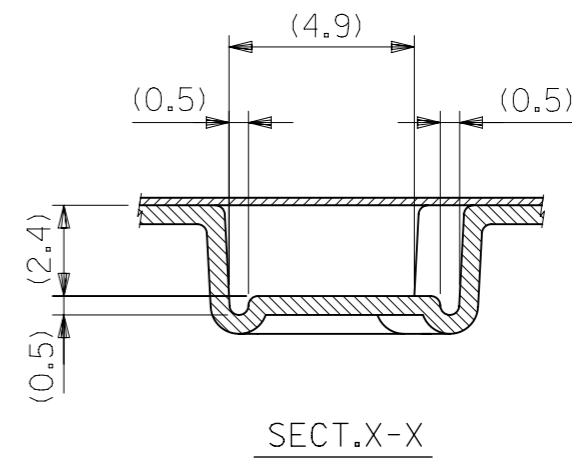
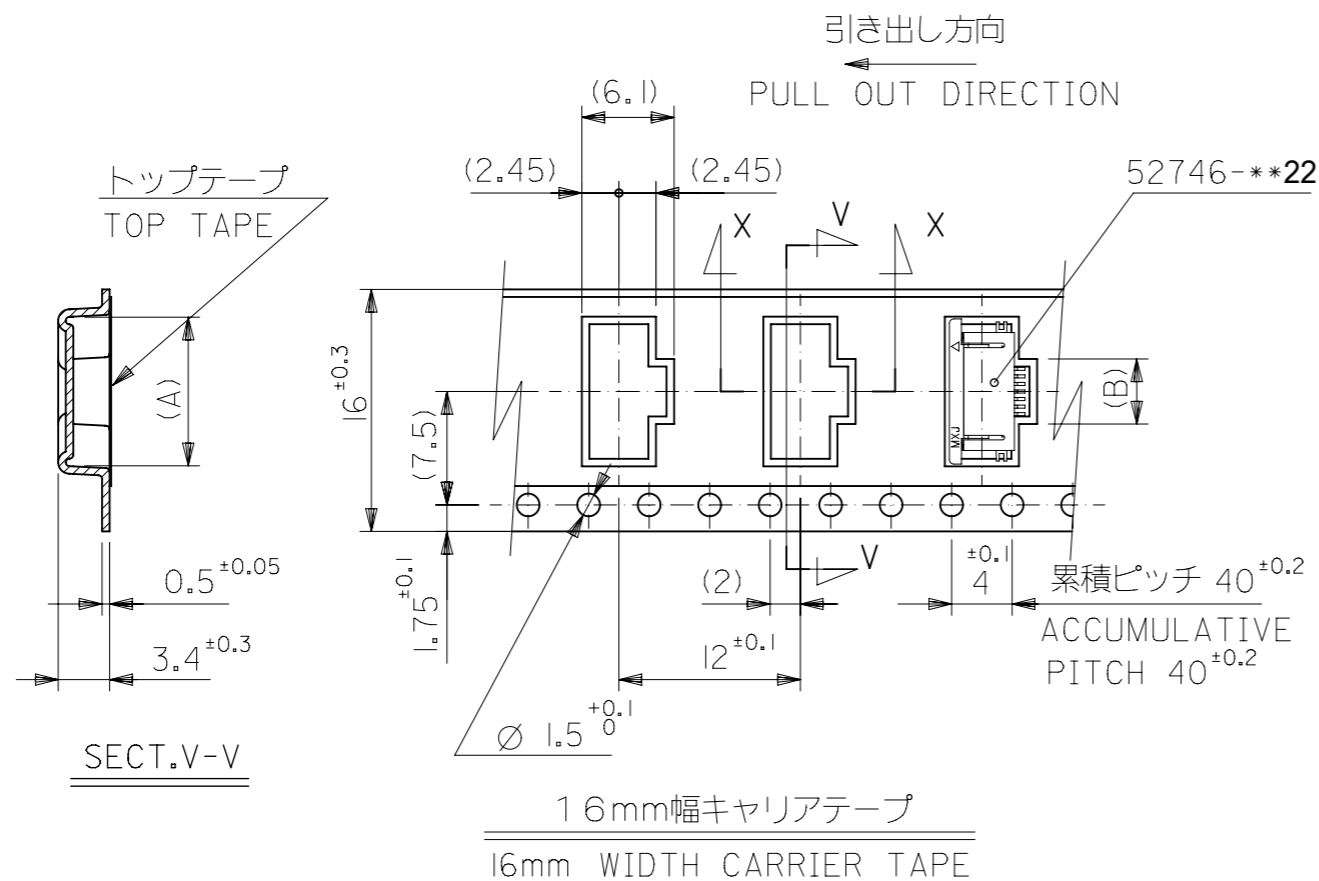
THIS DRAWING CONTAINS INFORMATION THAT IS PROPRIETARY TO MOLEX ELECTRONIC TECHNOLOGIES, LLC AND SHOULD NOT BE USED WITHOUT WRITTEN PERMISSION									
DIMENSION UNITS	SCALE	CURRENT REV DESC: REMOVED OBSOLETE PART NUMBER AS PER PCN#512672.			<b>molex</b>				
mm	NTS								
GENERAL TOLERANCES (UNLESS SPECIFIED)		EC NO: 724799			EMBOSS TAPE PACKAGED FOR 0.5MM FPC CONN ZIF R/A HOUSING ASSY				
ANGULAR TOL	± °	DRWN: SUGEEB 2022/10/21			PRODUCT CUSTOMER DRAWING				
4 PLACES	±	CHK'D: GGA 2022/11/03			DOCUMENT NUMBER				
3 PLACES	±	APPR: GGA 2022/11/03			SD-52746-032				
2 PLACES	±	INITIAL REVISION:			DOC TYPE				
1 PLACE	±	DRWN: KNAGUMO 2012/09/05			PSD				
0 PLACES	±	APPR: KMORIKAWA 2013/04/16			DOC PART				
DRAFT WHERE APPLICABLE MUST REMAIN WITHIN DIMENSIONS		THIRD ANGLE PROJECTION		DRAWING		SERIES		SHEET NUMBER	
		A3-SIZE		52746		SEE TABLE		1 OF 3	



24	25.5	17.4	10.8	16.4	52746-2033	20
		16.4	9.8	15.4	-1833	18
		15.9	9.3	14.9	-1733	17
		15.4	8.8	14.4	-1633	16
		14.9	8.3	13.9	-1533	15
		14.4	7.8	13.4	-1433	14
		13.4	6.8	12.4	-1233	12
		12.9	6.3	11.9	-1133	11
		12.4	5.8	11.4	-1033	10
		11.9	5.3	10.9	-0933	9
		11.4	4.8	10.4	-0833	8
10.9	4.3	9.9	-0733	7		
10.4	3.8	9.4	52746-0633	6		
キャリアテープ幅 CARRIER TAPE WIDTH	D	(C)	(B)	(A)	MATERIAL NO.	極数 CIRCUIT

THIS DRAWING CONTAINS INFORMATION THAT IS PROPRIETARY TO MOLEX ELECTRONIC TECHNOLOGIES, LLC AND SHOULD NOT BE USED WITHOUT WRITTEN PERMISSION

DIMENSION UNITS <b>mm</b>	SCALE <b>NTS</b>	CURRENT REV DESC: REMOVED OBSOLETE PART NUMBER AS PER PCN#512672.	<b>molex</b>			
GENERAL TOLERANCES (UNLESS SPECIFIED)						EMBOSS TAPE PACKAGED FOR 0.5MM FPC CONN ZIF R/A HOUSING ASSY
ANGULAR TOL ±	°	EC NO: 724799	PRODUCT CUSTOMER DRAWING			
4 PLACES ±		DRWN: SUGEEB	2022/10/21	DOCUMENT NUMBER		
3 PLACES ±		CHK'D: GGA	2022/11/03	SD-52746-032	DOC TYPE	
2 PLACES ±		APPR: GGA	2022/11/03	PSD	DOC PART	
1 PLACE ±		INITIAL REVISION:	2012/09/05	001	REVISION	
0 PLACES ±		DRWN: KNAGUMO	2013/04/16	A		
DRAFT WHERE APPLICABLE MUST REMAIN WITHIN DIMENSIONS	THIRD ANGLE PROJECTION	DRAWING	SERIES	MATERIAL NUMBER	CUSTOMER	SHEET NUMBER
		A3-SIZE	52746	SEE TABLE	GENERAL	2 OF 3



16	17.5	2.8	8.4	52746-0433	4
キャリアテープ幅 CARRIER TAPE WIDTH	D	(B)	(A)	MATERIAL NO.	極数 CIRCUIT

THIS DRAWING CONTAINS INFORMATION THAT IS PROPRIETARY TO MOLEX ELECTRONIC TECHNOLOGIES, LLC AND SHOULD NOT BE USED WITHOUT WRITTEN PERMISSION					
DIMENSION UNITS mm	SCALE NTS	CURRENT REV DESC: REMOVED OBSOLETE PART NUMBER AS PER PCN#512672.			
GENERAL TOLERANCES (UNLESS SPECIFIED)		<p><b>molex</b></p> <p>EMBOSS TAPE PACKAGED FOR 0.5MM FPC CONN ZIF R/A HOUSING ASSY</p>			
ANGULAR TOL	± °				
4 PLACES	±	EC NO: 724799	<p>PRODUCT CUSTOMER DRAWING</p>		
3 PLACES	±	DRWN: SUGEEB 2022/10/21			
2 PLACES	±	CHK'D: GGA 2022/11/03			
1 PLACE	±	APPR: GGA 2022/11/03	DOCUMENT NUMBER		
0 PLACES	±	INITIAL REVISION:	DOC TYPE DOC PART REVISION		
DRAFT WHERE APPLICABLE MUST REMAIN WITHIN DIMENSIONS		DRWN: KNAGUMO 2012/09/05	SD-52746-032		
THIRD ANGLE PROJECTION		APPR: KMORIKAWA 2013/04/16	PSD 001 A		
DRAWING		SERIES	MATERIAL NUMBER	CUSTOMER	SHEET NUMBER
A3-SIZE		52746	SEE TABLE	GENERAL	3 OF 3