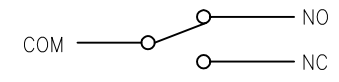
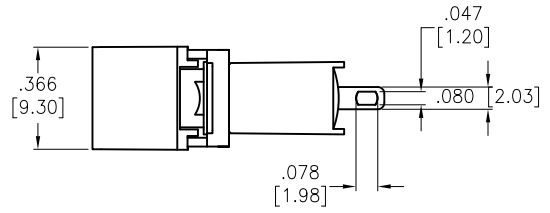
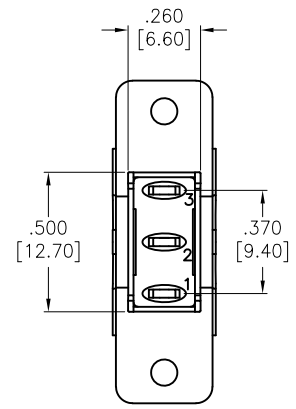
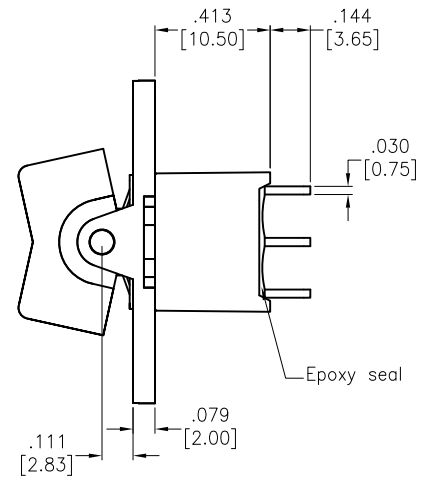
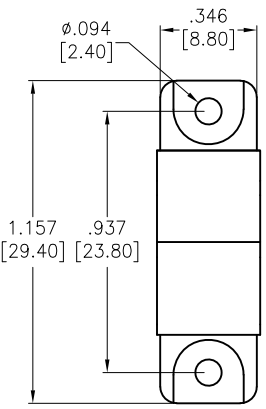


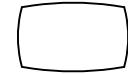
Rev	AWO #	Description	Date	Appr
-		RELEASED	12/16/20	
A		UPDATE TITLE	6/25/21	WX/RC

APPROVED: \_\_\_\_\_  
 DATE: \_\_\_\_\_ TITLE: \_\_\_\_\_



CIRCUIT DIAGRAM  
(SPDT) ON-ON

SWITCH MARKINGS



SPECIFICATIONS:

Material:  
 Movable contact: Copper Alloy, Silver plated  
 Terminals: Silver plated with outer layer in gold plating  
 Cap Actuator: Plastic, color Black  
 Electrical:  
 Rating: 5 Amps with resistive load @ 125VAC or 28VDC  
           2 Amps with resistive load @ 250VAC  
 Contact resistance: 10 mohms max initial  
 Insulation resistance: 1,000 Mohms min  
 Dielectric withstanding voltage: 1500V RMS @ sea level  
 Electrical life: 50,000 make and break cycles at full load  
 Temperature Rating:  
 Operating temperature: -30°C to +85°C  
 Environmental:  
 IP Class: IP67  
 Lead free, RoHS compliant



UNLESS OTHERWISE SPECIFIED ALL DIMENSIONS ARE INCHES [MM] TOLERANCES: EXCEPT AS NOTED		
INCHES		HOLES
.X ± .10	Ø.X ± .10	
.XX ± .020	Ø.XX ± .015	
.XXX ± .015	Ø.XXX ± .010	
APPROVALS		DATE
DRAWN	OW	12/16/20
CHECKED	AC	12/16/20
APPROVED		

**ADAM TECH** 909 Rahway Avenue,  
 Union, NJ 07083  
 Phone: 908-687-5000  
 Fax: 908-687-5710

TITLE: **MINIATURE ROCKER SWITCH, SPDT,  
 ON-ON, SOLDER TYPE**

SIZE <b>X</b>	PART NO. <b>SW-R2-2B-A-5-11</b>	REV. <b>A</b>
REF: S00198T	SCALE: NTS	SHEET 1 OF 1