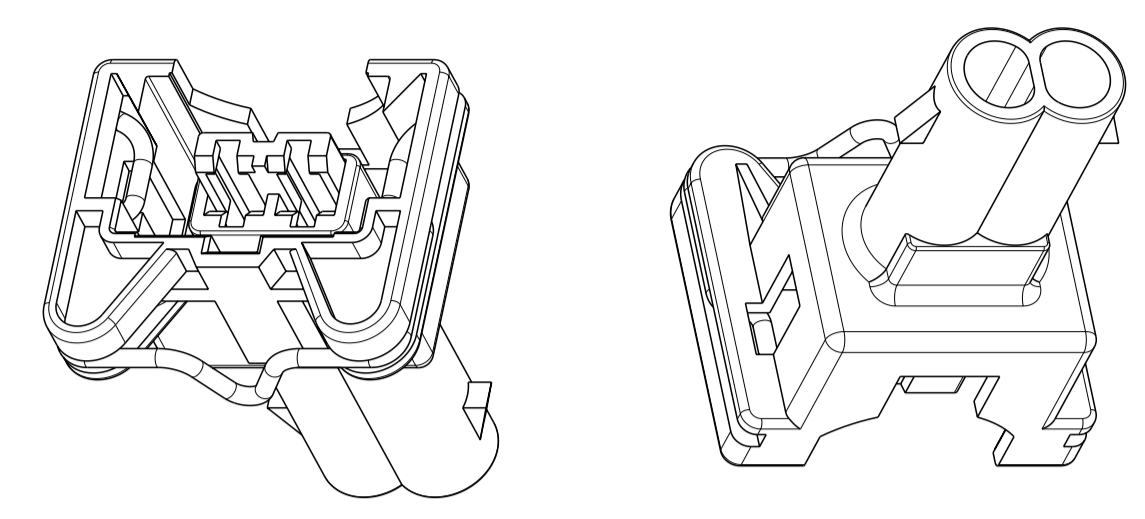
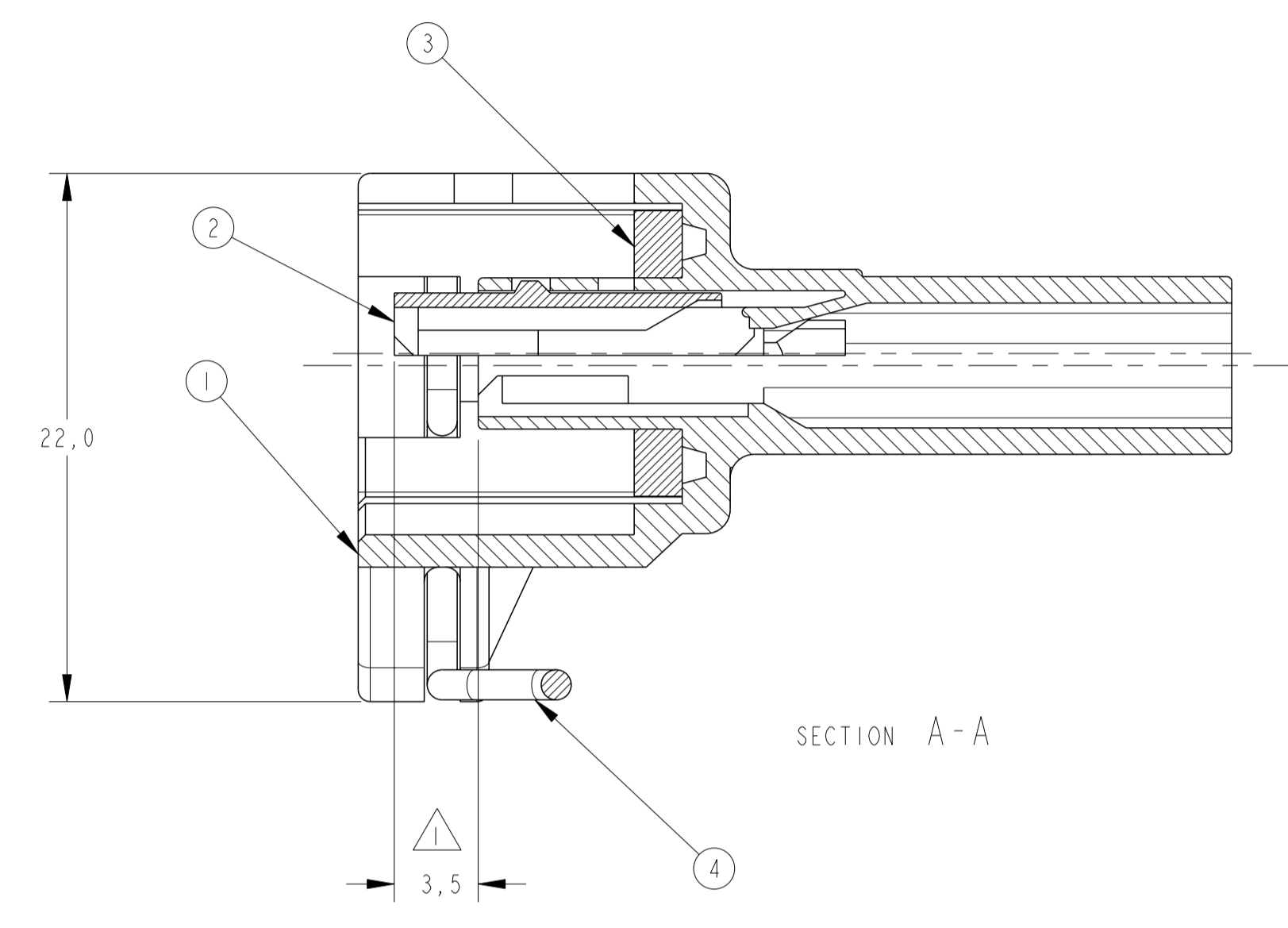
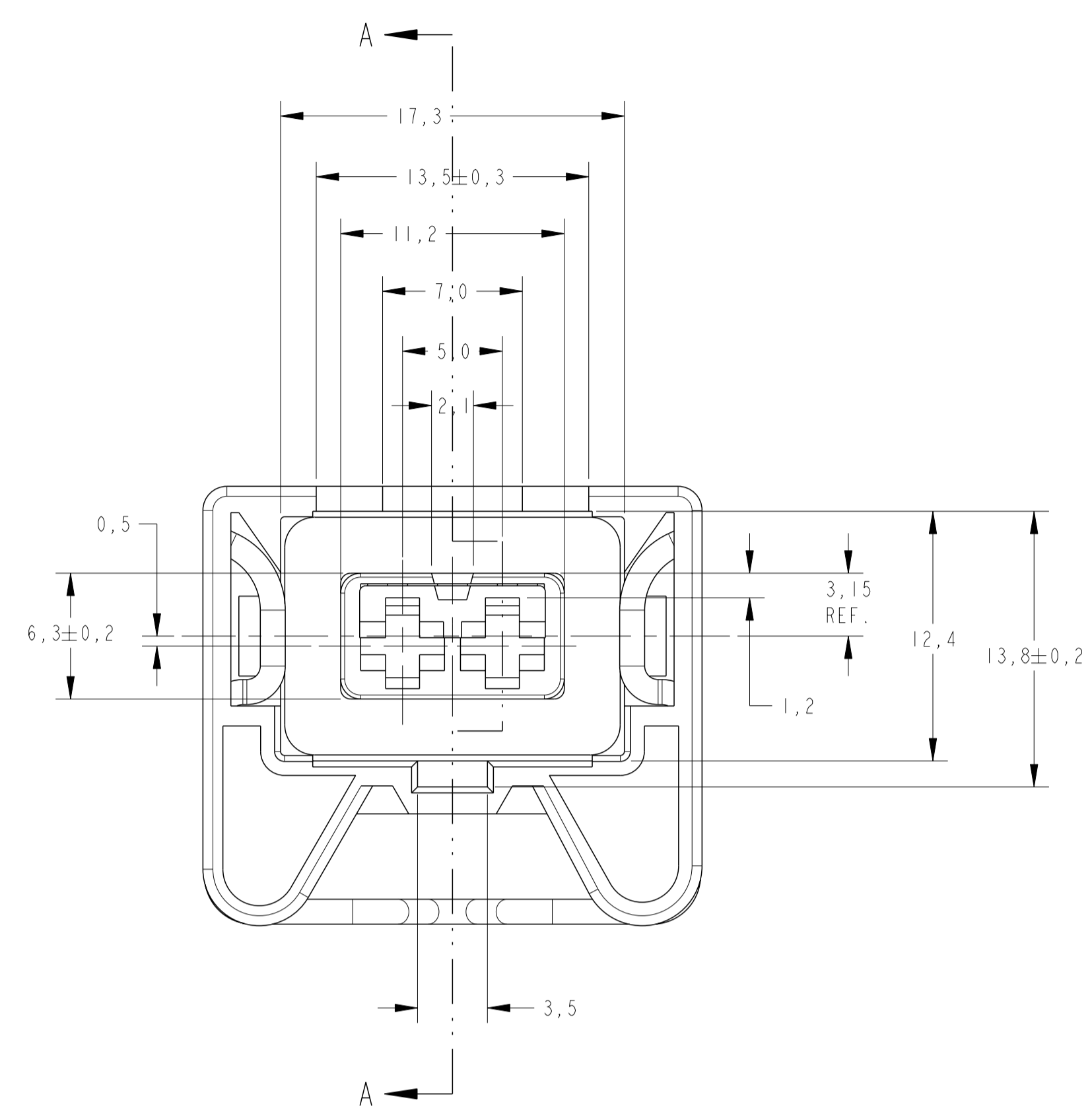
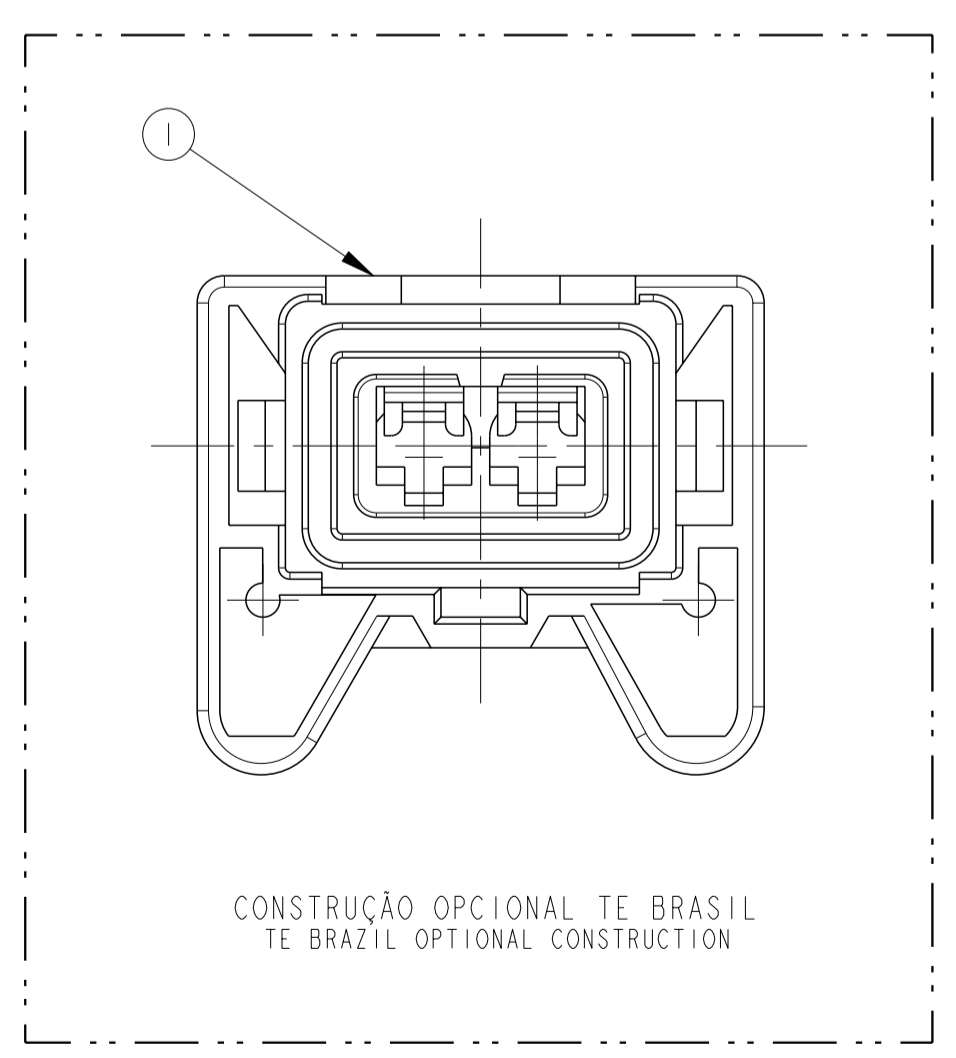
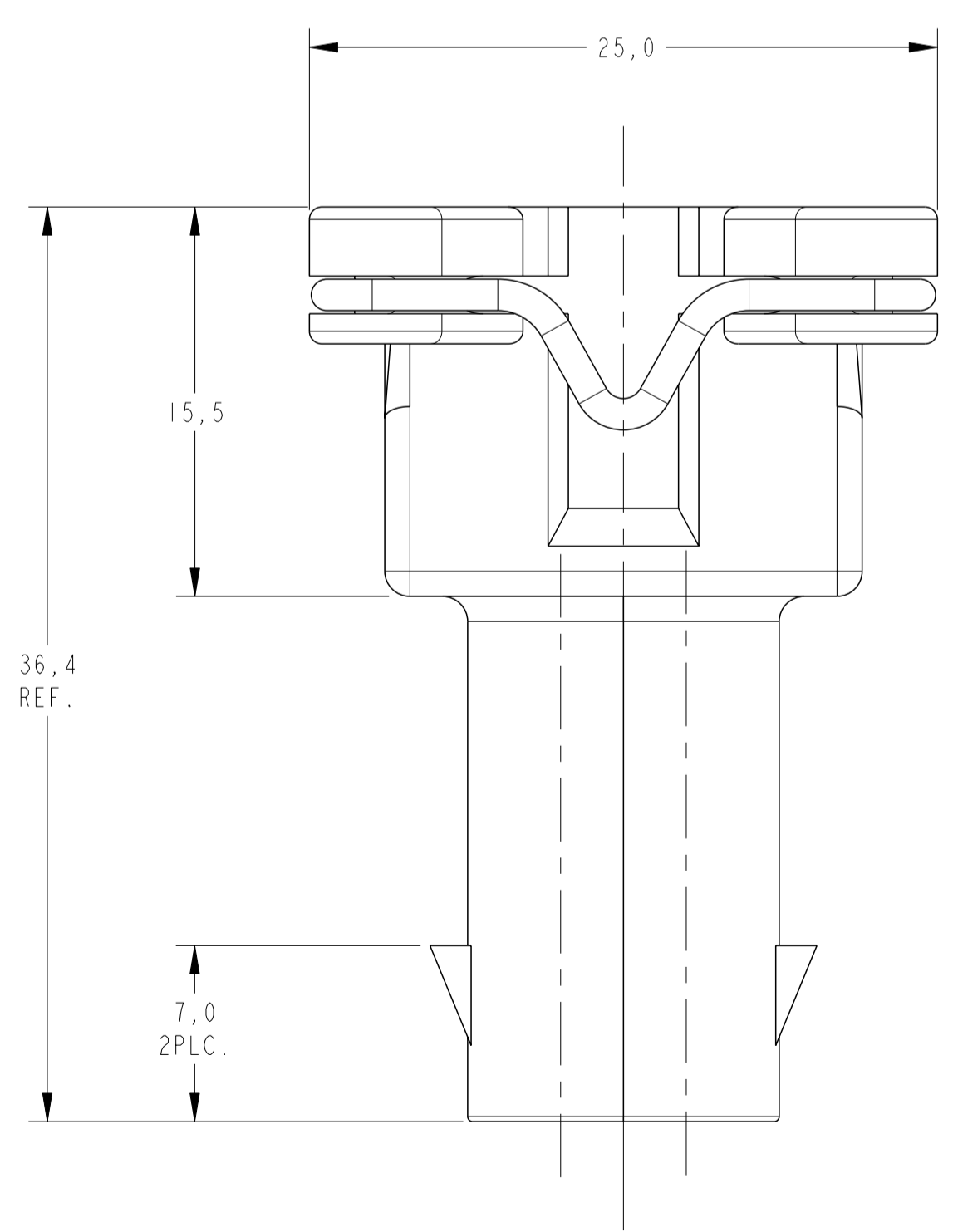


LOC	DIST	REVISIONS					
AP	-	P.	LTH	DESCRIPTION	DATE	DWN	APVD
E				REVISED DESIGN ECO-12-003644	23FEB2012	NCL	GOJ
E1				REVISED DESIGN ECO-12-009326	17MAY2012	NCL	GOJ



PERSPECTIVE VIEWS
SCALE 2:1



CONSTRUÇÃO OPCIONAL TE BRASIL
TE BRAZIL OPTIONAL CONSTRUCTION

△ - OS ITENS 1 E 2 SÃO FORNECIDOS COMO MOSTRADO. △ - ITENS 1 AND 2 ARE SUPPLIED AS SHOWN.
 2 - CAVIDADE PARA TERMINAL JUNIOR POWER TIMER COM "WIRE SEAL". 2 - CAVITY FOR JUNIOR POWER TIMER WITH "WIRE SEAL".

GRAVAÇÃO MARKING
LOGOTIPO AMP AMP LOGO
CÓDIGO PAÍS PRODUTOR MANUFACTURER COUNTRY CODE
NÚMERO COMPONENTE TE TE COMPONENT NUMBER
NÚMERO CAVIDADE CAVITY NUMBER
IDENTIFICAÇÃO CIRCUITO CIRCUIT IDENTIFICATION

ITEM	DESCRIPTION	MATERIAL	FINISH
1	4 SPRING	AÇO INOX - SST	---
1	3 RUBBER SEAL	SILICONE	LARANJA/ORANGE
1	2 SPACER	P. B. T	AMARELO/YELLOW
1	HOUSING, 2 POSN., JUNIOR POWER TIMER	P. B. T + 30% FV/GF	VERDE/GREEN
1	HOUSING, 2 POSN., JUNIOR POWER TIMER	P. B. T + 30% FV/GF	AMARELO/YELLOW
1	HOUSING, 2 POSN., JUNIOR POWER TIMER	P. B. T + 30% FV/GF	AZUL/BLUE
1	HOUSING, 2 POSN., JUNIOR POWER TIMER	P. B. T + 30% FV/GF	MARRON/BROWN
1	HOUSING, 2 POSN., JUNIOR POWER TIMER	P. B. T + 30% FV/GF	CINZA CLARO/LIGHT GRAY
1	HOUSING, 2 POSN., JUNIOR POWER TIMER	P. B. T + 30% FV/GF	VERMELHO/RED
1	HOUSING, 2 POSN., JUNIOR POWER TIMER	P. B. T + 30% FV/GF	NATURAL
1	HOUSING, 2 POSN., JUNIOR POWER TIMER	P. B. T + 30% FV/GF	PRETO/BLACK

THIS DRAWING IS A CONTROLLED DOCUMENT. DWN: N. C. LAPRESA 10NOV99
 CHK: P. L. FARIA 20NOV99
 APVD: J. M. M. NETO 20NOV99

STE TE Connectivity

HOUSING, ASSY, 2 POSN., JUNIOR POWER TIMER

SIZE: A1 CAGE CODE: 00779 DRAWING NO: 444079 RESTRICTED TO: -
 WEIGHT: - SCALE: - SHEET: 1 OF 1 REV: E1