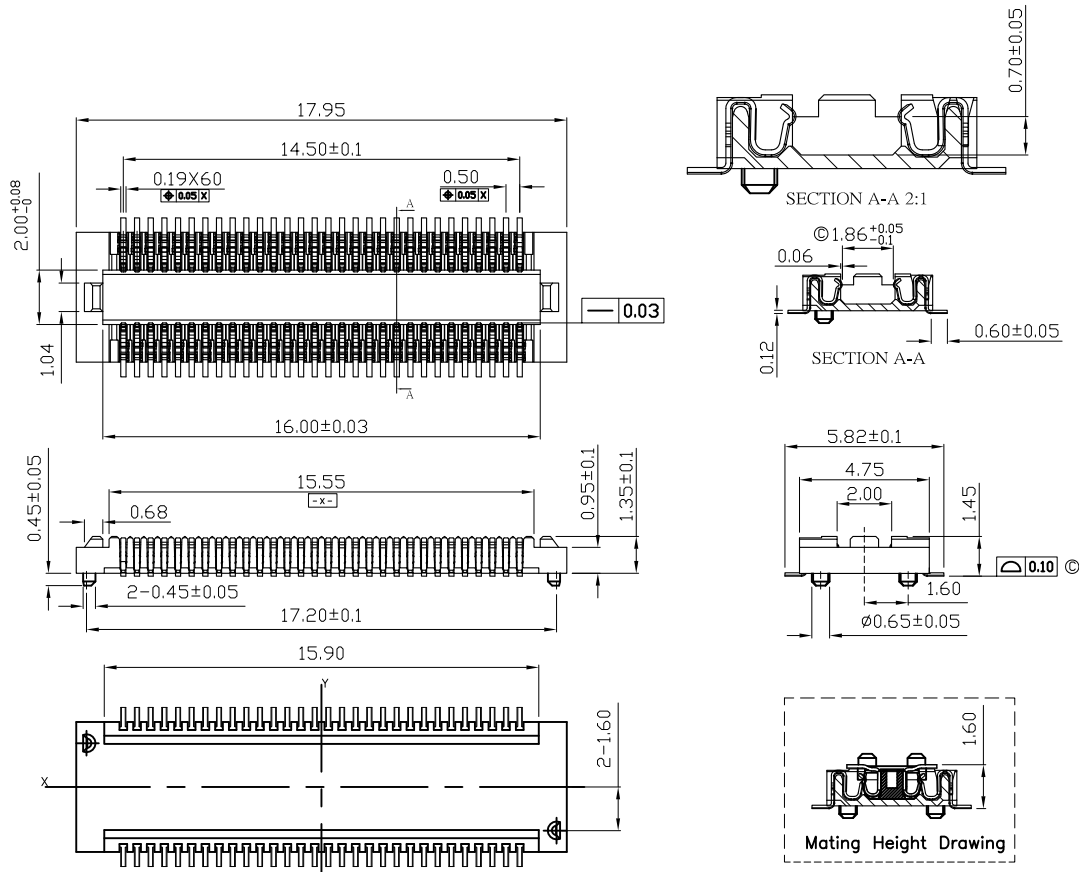


REV.	DESCRIPTION	DATE
A	New Drawing	2013/02/01

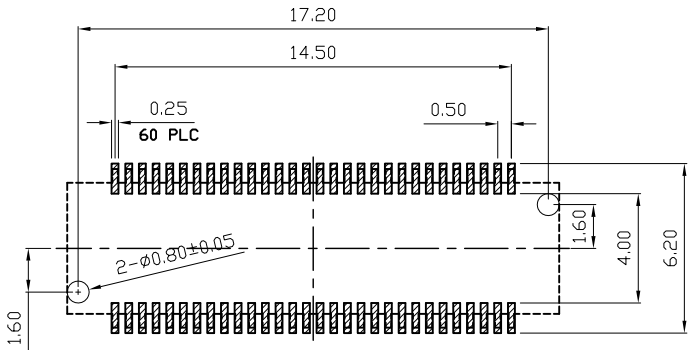
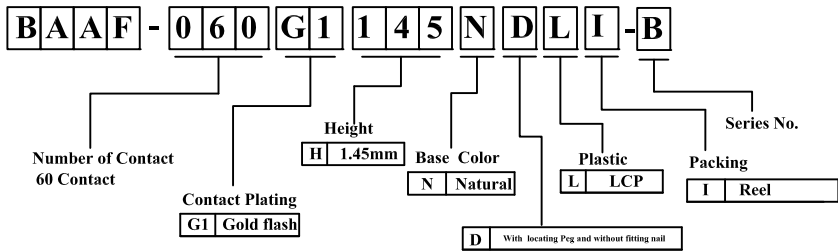


Compliance with:  
 PCIe4.0(GT/S),  
 USB3.2 Gen2(10Gbps),  
 USB3.2 Gen2 Type C(10Gbps)  
 Mating with:  
 "BBAF-060G1125NDLI-B"

MARKD©:DIMENSIONS. NEED.BE MEASURED IN CPK.

LTR	Part Name	Material	Description	QTY
1	Housing	LCP UL94V-0	260°C for 10 Seconds. Initial : 1000M Ohms Min.	1
2	Contact	Bronze C5191	Current Rating : 0.5 A Initial : 30m Ohms Max.	60

Temperature Rating : -40°C ~ +105°C .  
 Dielectric Withstanding Voltage : 300 V AC/Min



▨ : STAND OFF AREA  
 TOLERANCE: ±0.05  
 RECOMMENDED PCB LAYOUT  
 (TOP VIEW)

RoHS compliant

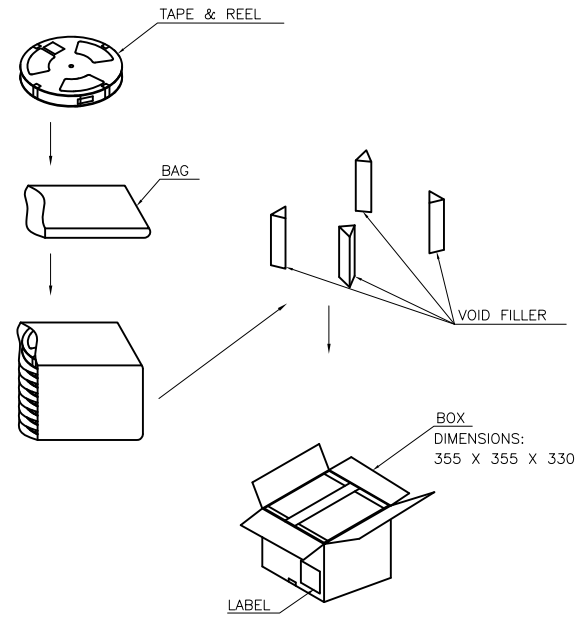
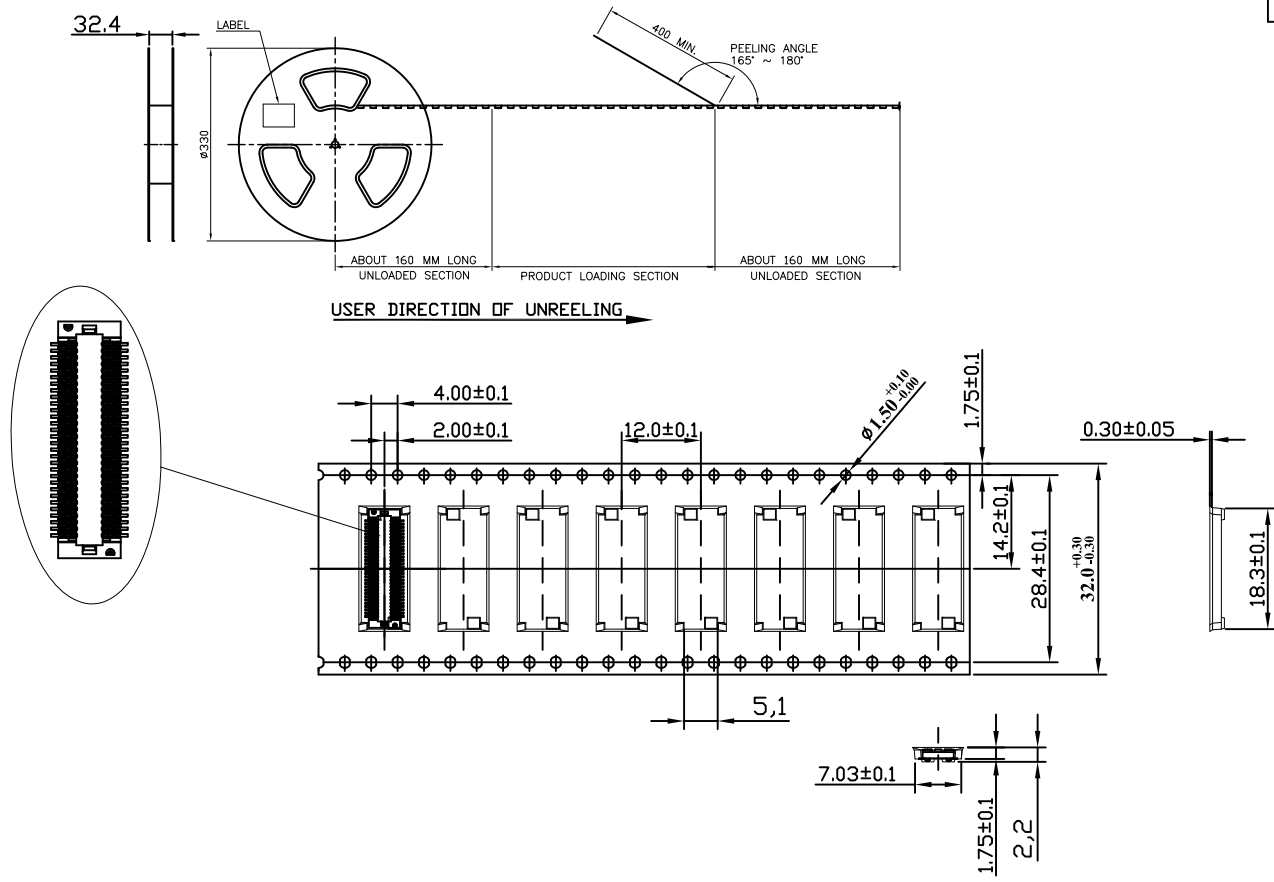
**Superior Tech Co., Ltd.**

General Tolerance		TITLE		PH.05 BTOB H1.45 60PIN Female	
X.	± 0.5	DRAWN	Tom	DATE	NO.
.X	± 0.3			02-01-13'	002
.XX	± 0.2	CHECK	APPROVED	DATE	PART NO.
.XXX	± 0.1				BAAF-060G1145NDLI-B
Angle	± 5°			DATE	CUSTOMER NO.
					DK

REV.	UNIT	SCALE	
A	mm	1:1	

(Q2-R03-01A) ST-R05-07

REV.	DESCRIPTION	DATE
A	New Drawing	2013/06/03



Note:  
 1.All dimensions meet EIA-481-C requirements.  
 2.Thickness : 0.3±0.05mm

PIN No.	PCS/R	R/CTN
60PIN	2500 PCS	8 R

RoHS compliant

<b>Superior Tech Co., Ltd.</b>			General Tolerance		TITLE BAAF-060G1145NDLI-B-Packing	
			X. ± 0.5	DRAWN Tom	DATE 2013/06/03	NO. 002
REV. A UNIT mm SCALE 1:1			.X ± 0.3		CHECK	PART NO. BAAF-060G1145NDLI-B
			.XX ± 0.2		APPROVED	CUSTOMER NO. DK
			.XXX ± 0.1		DATE	
			Angle ± 5°			
(Q2-R03-01A) ST-R05-07						