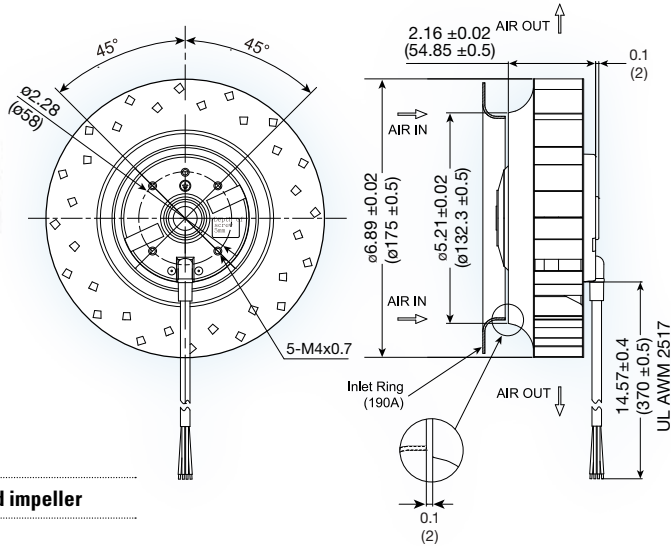
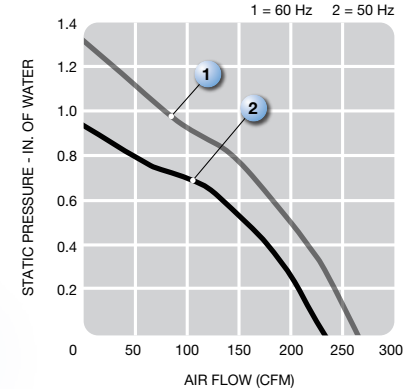


# UF175AMA series



**(175 dia. x 55 mm)**  
6.89 dia. x 2.16 inches



**Features:** backward curved impeller

**Operating voltage:** 115 or 230 VAC

**Construction:** aluminum die cast motor base;  
steel impeller

**Bearing option:** ball bearing

**Motor:** permanent split capacitor  
required capacitor included

**Air Flow:** centrifugal

**Connection:** 22 AWG lead wires

**Protection:** thermal

Model No.	Rated Voltage V	Freq. HZ	Input Power W	Rated Cur. A	Locked Cur. A	Speed RPM	Air Volume		Max. Static Pressure (H <sub>2</sub> O)		Sound Noise dBa	Weight kg
							M <sup>3</sup> /Min.	CFM	MM	INCH		
UF175AMA12-H1C2A	115	50	60	0.55	0.82	2,550	6.5	230	23	0.9	66	1.3
	115	60	66	0.55	0.84	2,900	7.5	265	33	1.3	70	1.3
UF175AMA23-H1C2A	230	50	60	0.27	0.41	2,550	6.5	230	23	0.9	66	1.3
	230	60	66	0.28	0.42	2,900	7.5	265	33	1.3	70	1.3