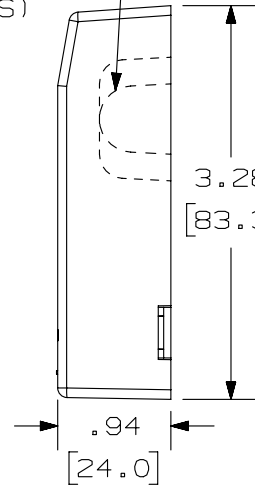
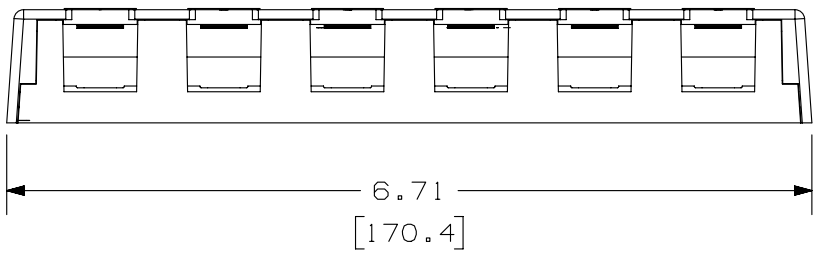
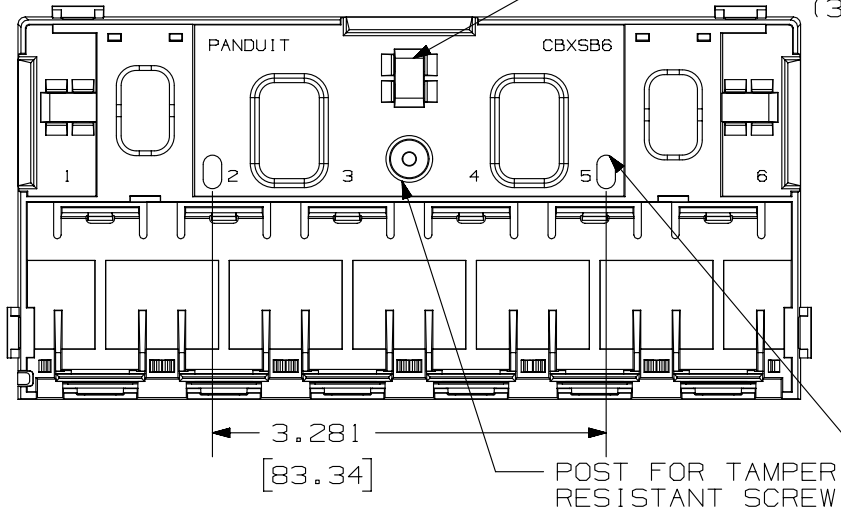


THIS COPY IS PROVIDED ON A RESTRICTED BASIS AND IS NOT TO BE USED IN ANY WAY DETRIMENTAL TO THE INTERESTS OF PANDUIT CORP.

COVER REMOVED FOR CLARITY

PAN-TY LOOPS FOR CABLE HOLD-DOWNS (3 PLACES)

BREAKOUT AREA (3 PLACES)



- NOTES:
1. SEE CURRENT CATALOG FOR ADDITIONAL PART NUMBER SUFFIXES TO INDICATE COLOR AND OR PACKAGE QUANTITY.
 2. SEE CATALOG FOR A COMPLETE LIST OF PARTS APPLICABLE FOR USE WITH THIS PART.
 3. DIMENSIONS IN [] ARE IN METRIC.
 4. BOX INCLUDES:
 - 1- BOX BASE
 - 1- BOX COVER
 - 2- PLT1.5I-M PAN-TY
 - 1- LABEL/ LABEL COVER
 - 2- MOUNTING SCREW
 - 1- MOUNTING SCREW (USED TO SECURE COVER TO BASE)
 - 2- STRIP OF 1.00" X .75" FOAM TAPE FOR MOUNTING
 - 1- STRIP OF 3.00" X .75" FOAM TAPE FOR MOUNTING
 5. BASE HAS TWO POCKETS FOR OPTIONAL MAGNET (CSBM-X)
 6. BREAKOUTS DESIGNED TO ACCEPT LD3/LDPH3 AND LD5/LDPH5 RACEWAY.
 7. BASE MATERIAL THICKNESS= .090 [2.29].

PANDUIT P/N	WEIGHT
CBXS6**-AY	1.57 LB/10 PCS (712.8 g/10 PCS)

NO WARRANTY, EXPRESSED OR IMPLIED, IS MADE BY PANDUIT WITH RESPECT TO ADHESIVE BOND PERFORMANCE. AMONG OTHER THINGS, THE CONDITIONS UNDER WHICH THESE MOUNTS MAY BE APPLIED AND/OR THE SURFACE TO WHICH THEY MAY BE APPLIED ARE BEYOND PANDUIT'S CONTROL.

PART NUMBER		CBXS6**-AY	
TITLE			
MINI-COM 6 POSITION SHUTTERED SURFACE MOUNT BOX			
CUSTOMER DRAWING			
ITEM REVISION NAME		M02479EV/02	
DATASET FILE NAME		M02479EV_DC128/02A	
UNLESS OTHERWISE SPECIFIED, DIMENSIONAL TOLERANCES ARE: IN [mm]		MATERIAL:	
.x ± .xx ± .03 [.8]		BOX: ABS DOORS: PC	
.xxx ± .010 [.3]		DRAWING NUMBER:	
ANGLES ±		02479-128	
THIRD ANGLE PROJECTION		SHT 1 OF 1	
DRAWN BY	DATE	CHK	SCALE
JSP	12-27-06	MJD	NONE
REV	DATE	BY	CHK
1	3/19/14	JSP	REFR
R	12-27-06	JSP	MJD
DESCRIPTION		ECN	
A. REVISED DRAWING TITLE BLOCK.		02479-128	
RELEASED TO PRODUCTION		02479-128	

D10100DA/14

2

1

2

1