

6

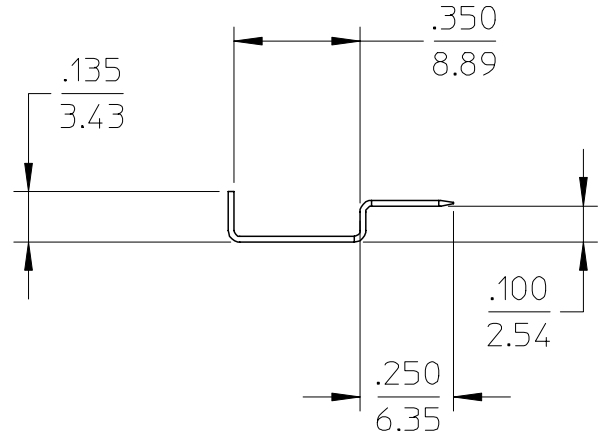
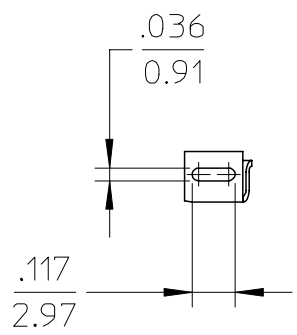
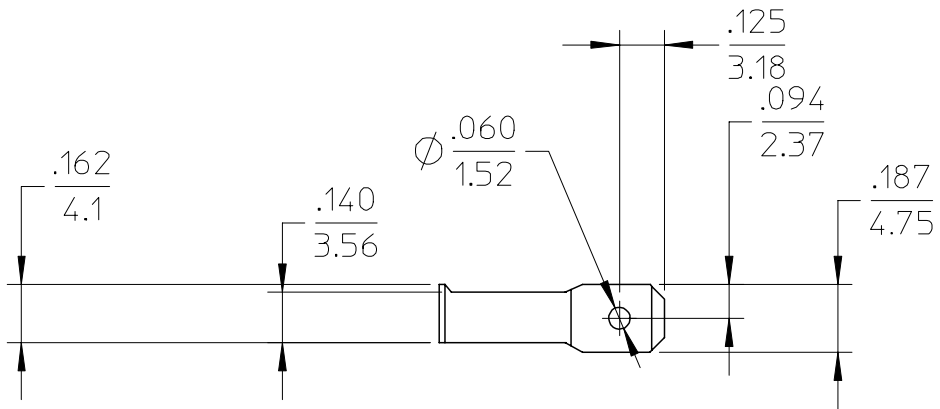
5

4

3

2

1



# SALES DRAWING

MATERIAL:  
CDA 26000 BRASS  
THICKNESS: .016

RELEASE FOR PROD	DESCRIPTION
EC NO: ETC2006-0039	2005/09/13
DRWN: JLOMASTRO	2005/09/13
CHKD: RDEROSS	2005/09/13
APPR: JPAWLICK	2005/09/14
A	REV

QUALITY SYMBOLS
= 0
= 0

GENERAL TOLERANCES (UNLESS SPECIFIED)		
	mm	INCH
4 PLACES	± .005	± .0005
3 PLACES	± .003	± .0003
2 PLACES	± 0.13	± .01
1 PLACE	± 0.25	± .01
ANGULAR ± 1/2°		
DRAFT WHERE APPLICABLE MUST REMAIN WITHIN DIMENSIONS		

DIMENSION STYLE	
IN	MM
DRAWN BY	DATE
JLOMASTRO	05/09/08
CHECKED BY	DATE
RDEROSS	05/09/08
APPROVED BY	DATE
RDEROSS	05/09/08
MATERIAL NO.	190430007
SIZE	A

SCALE	DESIGN UNITS	THIRD ANGLE PROJECTION
2:1	INCH	
TITLE		
BLADE MINI FUSE CONNECTOR		
MOLEX INCORPORATED		
DOCUMENT NO.	SHEET NO.	
SD-19043-004	1 OF 1	
THIS DRAWING CONTAINS INFORMATION THAT IS PROPRIETARY TO MOLEX INCORPORATED AND SHOULD NOT BE USED WITHOUT WRITTEN PERMISSION		

5

4

3

2

1