



**ANATECH ELECTRONICS INC**  
RF & Microwave Filters & Products

## 2 MHz LC Bandpass Filter

Part Number: AE2B9593



### Electrical Specifications

**Center Frequency:** 2 MHz  
**Bandwidth:** 1 MHz  
**Passband :** 1.5 MHz to 2.5 MHz  
**Insertion Loss:**  $\leq 2$  dB  
**Return Loss:**  $>15$  dB @ 1.8 MHz to 2.2 MHz  
**Rejection:**  $>50$  dB @ 1 MHz  
**Rejection2:**  $>50$  dB @ 3.7 MHz  
**Impedance:** 50 Ohms

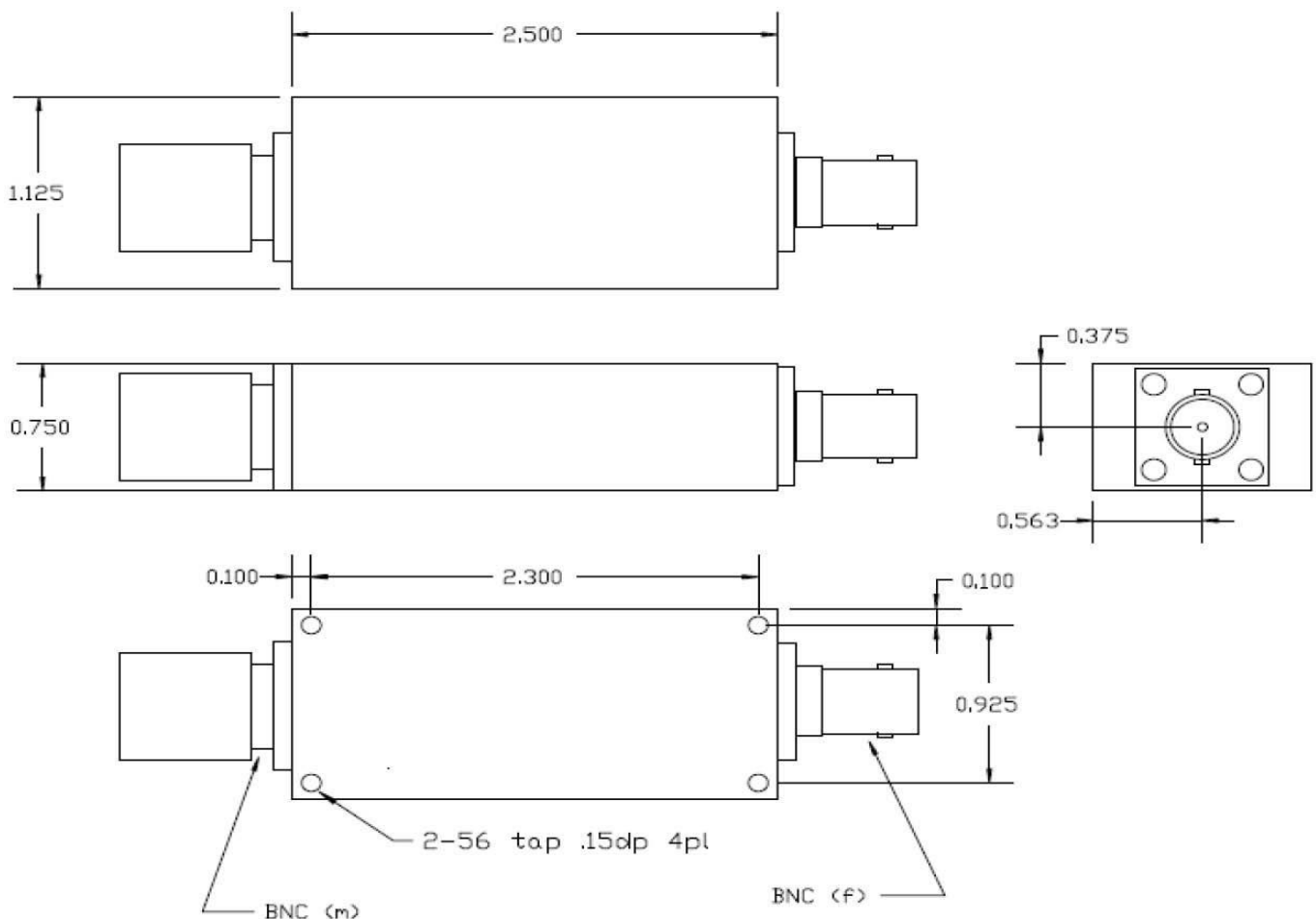
### Mechanical

**Connector Type:** BNC(Male) & BNC(Female)  
**Dimensions:** 2.5" x 1.125" x 0.750" in.

### Environmental

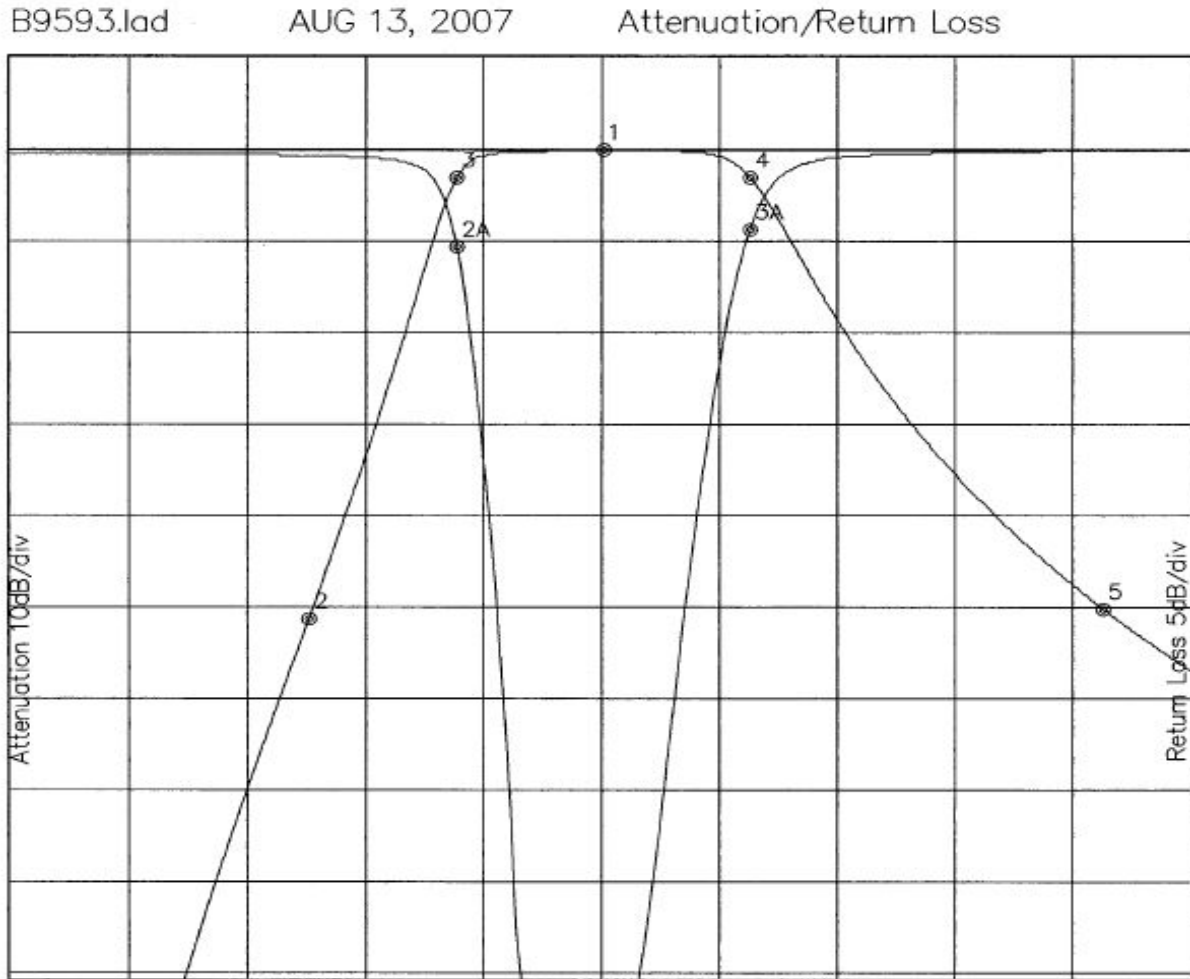
**Operating Temperature:**  $-25^{\circ}\text{C}$  to  $+70^{\circ}\text{C}$   
**Storage Temperature:**  $-40^{\circ}\text{C}$  to  $+90^{\circ}\text{C}$   
**Shock:** 10 G. 11ms  
**Vibration:** 10 G. 5 to 200Hz

### Outline Drawing:





### Response Plot:



Attenuation Start: 0.0Hz    Stop: 4.0MHz

Return Loss Start: 0.0Hz    Stop: 4.0MHz

Offset -0.6521dB

Marker 1 Freq 2.003MHz Atten -0.036dB  
Marker 2 Freq 1.002MHz Atten -51.214dB  
Marker 3 Freq 1.506MHz Atten -3.003dB  
Marker 4 Freq 2.501MHz Atten -3.014dB  
Marker 5 Freq 3.703MHz Atten -50.210dB

Marker 1A Freq 2.003MHz Ret Loss -55.197dB  
Marker 2A Freq 1.506MHz Ret Loss -5.374dB  
Marker 3A Freq 2.501MHz Ret Loss -4.330dB