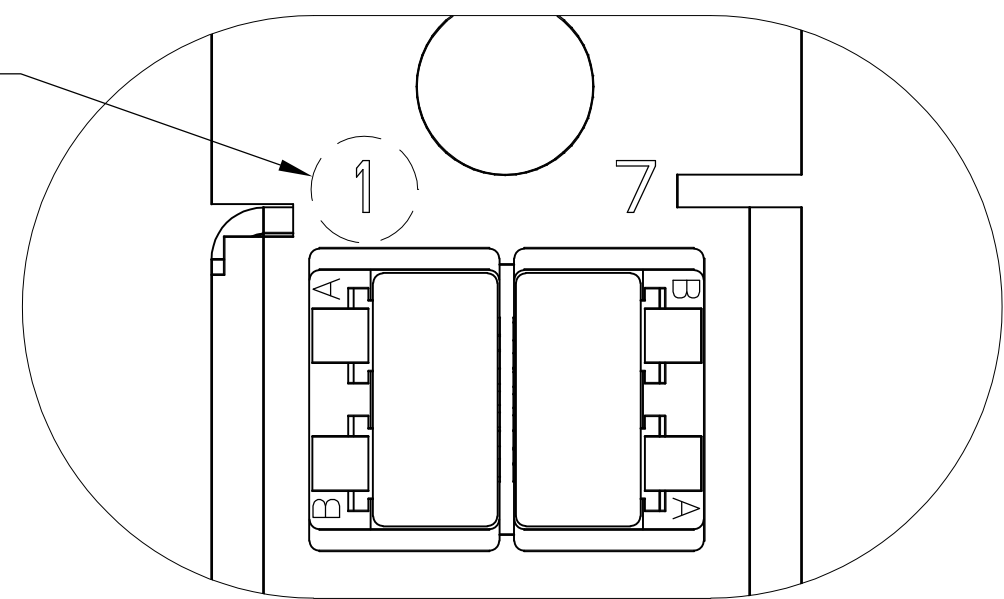
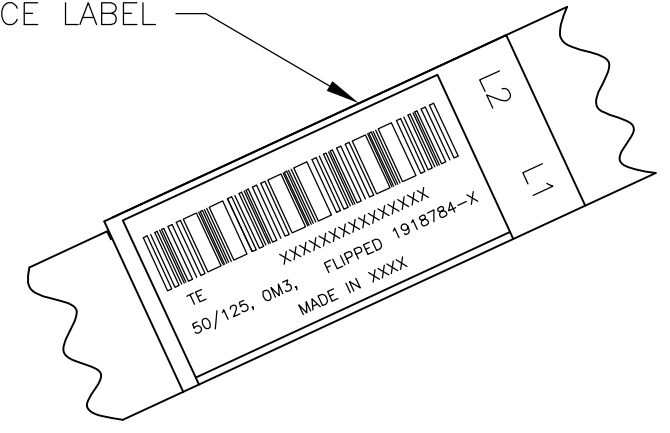
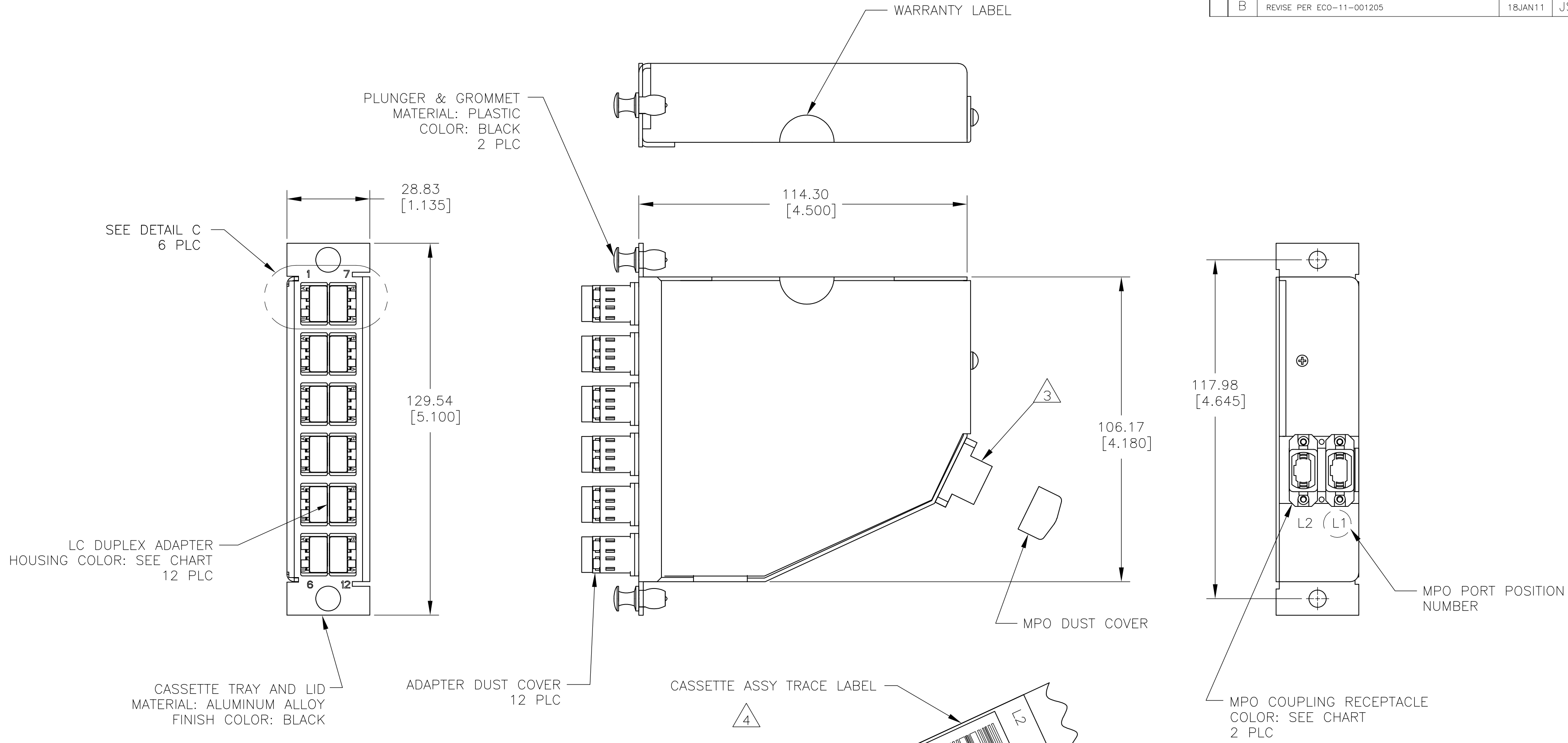


LOC	DIST	REVISIONS					
CE	16	P	LTR	DESCRIPTION	DATE	DWN	APVD
		B		REVISE PER ECO-11-001205	18JAN11	JS	JS

D
C
B
A

D
C
B
A



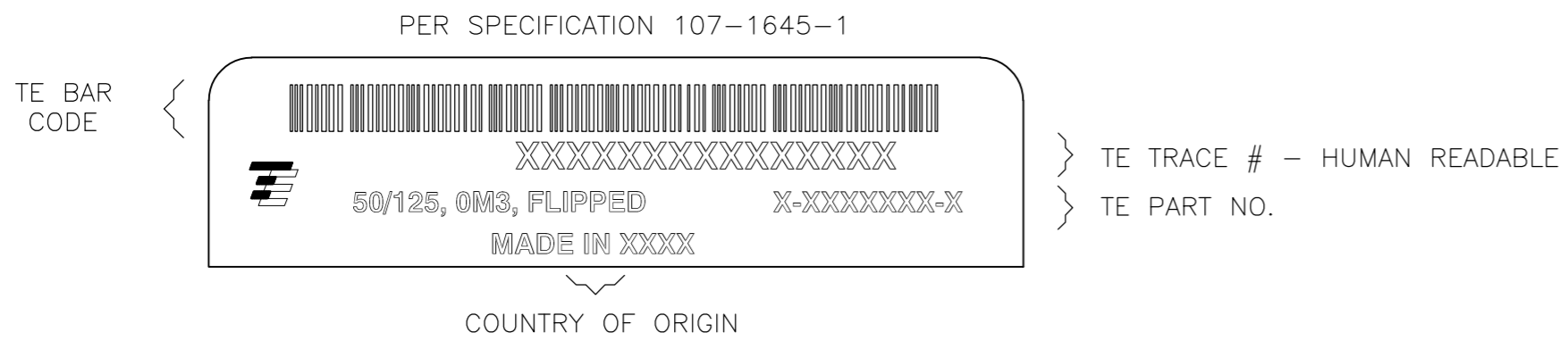
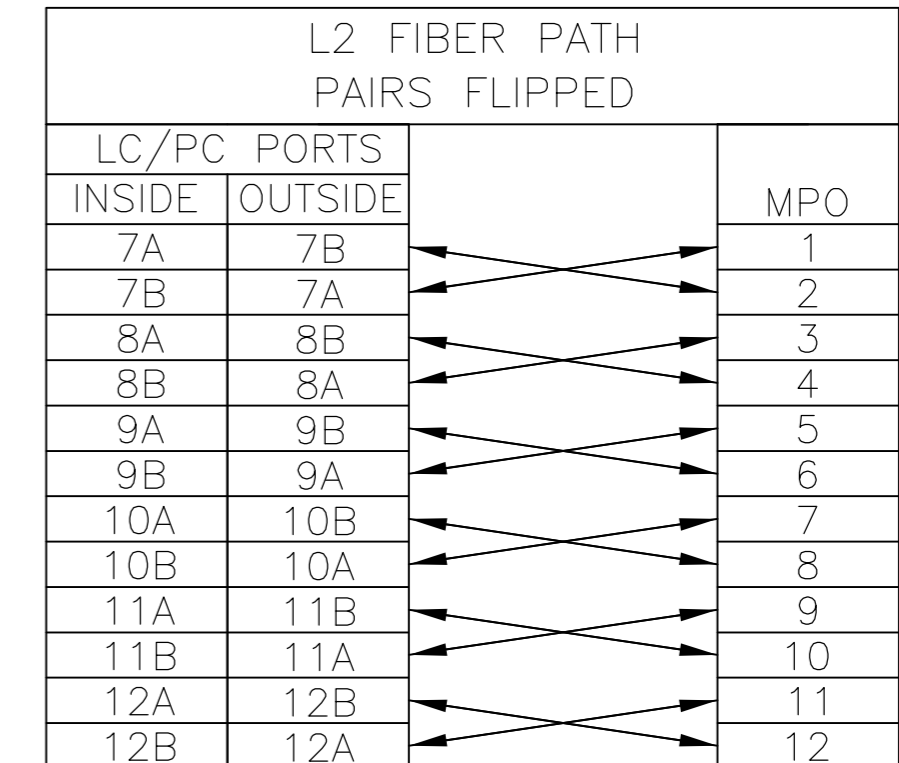
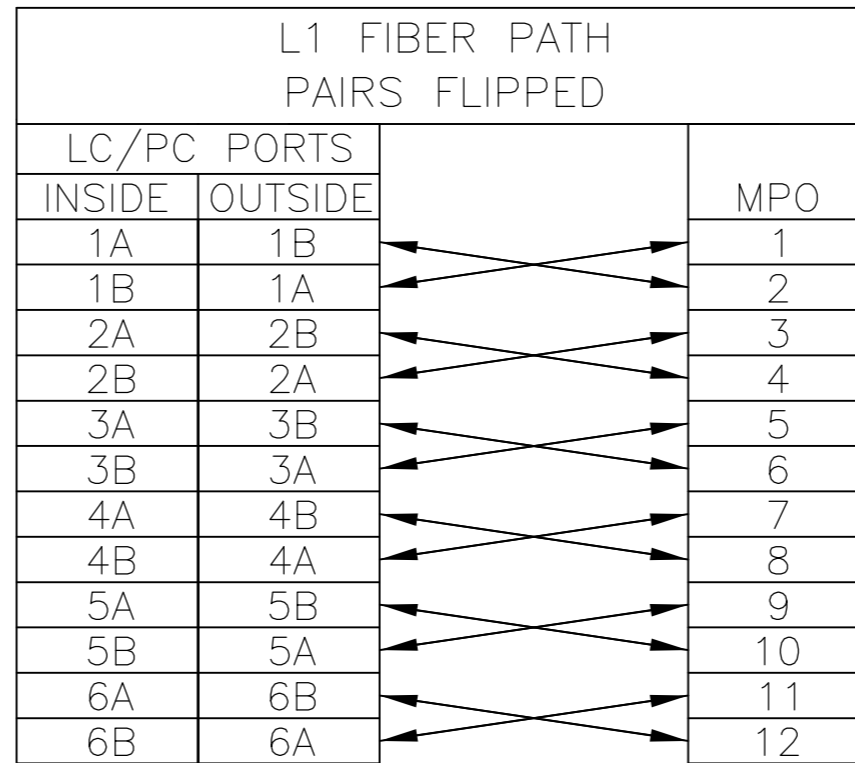
THIS DRAWING IS A CONTROLLED DOCUMENT.		DWN J.W.DAVIS 03NOV06	Tyco Electronics Corporation Harrisburg, PA 17105-3608	
DIMENSIONS: mm [INCHES]		CHK D. FENNELL 03NOV06	NAME CASSETTE ASSEMBLY, 24 FIBER 50/125um OM3 MPO - LC PAIRS FLIPPED	
TOLERANCES UNLESS OTHERWISE SPECIFIED: 0 PLC ± - 1 PLC ± - 2 PLC ± - 3 PLC ± - 4 PLC ± - ANGLES ± -		APVD D. FENNELL 03NOV06	PRODUCT SPEC APPLICATION SPEC	
MATERIAL FINISH		WEIGHT -	SIZE A2	CAGE CODE 00779
		DRAWING NO 1918784		RESTRICTED TO
		CUSTOMER DRAWING		SCALE NTS
		SHEET 1 of 2		REV B

1918784

THIS DRAWING IS UNPUBLISHED. RELEASED FOR PUBLICATION
 © COPYRIGHT BY TYCO ELECTRONICS CORPORATION. ALL RIGHTS RESERVED.

LOC	DIST	REVISIONS			
P	LTR	DESCRIPTION	DATE	DWN	APVD
CE	16	SEE SHEET 1	-	-	-


- MAXIMUM CABLE ASSEMBLY INSERTION LOSS IS 1.00dB WHEN TESTED AT 850nm OR 1300nm.
- MINIMUM CABLE ASSEMBLY RETURN LOSS IS 23dB WHEN TESTED AT 850nm OR 1300nm.
- WHITE MARKING ON MPO TO BE FACING TOWARD TOP OF CONNECTOR MODULE. WHITE MARK INDICATES FIBER 1 SIDE
- SEE TRACE LABEL DETAIL
- A COPY OF CASSETTE ASSEMBLY LOSS TEST DATA WILL BE PLACED INSIDE OR WITH THE UNIT PACKAGE. CASSETTES WILL BE TESTED AT 850nm WAVELENGTH.
- PRODUCT AND PROCESSING MUST MEET REQUIREMENTS OF TYCO ELECTRONICS STANDARD TEC-138-702



4 TRACE LABEL DETAIL

AQUA SECURE	AQUA SECURE	1-1918784-1
SLATE SECURE	SLATE SECURE	1-1918784-0
ROSE SECURE	ROSE SECURE	1918784-9
VIOLET SECURE	VIOLET SECURE	1918784-8
BROWN SECURE	BROWN SECURE	1918784-7
ORANGE SECURE	ORANGE SECURE	1918784-6
YELLOW SECURE	YELLOW SECURE	1918784-5
BLUE SECURE	BLUE SECURE	1918784-4
GREEN SECURE	GREEN SECURE	1918784-3
RED SECURE	RED SECURE	1918784-2
BLACK STANDARD	AQUA STANDARD	1918784-1
MPO COUPLING BUSHING COLOR & TYPE	LC ADAPTER COLOR & TYPE	PART NUMBER

THIS DRAWING IS A CONTROLLED DOCUMENT.

DWN J.W.DAVIS 03NOV06	 Tyco Electronics Corporation Harrisburg, PA 17105-3608
CHK D. FENNELL 03NOV06	
APVD D. FENNELL 03NOV06	
PRODUCT SPEC	
APPLICATION SPEC	NAME CASSETTE ASSEMBLY, 24 FIBER 50/125um OM3 MPO - LC PAIRS FLIPPED
MATERIAL	SIZE A2 CAGE CODE 00779 DRAWING NO. C=1918784 RESTRICTED TO
FINISH	SCALE NTS SHEET 2 OF 2 REV B
WEIGHT	CUSTOMER DRAWING

1918784