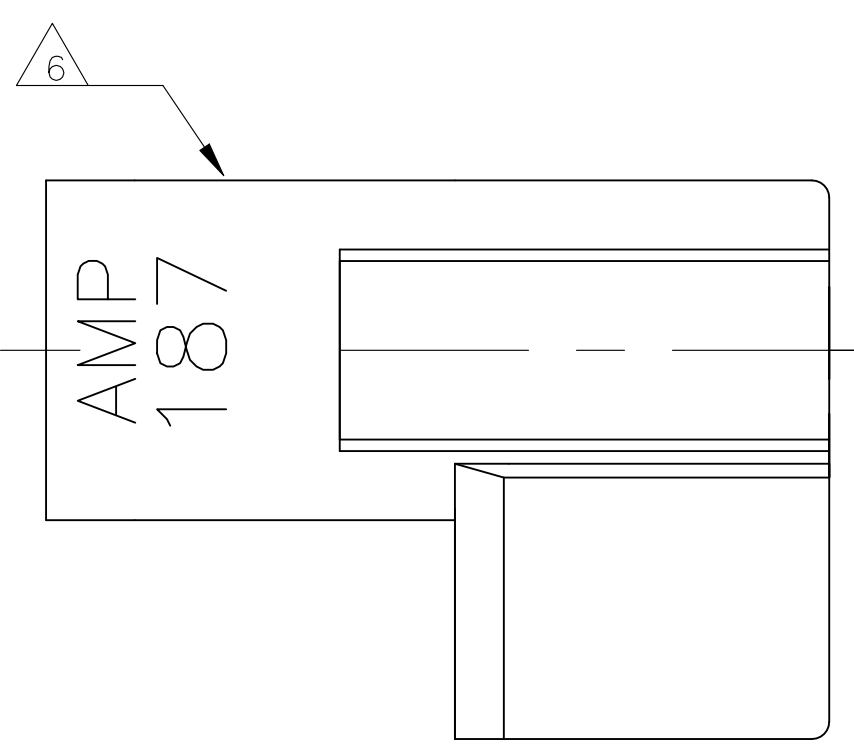
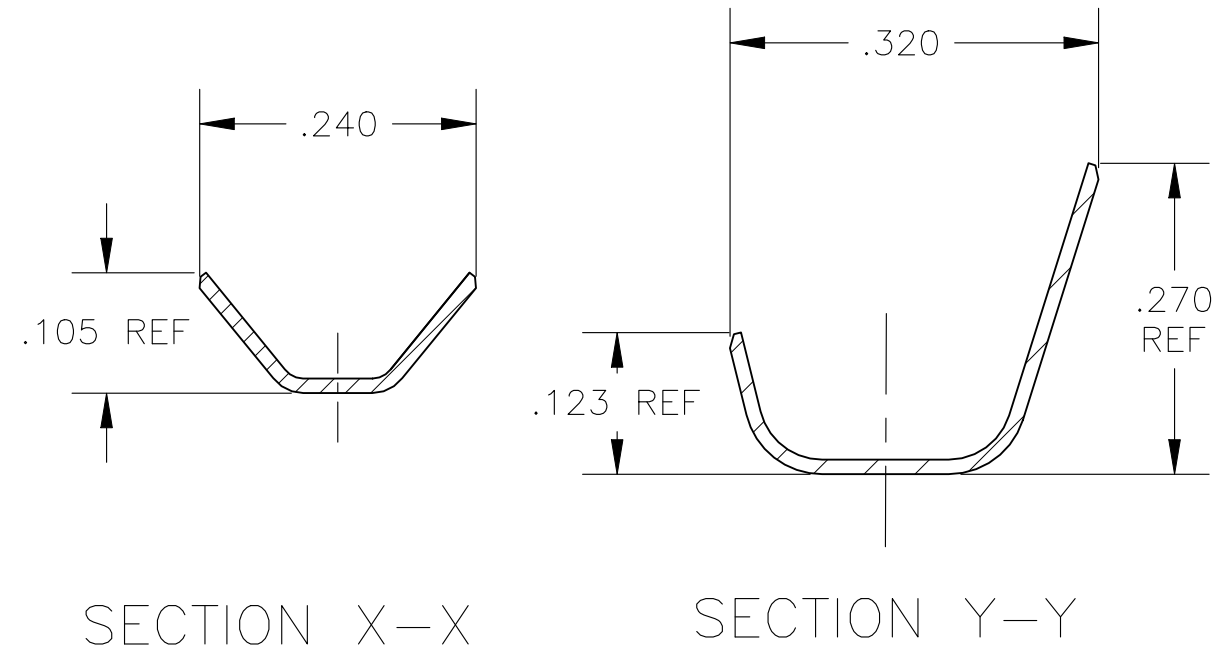
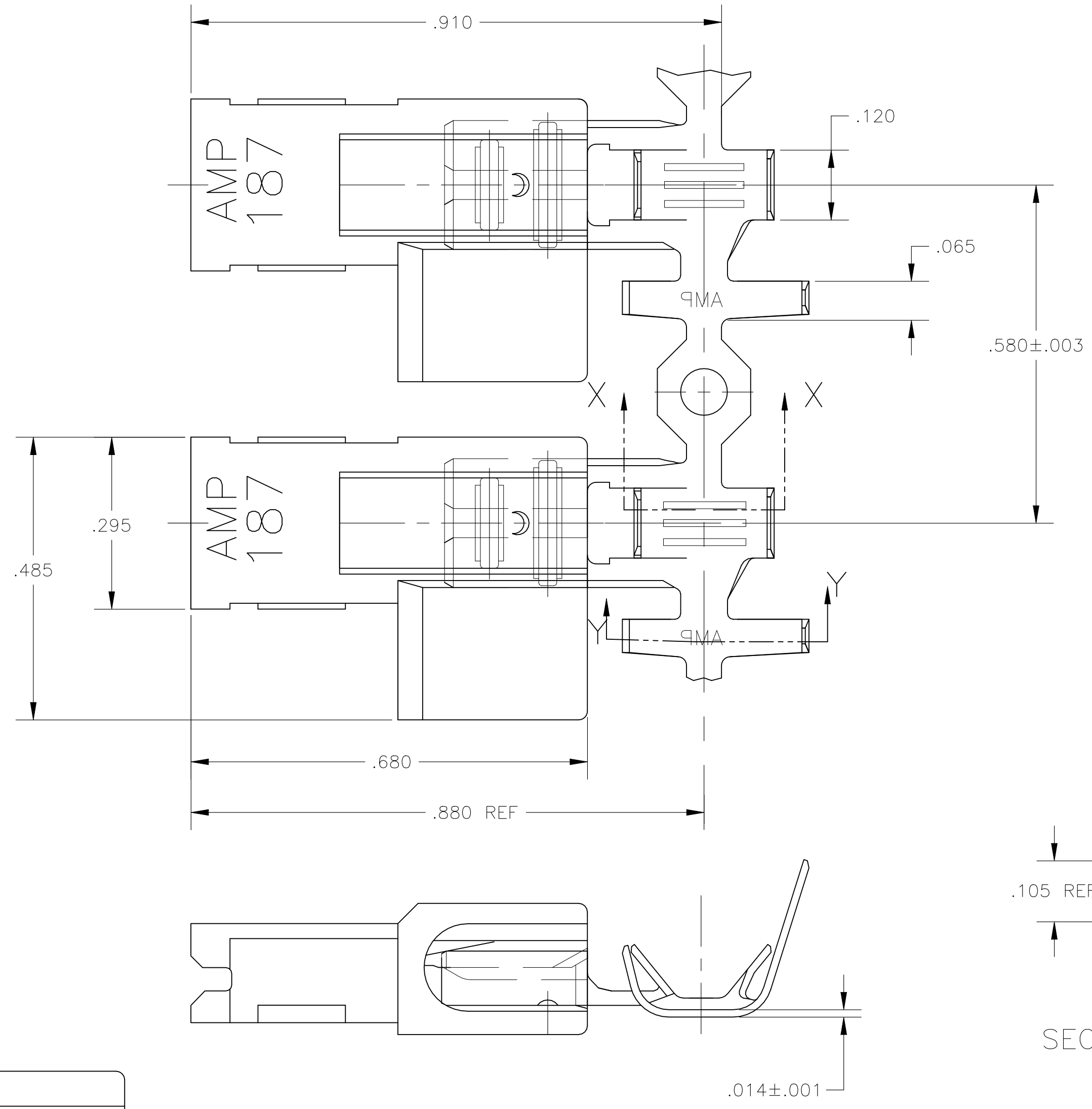


REVISIONS					
P	LTR	DESCRIPTION	DATE	DWN	APVD
J2		REVISED PER ECR-22-160893	15DEC2022	DB	BW

- 2 WIRE SIZES & COMBINATIONS: #18, #16, #14, (2)#20, (2)#18
- 3 INSULATION RANGE IS .110-.150 DIA OR TWO AT .110 MAX DIA.
- 4 MATERIAL;
TERMINAL: BRASS, FINISH SEE TABLE
HOUSING: 6/6 NYLON, NATURAL COLOR (WHITE)
- 5 FITS .187 X .020 THK FASTON TAB
- 6 ALTERNATIVE HOUSING FORM



TIN PLATE	521597-2
NO PLATING	521597-1
TERMINAL: FINISH	PART NO.

SUPERSEDED BY 521597-2

THIS DRAWING IS A CONTROLLED DOCUMENT.		DWN	JR RUTH	30JUL03
DIMENSIONS: INCHES		CHK	J HUMMEL	24JUL03
TOLERANCES UNLESS OTHERWISE SPECIFIED:		APVD	KRISTY YI	24JUL03
0 PLC	± -	PRODUCT SPEC	108-2215	
1 PLC	± -	APPLICATION SPEC	114-2124	
2 PLC	± -	WEIGHT	0.000000	
3 PLC	± .010	SIZE	A2	00779
4 PLC	± -	CAGE CODE	C=521597	
ANGLES	± -	DRAWING NO	521597	
FINISH	SEE NOTES	RESTRICTED TO	-	
MATERIAL	SEE NOTES	SCALE	6:1	SHEET 1 of 1
CUSTOMER DRAWING		REV	J2	



ASSEMBLY, RECPT, FLAG, ULTRA-POD, .187 SERIES 18-14 AWG, VO HOUSING