

FP 0,8/ 12-MV 7,15 - SMD male connectors



1154017

<https://www.phoenixcontact.com/us/products/1154017>

Please be informed that the data shown in this PDF document is generated from our online catalog. Please find the complete data in the user documentation. Our general terms of use for downloads are valid.



SMD male connector, nominal current: 1.7 A, Test voltage: 500 V AC, number of positions: 12, pitch: 0.8 mm, color: black, contact surface: Gold, contact connection type: Pin, mounting: SMD soldering

Your advantages

- Gold-plated contacts ensure transfer quality remains stable over the long term
- Reliable mechanical and electrical connections, thanks to the double-sided ScaleX contact system
- Robustness: ScaleX technology for high tolerance compensation and protection of contacts
- Flexible device design: various numbers of positions, designs, and stack heights with high wipe lengths

Commercial data

| | |
|--------------------------------------|---------------|
| Item number | 1154017 |
| Packing unit | 1 pc |
| Minimum order quantity | 300 pc |
| Sales key | AA23 |
| Product key | AAWGDD |
| GTIN | 4063151154554 |
| Weight per piece (including packing) | 2.819 g |
| Weight per piece (excluding packing) | 2.22 g |
| Customs tariff number | 85366930 |
| Country of origin | CN |

FP 0,8/ 12-MV 7,15 - SMD male connectors



1154017

<https://www.phoenixcontact.com/us/products/1154017>

Technical data

Product properties

| | |
|---------------------|---------------------|
| Product type | SMD male connector |
| Product family | FP 0,8/...-MV 7,15 |
| Number of positions | 12 |
| Pitch | 0.8 mm |
| Number of rows | 2 |
| Pin layout | Linear pad geometry |

Electrical properties

| | |
|-----------------------|---|
| Nominal current I_N | 1.7 A IEC 60512-5-2:2002-02 (at 20°C 80-pos.) |
| Degree of pollution | 3 |
| Contact resistance | 25 mΩ |
| Test voltage | 500 V AC IEC 60512-4-1:2003 |

Mounting

| | |
|---------------|---------------------|
| Mounting type | SMD soldering |
| Pin layout | Linear pad geometry |

Processing notes

| | |
|--------------------------|-------|
| Moisture Sensitive Level | MSL 1 |
|--------------------------|-------|

Material specifications

Material data - contact

| | |
|---|--|
| Note | WEEE/RoHS-compliant, free of whiskers according to IEC 60068-2-82/JEDEC JESD 201 |
| Contact material | Cu alloy |
| Surface characteristics | Selective coating |
| Metal surface contact area (top layer) | Gold (Au) |
| Metal surface contact area (middle layer) | Nickel (Ni) |
| Metal surface soldering area (top layer) | Tin (Sn) |
| Metal surface soldering area (middle layer) | Nickel (Ni) |

Material data - housing

| | |
|--|--------------|
| Color (Housing) | black (9005) |
| Insulating material | LCP |
| Insulating material group | IIIb |
| CTI according to IEC 60112 | 150 |
| Flammability rating according to UL 94 | V0 |

Notes

FP 0,8/ 12-MV 7,15 - SMD male connectors

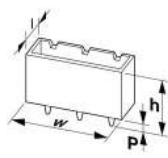


1154017

<https://www.phoenixcontact.com/us/products/1154017>

| | |
|---------------------------------|--|
| Notes on operation | The permissible voltage during operation depends on the application, taking into consideration the air clearances and creepage distances within the scope of insulation requirements in accordance with IEC 60664-1. |
| Details for soldering processes | The items are suitable for assembly on both sides and for overhead soldering. |

Dimensions

| | |
|---------------------|--|
| Dimensional drawing |  |
| Pitch | 0.8 mm |
| Width [w] | 8.7 mm |
| Height [h] | 12.25 mm |
| Length [l] | 6.1 mm |
| Installed height | 11.65 mm |

Application

| | |
|--|--|
| Contact cover | 0.8 mm |
| Center offset | ± 0.7 mm in longitudinal and transverse direction |
| Stack height | 12 mm Tolerance: +1,5 mm (in combination with Range of articles:FP 0,8/...-FV 4,85) |
| | 15 mm Tolerance: +1,5 mm (in combination with Range of articles:FP 0,8/...-FV 7,85) |
| | 18 mm Tolerance: +1,5 mm (in combination with Range of articles:FP 0,8/...-FV 10,85) |
| Wipe length | 1.5 mm |
| Angular tolerance | ± 5 ° in longitudinal and transverse direction (when plugging in) |
| | ± 5 ° in longitudinal and transverse direction (when plugged in) |
| Axial offset in X direction (longitudinal) | ± 0.3 mm (Tolerance compensation when plugged in) |
| Axial offset in Y direction (transversal) | ± 0.3 mm (Tolerance compensation when plugged in) |

PCB design

| | |
|--------------|--------------|
| Pad geometry | 0.5 x 2.4 mm |
|--------------|--------------|

Electrical tests

Thermal test | Test group C

| | |
|----------------------------|-----------------------|
| Specification | IEC 60512-5-2:2002-02 |
| Tested number of positions | 80 |

Insulation resistance

| | |
|--|-----------------------|
| Specification | IEC 60512-3-1:2002-02 |
| Insulation resistance, neighboring positions | ≥ 5 GΩ |

Air clearances and creepage distances |

FP 0,8/ 12-MV 7,15 - SMD male connectors



1154017

<https://www.phoenixcontact.com/us/products/1154017>

| | |
|---|---------|
| Insulating material group | IIIb |
| Minimum value for clearance and creepage distance | 0.25 mm |

Environmental and real-life conditions

Vibration test

| | |
|------------------------|--|
| Specification | IEC 60068-2-6:2007-12 |
| Frequency | 10 - 2000 - 10 Hz |
| Sweep speed | 1 octave/min |
| Amplitude | 1.5 mm (10 Hz ... 58 Hz) |
| Sweep speed | 200 m/s ² (58 Hz ... 2000 Hz) |
| Test duration per axis | 2.5 h |

Durability test

| | |
|--|-----------------------------------|
| Specification | IEC 60512-9-1:2010-03 (following) |
| Contact resistance R ₁ | 25 mΩ |
| Contact resistance R ₂ | 25 mΩ |
| Insertion/withdrawal cycles | 500 |
| Insulation resistance, neighboring positions | ≥ 5 GΩ |

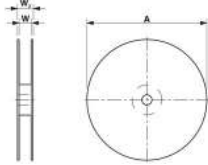
Shocks

| | |
|-----------------|-----------------------------------|
| Specification | IEC 60068-2-27:2008-02 |
| Pulse shape | Semi-sinusoidal |
| Acceleration | 490 m/s ² |
| Shock duration | 11 ms |
| Test directions | X-, Y- and Z-axis (pos. and neg.) |

Ambient conditions

| | |
|---|-------------------|
| Ambient temperature (operation) | -55 °C ... 125 °C |
| Ambient temperature (storage/transport) | -40 °C ... 70 °C |
| Relative humidity (storage/transport) | 30 % ... 70 % |
| Ambient temperature (assembly) | -5 °C ... 100 °C |

Packaging specifications

| | |
|-----------------------------|--|
| Dimensional drawing |  |
| Type of packaging | 24 mm wide tape |
| [W] tape width | 24 mm |
| [W2] coil overall dimension | 30.4 mm |
| [A] coil diameter | 330 mm |
| Outer packaging type | Transparent-Bag |
| ESD level | (D) electrostatically conductive |

FP 0,8/ 12-MV 7,15 - SMD male connectors



1154017

<https://www.phoenixcontact.com/us/products/1154017>

Specification

DIN EN 61340-5-1 (VDE 0300-5-1): 2008-07

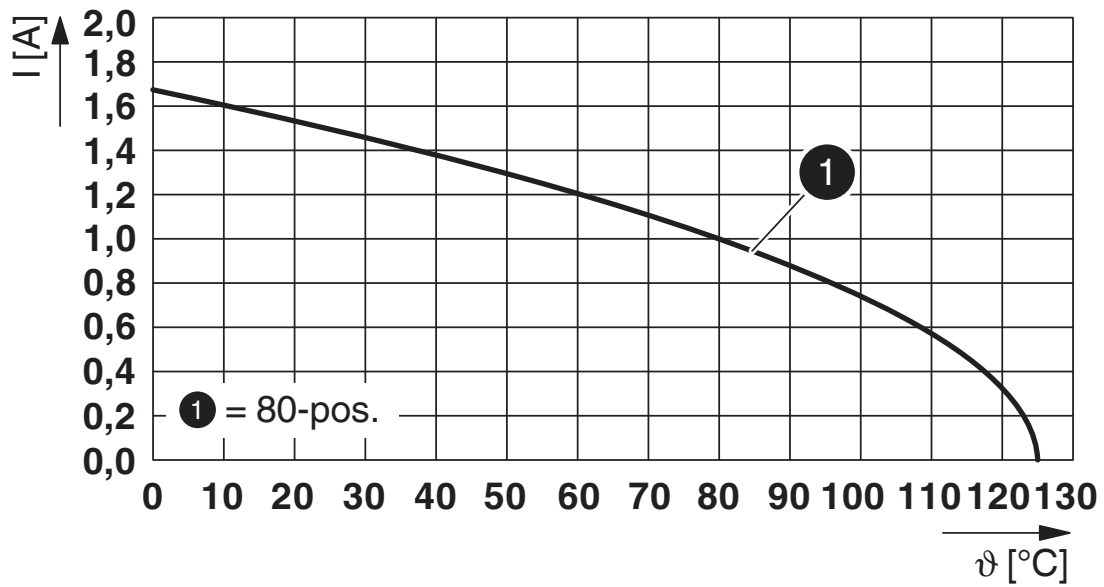
FP 0,8/ 12-MV 7,15 - SMD male connectors

1154017

<https://www.phoenixcontact.com/us/products/1154017>

Drawings

Diagram



Type: FP 0,8/...-MV 7,15 with FP 0,8/...-FV 4,85

FP 0,8/ 12-MV 7,15 - SMD male connectors



1154017

<https://www.phoenixcontact.com/us/products/1154017>

Approvals

To download certificates, visit the product detail page: <https://www.phoenixcontact.com/us/products/1154017>



cULus Recognized

Approval ID: E118976-20190703

FP 0,8/ 12-MV 7,15 - SMD male connectors



1154017

<https://www.phoenixcontact.com/us/products/1154017>

Classifications

ECLASS

| | |
|-------------|----------|
| ECLASS-11.0 | 27460201 |
| ECLASS-12.0 | 27460201 |
| ECLASS-13.0 | 27460201 |

ETIM

| | |
|----------|----------|
| ETIM 8.0 | EC002637 |
|----------|----------|

UNSPSC

| | |
|-------------|----------|
| UNSPSC 21.0 | 39121400 |
|-------------|----------|

FP 0,8/ 12-MV 7,15 - SMD male connectors



1154017

<https://www.phoenixcontact.com/us/products/1154017>

Environmental product compliance

| | |
|------------|---|
| China RoHS | Environmentally friendly use period: unlimited = EFUP-e No hazardous substances above threshold values |
|------------|---|

FP 0,8/ 12-MV 7,15 - SMD male connectors

1154017

<https://www.phoenixcontact.com/us/products/1154017>



Mandatory accessories

FP 0,8/ 12-FH - SMD female connectors

1104540

<https://www.phoenixcontact.com/us/products/1104540>



SMD female connector, nominal current: 1.7 A, Test voltage: 500 V AC, number of positions: 12, pitch: 0.8 mm, color: black, contact surface: Gold, contact connection type: Socket, mounting: SMD soldering

FP 0,8/ 12-FV 10,85 - SMD female connectors

1154128

<https://www.phoenixcontact.com/us/products/1154128>



SMD female connector, nominal current: 1.7 A, Test voltage: 500 V AC, number of positions: 12, pitch: 0.8 mm, color: black, contact surface: Gold, contact connection type: Socket, mounting: SMD soldering

FP 0,8/ 12-MV 7,15 - SMD male connectors

1154017

<https://www.phoenixcontact.com/us/products/1154017>



FP 0,8/ 12-FV 4,85 - SMD female connectors

1061643

<https://www.phoenixcontact.com/us/products/1061643>



SMD female connector, nominal current: 1.7 A, Test voltage: 500 V AC, number of positions: 12, pitch: 0.8 mm, color: black, contact surface: Gold, contact connection type: Socket, mounting: SMD soldering

FP 0,8/ 12-FV 7,85 - SMD female connectors

1061580

<https://www.phoenixcontact.com/us/products/1061580>



SMD female connector, nominal current: 1.7 A, Test voltage: 500 V AC, number of positions: 12, pitch: 0.8 mm, color: black, contact surface: Gold, contact connection type: Socket, mounting: SMD soldering

Accessories

FP 0,8/ 12-MV 7,15 - SMD male connectors

1154017

<https://www.phoenixcontact.com/us/products/1154017>



FP 0,8/ 12-FV 4,85 - SMD female connectors

1061643

<https://www.phoenixcontact.com/us/products/1061643>



SMD female connector, nominal current: 1.7 A, Test voltage: 500 V AC, number of positions: 12, pitch: 0.8 mm, color: black, contact surface: Gold, contact connection type: Socket, mounting: SMD soldering

Phoenix Contact 2023 © - all rights reserved

<https://www.phoenixcontact.com>

Phoenix Contact USA
586 Fulling Mill Road
Middletown, PA 17057, United States
(+717) 944-1300
info@phoenixcon.com