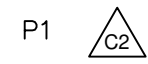
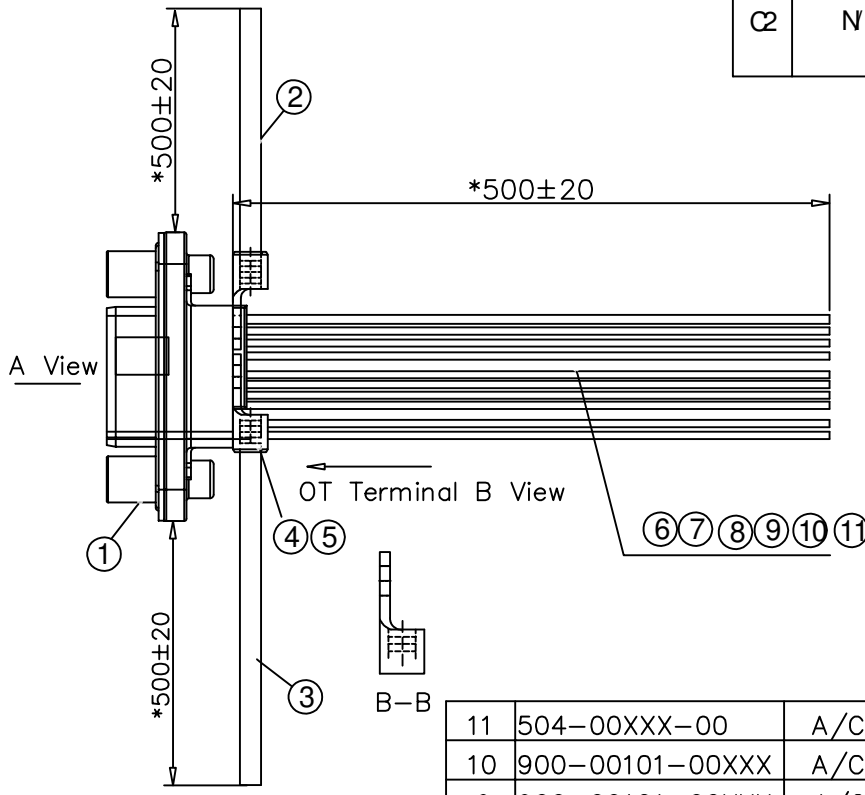
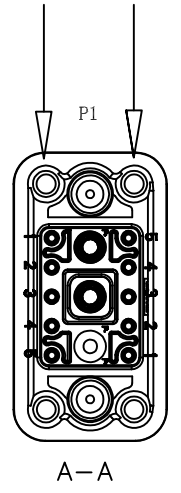


REV	ECN NO.	DESCRIPTION	SIGN	DATE
C1	N/A	INITIAL DRAWING	Joseph	2021/11/26
C2	N/A	1. Update pin out 2. Update specifications	Kevin_Ptz	2022. 08. 12

P1 Left P1 Right



P1	Color	Wire Gauge	Notes
P+	RED	8AWG	
P-	BLACK	8AWG	
1	WHITE	22AWG	
2	BLUE	22AWG	
3	YELLOW	22AWG	
4	GREEN	22AWG	
5	RED	22AWG	OPEN
1	WHITE	22AWG	
2	BLUE	22AWG	
3	YELLOW	22AWG	
4	GREEN	22AWG	
5	RED	22AWG	



**SPECIFICATIONS&TEST REQUIREMENTS**  
 1.TEMPERATURE RATING: -10°C~85°C  
 2.CURRENT RATING :POWER: 40A,SIGNAL: 3A  
 3.VOLTAGE RATING: 72V DC  
 4.INSULATION RESISTANCE: 20MΩ@500VDC,1MIN  
 5.DIELECTRIC WITHSTANDING VOLTAGE:  
 POWER: 1500VAC, 1MIN  
 SIGNAL: 500VAC, 1MIN  
 6.MATING CYCLE: 5000 Cycles.  
 7.ROHS COMPLIANT.

11	504-00XXX-00	A/C	M	Heat shrinkable tube φ2.0 black
10	900-00101-00XXX	A/C	M	UL1007 22AWG Red PVC wire
9	900-00101-00XXX	A/C	M	UL1007 22AWG Green PVC wire
8	900-00101-00XXX	A/C	M	UL1007 22AWG Blue PVC wire
7	900-00101-00XXX	A/C	M	UL1007 22AWG WHITE PVC wire
6	900-00101-00XXX	A/C	M	UL1007 22AWG Yellow PVC wire
5	504-00XXX-00	A/C	M	Heat shrinkable tube φ8.0 black
4	901-00XXX-00XXX	3	PCS	OT Terminal RNBS8-5 8AWG
3	900-00106-00XXX	A/C	M	UL3239 8AWG Black silicone wire OD: 5.5
2	900-00106-00XXX	A/C	M	UL3239 8AWG Red silicone wire OD: 5.5
1	13C2310655-11	1	PC	FC09 connector:Female 2+5pin
ITEM	CHOGORI P/N	QTY	UNIT	DESCRIPTION

UNIT:mm	
TOLERANCE:	±1

DESCRIPTION: 13C2310655-11 FC09 Battery connector of cable assembly	
SCALE: 1:1	SHEET 1 OF 1
REV. C1	SIZE A4
* :Inspection Item	



PART NO	11C03621112302	DRAWN BY	Kevin_Ptz	DATE	2022. 08. 12
DWG NO	11C03621112302	CHECKED BY	Kevin_Ptz	DATE	2022. 08. 12
CUSTOMER		APPROVED BY		DATE	

THIS INFORMATION IS CONFIDENTIAL AND IS DISCLOSED TO YOU ON CONDITION THAT NO FURTHER DISCLOSURE IS MADE BY YOU TO OTHER THAN CHOG RI PERSONNEL WITHOUT AUTHORIZATION FROM CHOGORI CORP.