

PART NAME

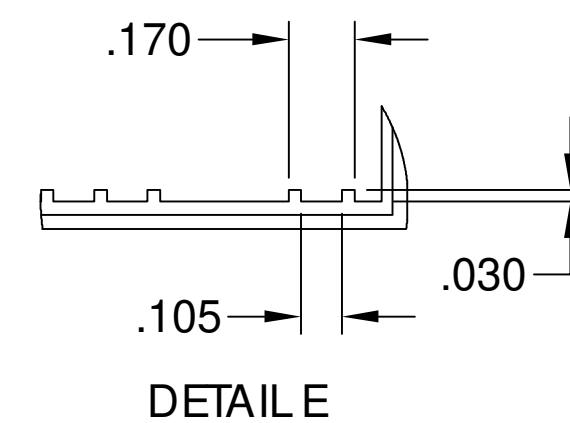
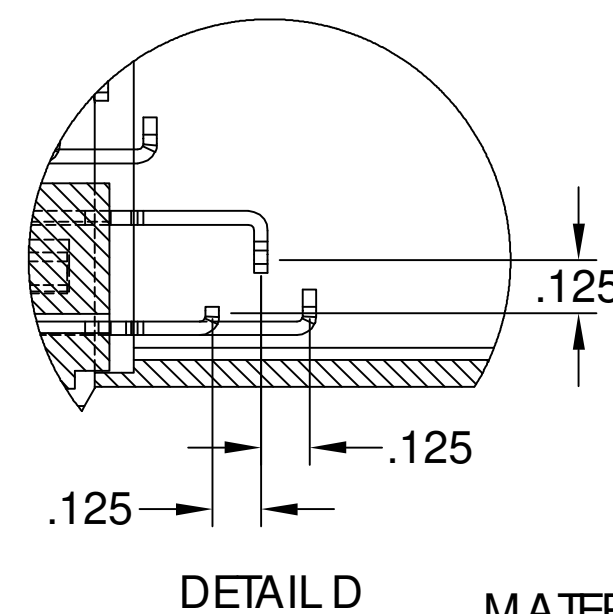
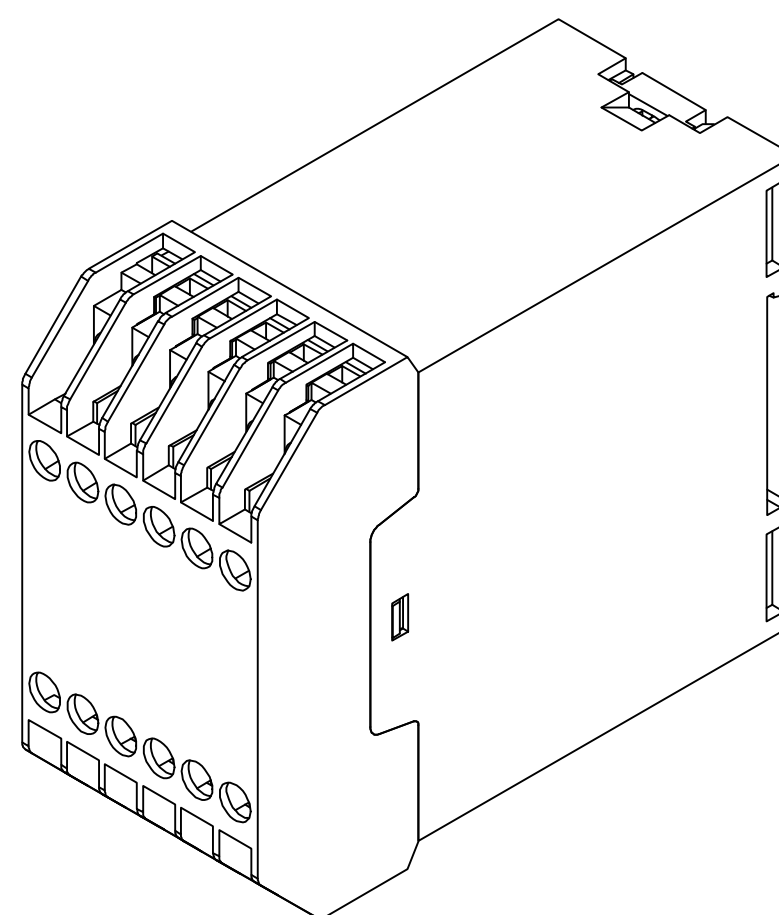
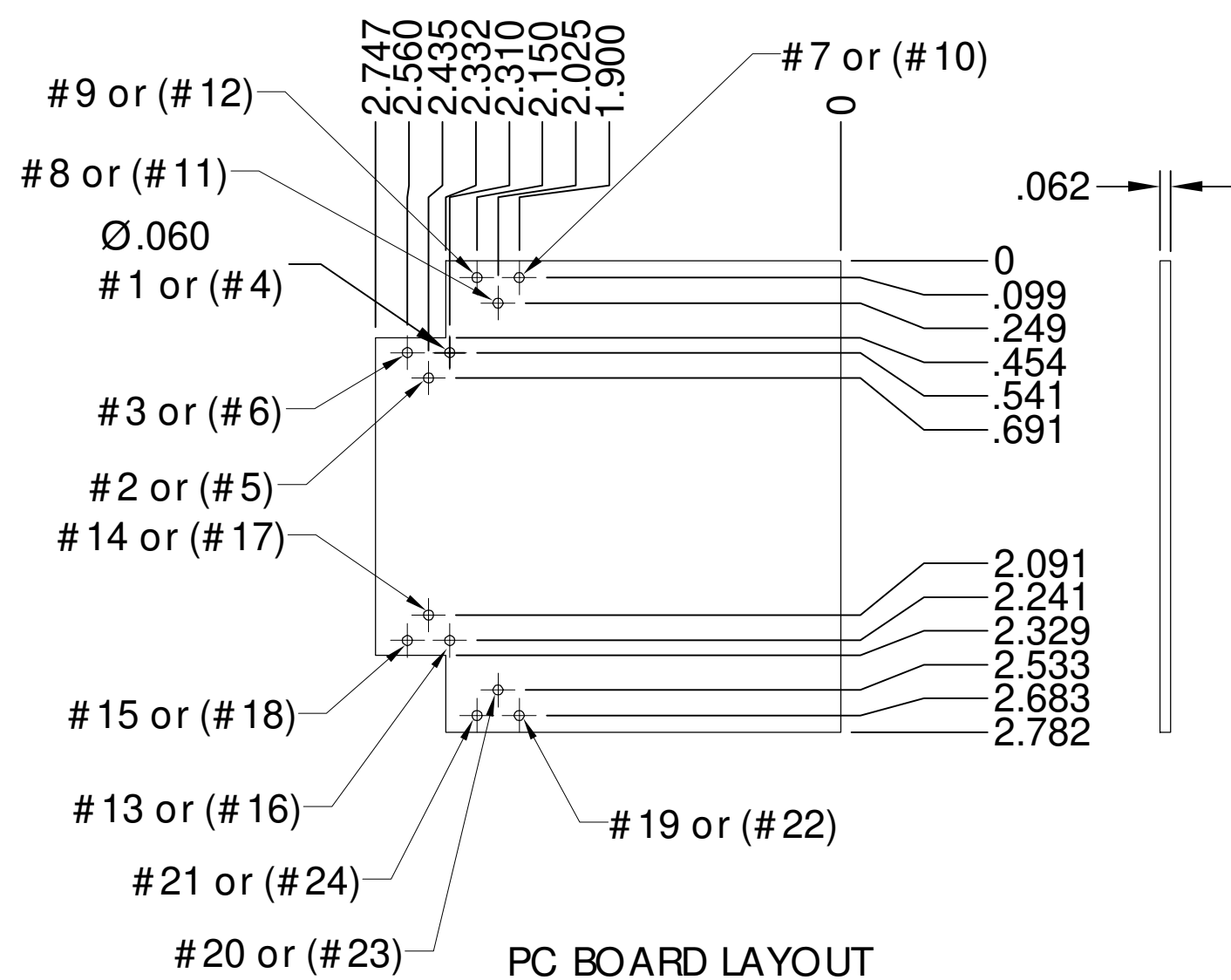
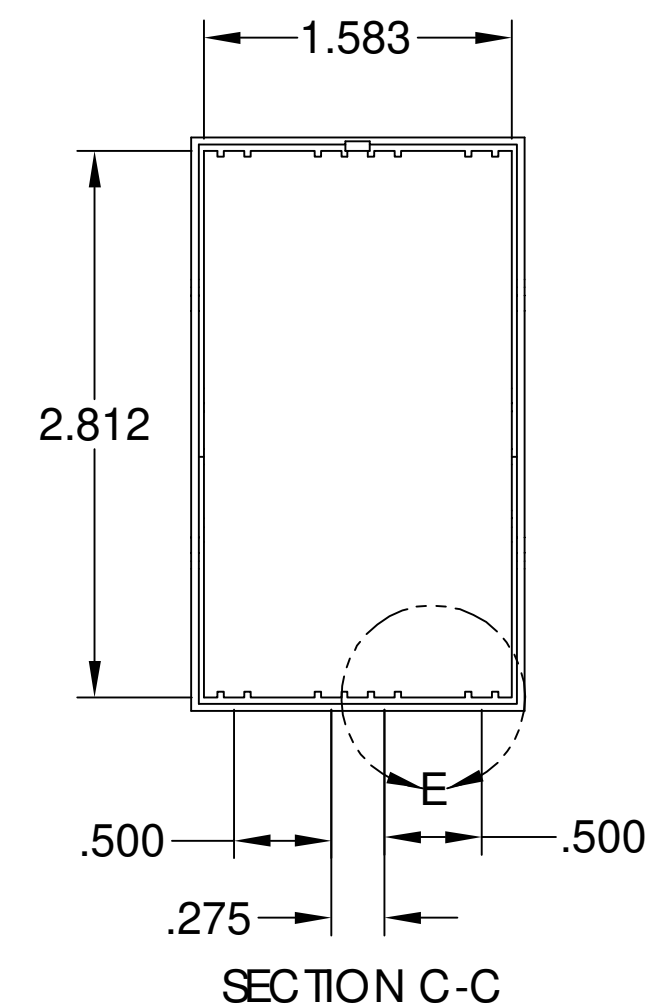
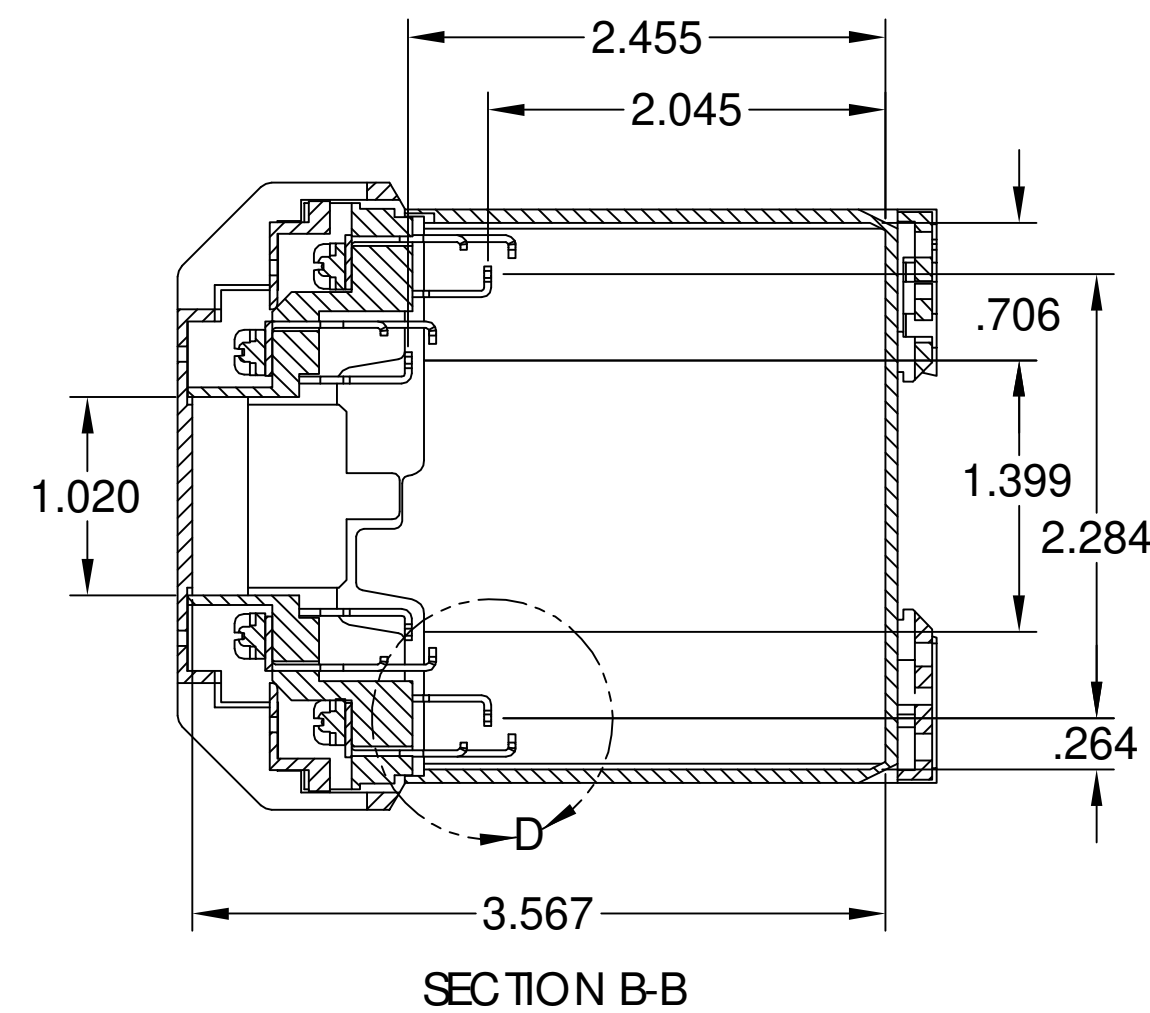
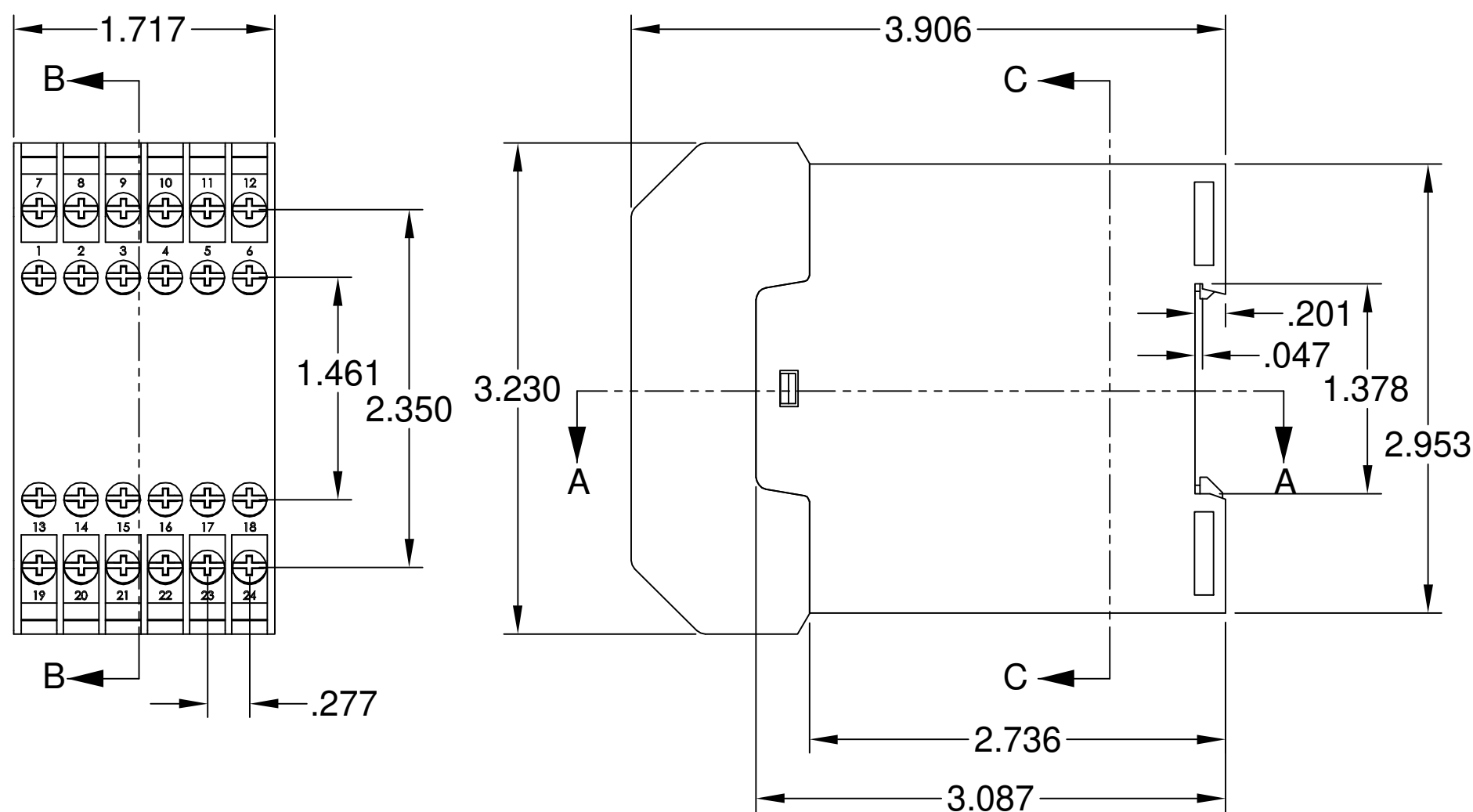
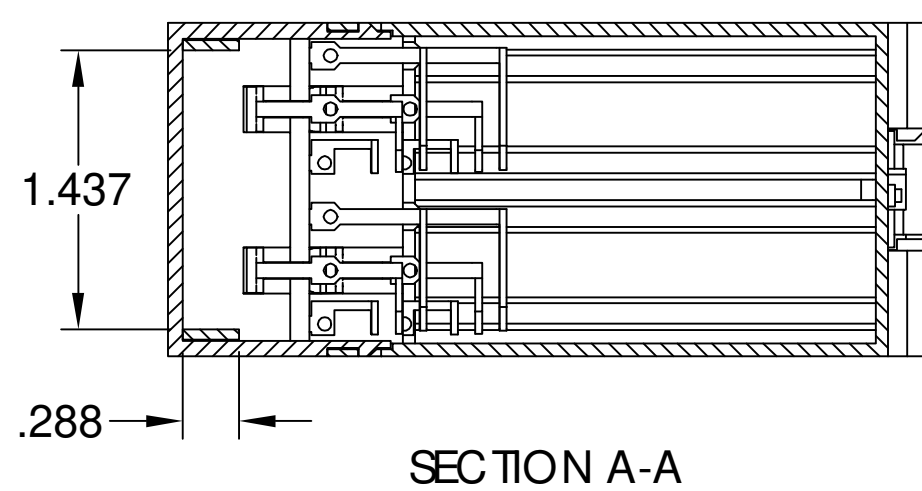
DIN RAIL MOUNT BOXES WITH TIERED CONTACTS

PART No.

DB-4751

REV. DATE

5-19-10



MATERIAL: UL 94V-0 RATED ABS

FINISH: LIGHT GRAY

ALL DIMENSIONS HAVE A ± 0.015 TOLERANCE UNLESS OTHERWISE SPECIFIED

ALL CONTACTS ARE TIN PLATED BRASS RATED AT 10 AMPS

NOTE: HOLE NUMBERS CORRESPOND TO CONTACT POSITION