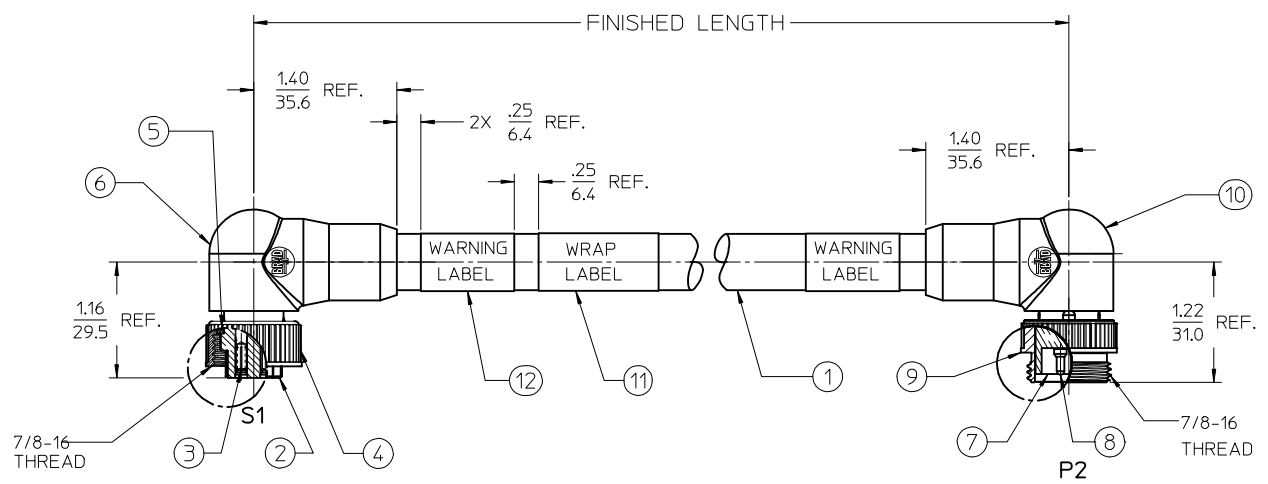
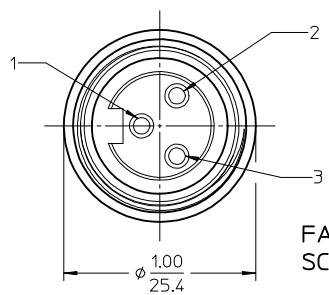


WIRING DIAGRAM



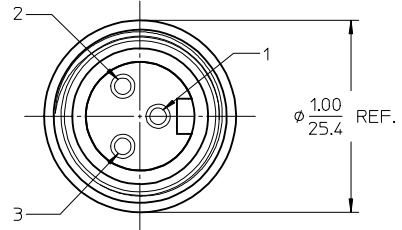
NOTES:

- 1) MATERIAL: SEE TABLE
- 2) FINISHES: SEE TABLE
- 3) WRAP LABEL IS MARKED WITH P/N, DATE CODE VOLTAGE & AMPERAGE
- 4) MATES WITH: MINI CHANGE 3 POLE RECEPTACLE
- 5) ELECTRICAL DATA:  
 14AWG UL TYPE: TC-ER STRANDED CABLE  
 MAX VOLTAGE: 600V  
 MAX CURRENT: 15A  
 PROTECTION IP67 (WHEN MATED)  
 TEMPERATURE RANGE: -20°C TO 90°C
- 6) PACKAGING:  
 CABLE ASSEMBLIES ARE BAGGED SEPERATLY IN POLY BAGS WITH BAR CODE LABEL ATTACHED TO OUTSIDE OF BAG.
- 7) ASSEMBLY IS RoHS COMPLIANT



FACE VIEW FEMALE  
SCALE: 2X

FACE VIEW MALE  
SCALE: 2X



PART NUMBER LEGEND

113033K20MXXXE

MC 3P FEM 90D TO MALE 90 DEG (EXT THD) — OVERMOLD OPTION E = RED  
 CABLE TYPE: 14 AWG TC ER, BLACK — FINISHED LENGTH:  
 M001= .1M  
 M010= 1.0M  
 M100= 10.0M

12	2	WARNING LABEL	VINYL	ORANGE/BLACK
11	1	WRAP LABEL	VINYL	BLACK/YELLOW
10	1	90 DEG OVERMOLD	PVC	RED
9	1	MALE COUPLING NUT	ZINC ALLOY	BLACK
8	3	CONTACT PIN	Cu ALLOY	GOLD PLATE
7	1	MALE INSERT	PVC	BLACK
6	1	90 DEG OVERMOLD	PVC	RED
5	1	FRICTION RING	NYLON	WHITE
4	1	FEMALE COUPLING NUT	ZINC ALLOY	BLACK
3	3	CONTACT SOCKET	Cu ALLOY	GOLD PLATE
2	1	FEMALE INSERT	PVC	BLACK
1	SEE NOTE 5	CABLE	TPE	BLACK
ITEM	QTY	DESCRIPTION	MATERIAL	FINISH

RELEASED	EC NO: IPG2016-0693	2015/11/10
DRWINRSTONE	2015/11/20	
CHKDK JOZWIK	2015/11/20	
APPR: BWOODMAN	2015/12/04	
REV	DESCRIPTION	
A		

QUALITY SYMBOLS	GENERAL TOLERANCES (UNLESS SPECIFIED)
▽=0	
▽=0	
	DRAFT WHERE APPLICABLE MUST REMAIN WITHIN DIMENSIONS

DIMENSION STYLE	SCALE	DESIGN UNITS	THIRD ANGLE PROJECTION
IN/MM	1:1	INCH	
DRAWN BY	DATE	TITLE	
RSTONE	2015/11/10	MINI CHANGE CABLE ASSY	
CHECKED BY	DATE	FEM 90D TO MALE 90D	
KJOZWIK	2015/11/20	EXTERNAL THREAD, RED	
APPROVED BY	DATE		
BWOODMAN	2015/12/04		
MATERIAL NO.	DOCUMENT NO.	SHEET NO.	
-	SD-130062-026	1 OF 1	

THIS DRAWING CONTAINS INFORMATION THAT IS PROPRIETARY TO MOLEX INCORPORATED AND SHOULD NOT BE USED WITHOUT WRITTEN PERMISSION	
---	--