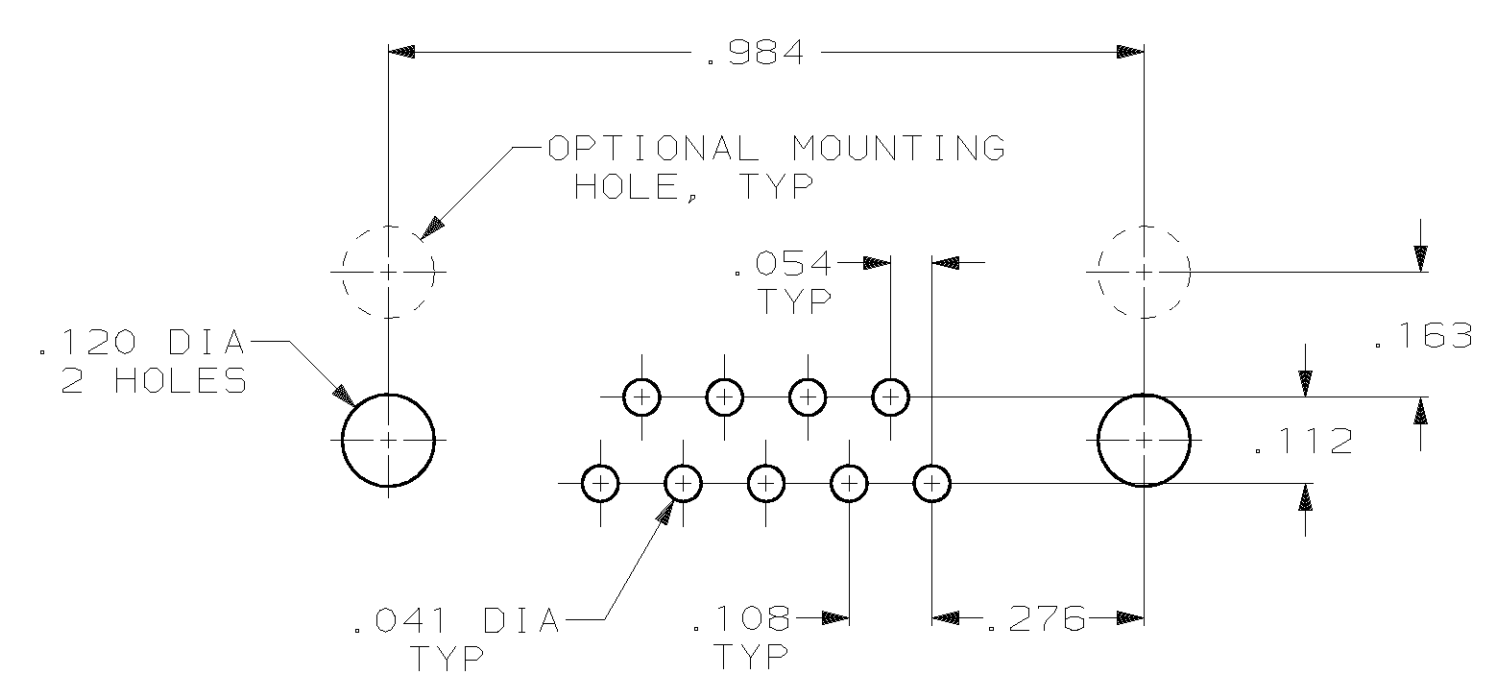
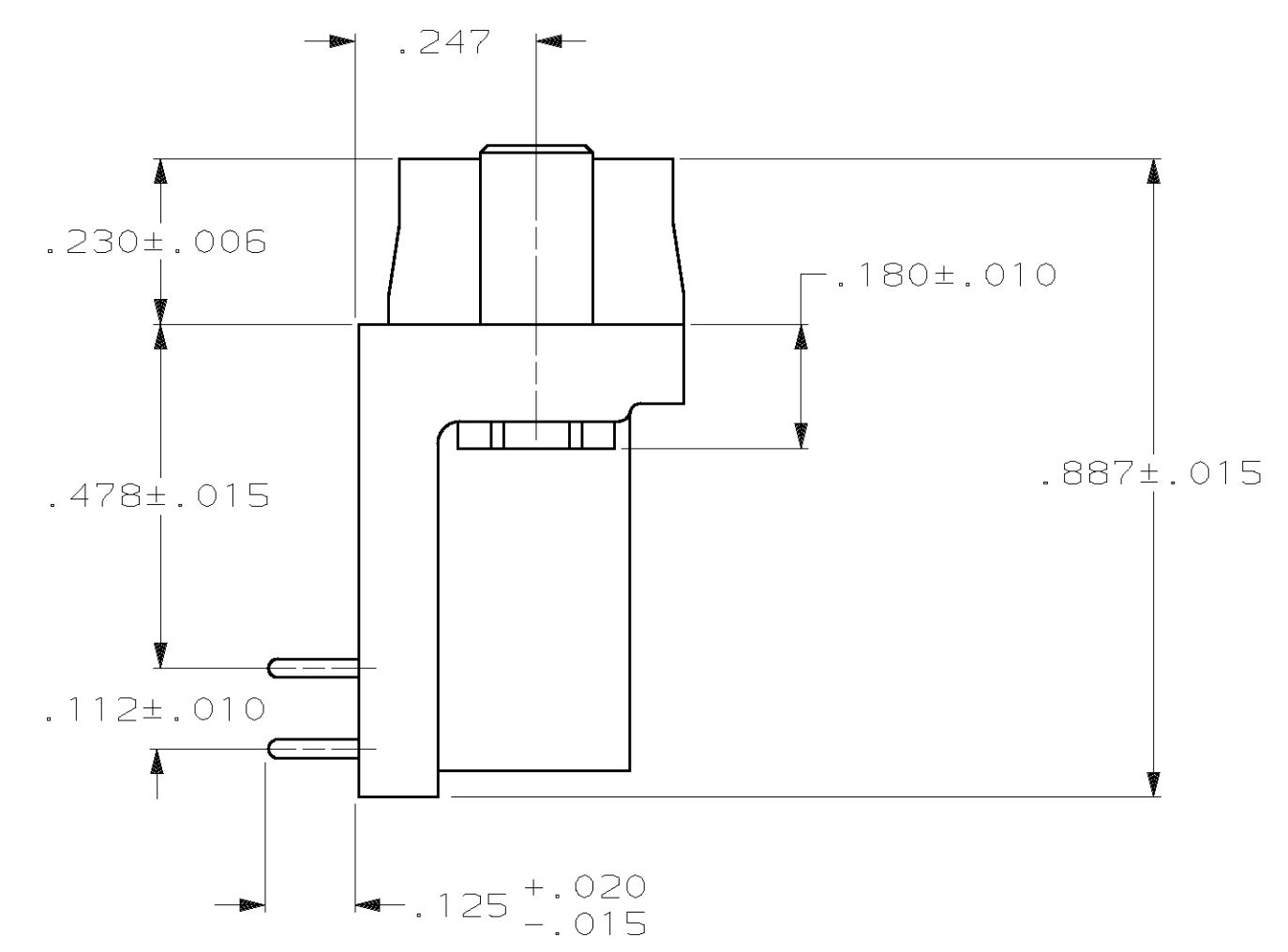
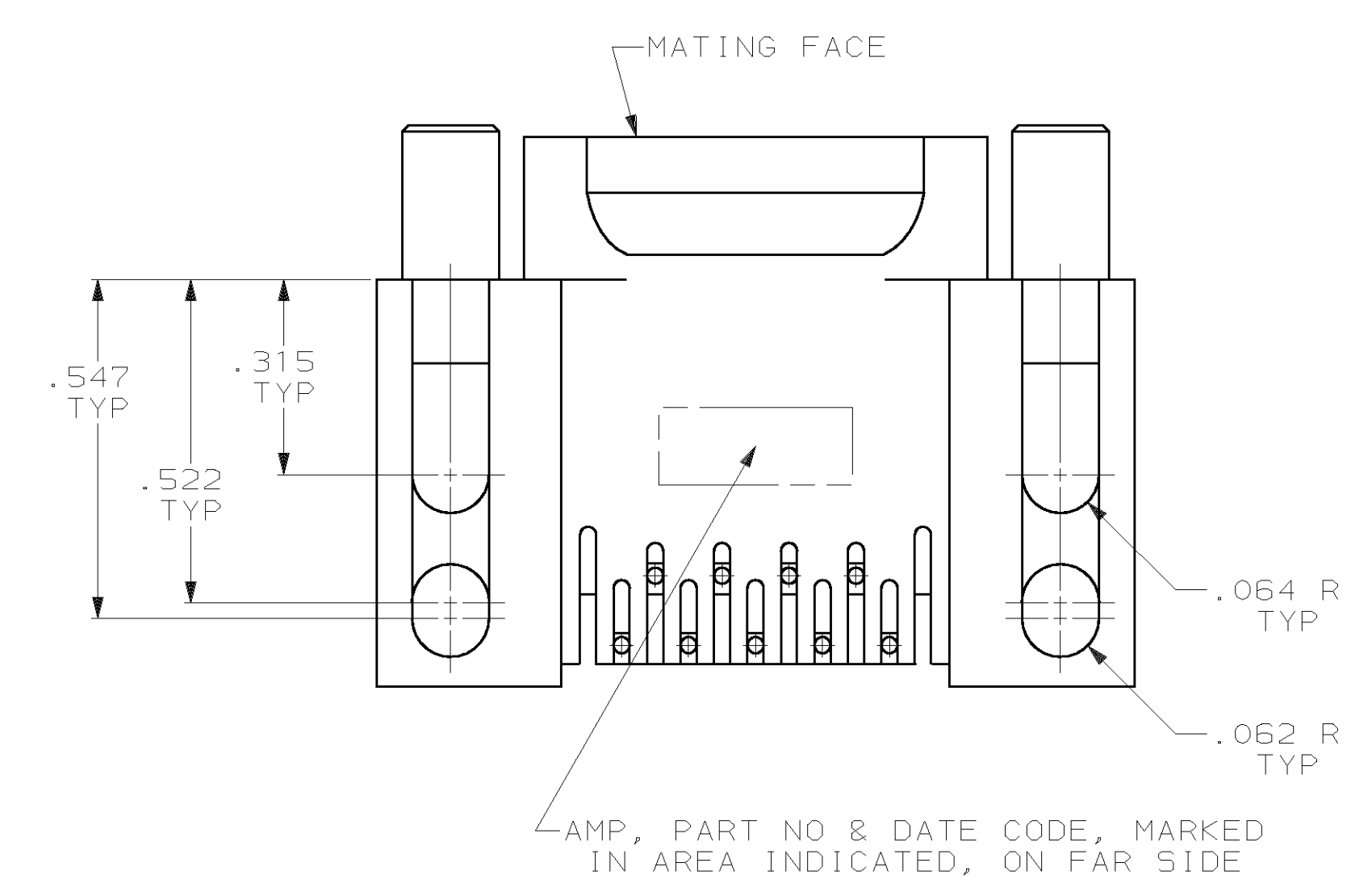
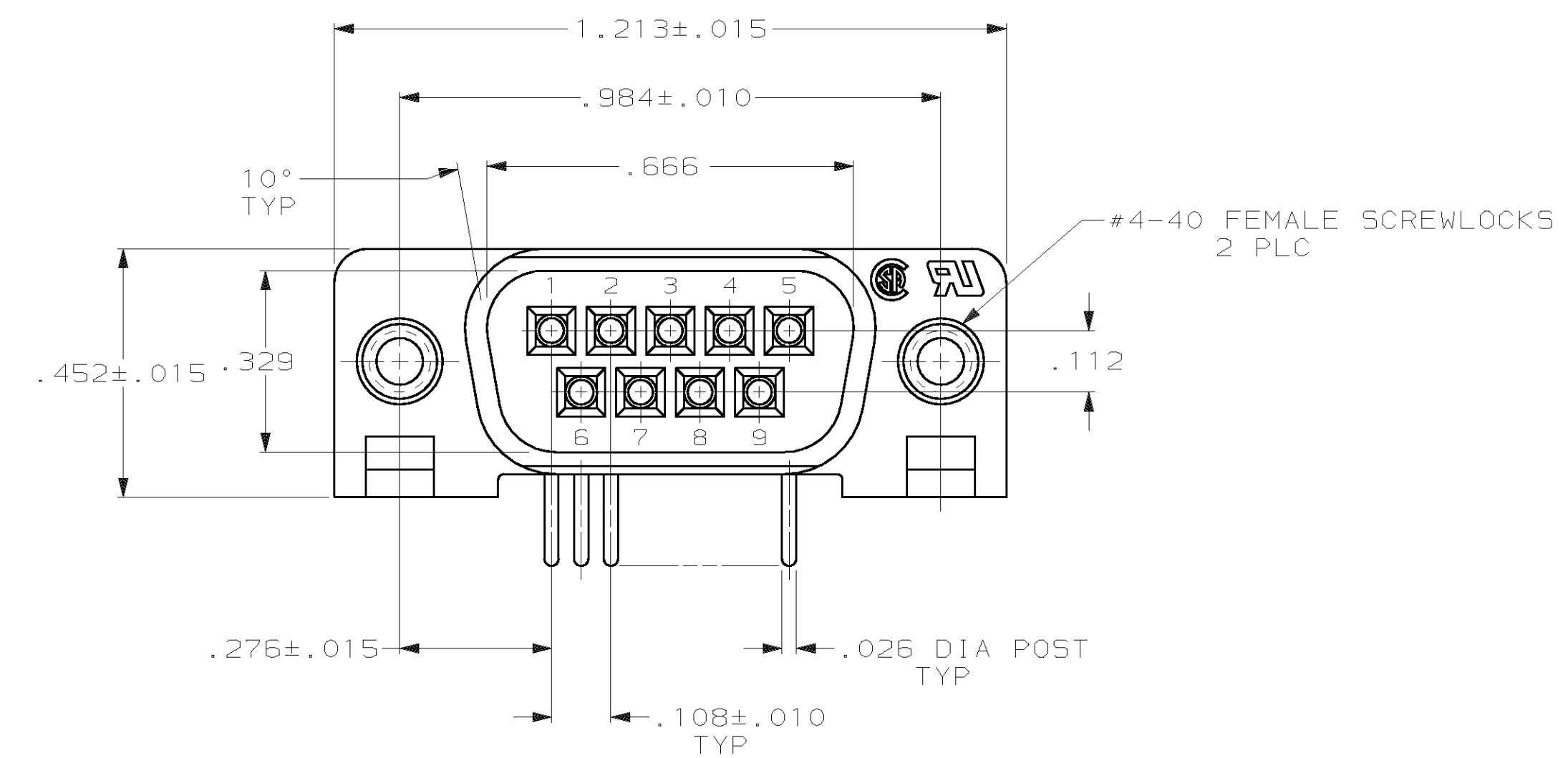


LOC		DIST		P		ZONE		LTR		REVISIONS		DATE	APPD
BD	77									DESCRIPTION			
										E	REV PER EC 0020-983-95	15 DEC 95	RT
										F	REV PER EC 0640-412-98	12 FEB 99	RT



P.C. BOARD MOUNTING DIMENSIONS

- ① FLAME RETARDANT, 94V-0 RATED, GLASS FILLED NYLON OR POLYESTER, COLOR: BLACK.
- ② BRASS PER MIL-C-50.
- ③ REFER TO APPLICATION SPEC FOR RECOMMENDED P.C. BOARD MOUNTING DIMENSIONS FOR AUTOMATIC INSERTION.
- ④ GOLD PLATING PER MIL-G-45204, TIN PLATING PER MIL-T-10727, NICKEL PLATING PER QQ-N-290.
- ⑤ PLATED WITH GOLD FLASH FOR LENGTH OF .150 MIN FROM MATING END, WITH POINT OF MEASUREMENT .075 FROM MATING END OF CONTACT, .000100-.000200 TIN OR TIN-LEAD ON SOLDER END, ALL OVER .000050 NICKEL ON ENTIRE CONTACT.
- ⑥ GOLD PLATED FOR LENGTH OF .150 MIN FROM MATING END, .000030 MIN GOLD IN MATED AREA, WITH POINT OF MEASUREMENT .075 FROM MATING END OF CONTACT, .000100-.000200 TIN OR TIN-LEAD ON SOLDER END, ALL OVER .000050 NICKEL ON ENTIRE CONTACT.

SUPSD BY 745878-2	⑥	745878-2
	⑤	745878-1
	FINISH	PART NUMBER

UNLESS OTHERWISE SPECIFIED DIMENSIONS ARE IN INCHES TOLERANCES ON:		DR 5-5-87 S.WELDON	<b>AMP</b> AMP INCORPORATED Harrisburg, Pa. 17105		
2 PL DEC ±.005		CHK 5-5-87 C.RICHARD			
3 PL DEC ±.005		APPD5-5-87 B.TAYLOR	NAME		
ANGLES ±2°		APPD5-5-87 J.ASSINI	PLUG ASSY, SIZE 1, 9 POSN, RIGHT ANGLE, .478 SERIES, .026 DIA POSTS, W/ FEMALE SCREWLOCKS, AMPLIMITE® HD-20		
MATERIAL	MOLDED PARTS: ①	PRODUCT SPEC	SIZE	FSCM NO	DRAWING NO
CONTACTS: ②	SCREWLOCKS: ZINC	108-40005	D	00779	745878
FINISH ③	CONTACTS: SEE TABLE	APPLICATION SPEC	SCALE	4:1	SHEET
SCREWLOCKS: CLEAR CHROMATE		114-40015			1 of 1