



Traction contactor, AC-3 80 A, 37 kW / 400 V 1 NO + 1 NC 24 V DC, 0.7-1.25\* Us, with varistor 3-pole, Size S2, screw terminals

<b>product brand name</b>	SIRIUS
<b>product designation</b>	Contactors
<b>design of the product</b>	With extended operating range
<b>product type designation</b>	3RT2
<b>General technical data</b>	
<b>size of contactor</b>	S2
<b>product extension</b>	
• function module for communication	No
• auxiliary switch	Yes
<b>power loss [W] for rated value of the current</b>	
• at AC in hot operating state	17.1 W
• at AC in hot operating state per pole	5.7 W
• without load current share typical	1 W
<b>insulation voltage</b>	
• of main circuit with degree of pollution 3 rated value	690 V
• of auxiliary circuit with degree of pollution 3 rated value	690 V
<b>surge voltage resistance</b>	
• of main circuit rated value	6 kV
• of auxiliary circuit rated value	6 kV
maximum permissible voltage for safe isolation between coil and main contacts according to EN 60947-1	400 V
<b>shock resistance at rectangular impulse</b>	
• at DC	7.7g / 5 ms, 4.5g / 10 ms
<b>shock resistance with sine pulse</b>	
• at DC	12g / 5 ms, 7g / 10 ms
<b>mechanical service life (switching cycles)</b>	
• of contactor typical	10 000 000
• of the contactor with added electronically optimized auxiliary switch block typical	5 000 000
• of the contactor with added auxiliary switch block typical	10 000 000
<b>reference code according to IEC 81346-2</b>	Q
<b>Substance Prohibitance (Date)</b>	10/01/2014
<b>Ambient conditions</b>	
installation altitude at height above sea level maximum	2 000 m
<b>ambient temperature</b>	
• during operation	-40 ... +70 °C
• during storage	-55 ... +80 °C
<b>relative humidity minimum</b>	10 %

<b>relative humidity at 55 °C according to IEC 60068-2-30 maximum</b>	95 %
<b>Main circuit</b>	
<b>number of poles for main current circuit</b>	3
<b>number of NO contacts for main contacts</b>	3
<b>operating voltage</b>	
• at AC-3 rated value maximum	690 V
• at AC-3e rated value maximum	690 V
<b>operational current</b>	
• at AC-1 at 400 V at ambient temperature 40 °C rated value	90 A
• at AC-1	
— up to 690 V at ambient temperature 40 °C rated value	90 A
— up to 690 V at ambient temperature 60 °C rated value	80 A
• at AC-2 at 400 V rated value	80 A
• at AC-3	
— at 400 V rated value	80 A
— at 500 V rated value	80 A
— at 690 V rated value	58 A
• at AC-3e	
— at 400 V rated value	80 A
— at 500 V rated value	80 A
— at 690 V rated value	58 A
• at AC-4 at 400 V rated value	55 A
<b>minimum cross-section in main circuit</b>	
• at maximum AC-1 rated value	35 mm <sup>2</sup>
• at maximum Ith rated value	35 mm <sup>2</sup>
<b>operational current for approx. 200000 operating cycles at AC-4</b>	
• at 400 V rated value	30 A
• at 690 V rated value	24 A
<b>operating power</b>	
• at AC-2 at 400 V rated value	37 kW
• at AC-3	
— at 230 V rated value	22 kW
— at 400 V rated value	37 kW
— at 500 V rated value	37 kW
— at 690 V rated value	45 kW
• at AC-3e	
— at 230 V rated value	22 kW
— at 400 V rated value	37 kW
— at 500 V rated value	37 kW
— at 690 V rated value	45 kW
<b>operating power for approx. 200000 operating cycles at AC-4</b>	
• at 400 V rated value	15.8 kW
• at 690 V rated value	21.8 kW
<b>short-time withstand current in cold operating state up to 40 °C</b>	
• limited to 1 s switching at zero current maximum	1 298 A; Use minimum cross-section acc. to AC-1 rated value
• limited to 5 s switching at zero current maximum	898 A; Use minimum cross-section acc. to AC-1 rated value
• limited to 10 s switching at zero current maximum	640 A; Use minimum cross-section acc. to AC-1 rated value
• limited to 30 s switching at zero current maximum	414 A; Use minimum cross-section acc. to AC-1 rated value
• limited to 60 s switching at zero current maximum	333 A; Use minimum cross-section acc. to AC-1 rated value
<b>no-load switching frequency</b>	
• at DC	1 500 1/h
<b>operating frequency</b>	
• at AC-2 at AC-3e maximum	350 1/h
• at AC-4 maximum	150 1/h

**Ratings for railway applications****thermal current (I<sub>th</sub>) up to 690 V**

- up to 40 °C according to IEC 60077 rated value 90 A
- up to 70 °C according to IEC 60077 rated value 75 A

**Control circuit/ Control**

<b>type of voltage</b>	DC
<b>type of voltage of the control supply voltage</b>	DC
<b>control supply voltage at DC</b> <ul style="list-style-type: none"><li>• rated value</li></ul>	24 V
<b>operating range factor control supply voltage rated value of magnet coil at DC</b> <ul style="list-style-type: none"><li>• initial value</li><li>• full-scale value</li></ul>	0.7 1.25
<b>design of the surge suppressor</b>	with varistor
<b>inrush current peak</b>	3 A
<b>duration of inrush current peak</b>	50 µs
<b>locked-rotor current mean value</b>	1 A
<b>locked-rotor current peak</b>	2.6 A
<b>duration of locked-rotor current</b>	230 ms
<b>holding current mean value</b>	40 mA
<b>closing power of magnet coil at DC</b>	23 W
<b>holding power of magnet coil at DC</b>	1 W
<b>closing delay</b> <ul style="list-style-type: none"><li>• at DC</li></ul>	35 ... 110 ms
<b>opening delay</b> <ul style="list-style-type: none"><li>• at DC</li></ul>	30 ... 55 ms
<b>arcing time</b>	10 ... 20 ms
<b>control version of the switch operating mechanism</b>	Standard A1 - A2

**Auxiliary circuit**

<b>number of NC contacts for auxiliary contacts</b> <ul style="list-style-type: none"><li>• instantaneous contact</li></ul>	1 1
<b>number of NO contacts for auxiliary contacts</b> <ul style="list-style-type: none"><li>• instantaneous contact</li></ul>	1 1
<b>operational current at AC-12 maximum</b>	10 A
<b>operational current at AC-15</b> <ul style="list-style-type: none"><li>• at 230 V rated value</li><li>• at 400 V rated value</li><li>• at 500 V rated value</li><li>• at 690 V rated value</li></ul>	10 A 3 A 2 A 1 A
<b>operational current at DC-12</b> <ul style="list-style-type: none"><li>• at 24 V rated value</li><li>• at 48 V rated value</li><li>• at 60 V rated value</li><li>• at 110 V rated value</li><li>• at 125 V rated value</li><li>• at 220 V rated value</li><li>• at 600 V rated value</li></ul>	10 A 6 A 6 A 3 A 2 A 1 A 0.15 A
<b>operational current at DC-13</b> <ul style="list-style-type: none"><li>• at 24 V rated value</li><li>• at 48 V rated value</li><li>• at 60 V rated value</li><li>• at 110 V rated value</li><li>• at 125 V rated value</li><li>• at 220 V rated value</li><li>• at 600 V rated value</li></ul>	10 A 2 A 2 A 1 A 0.9 A 0.3 A 0.1 A

**UL/CSA ratings**

<b>full-load current (FLA) for 3-phase AC motor</b> <ul style="list-style-type: none"><li>• at 480 V rated value</li><li>• at 600 V rated value</li></ul>	65 A 62 A
<b>yielded mechanical performance [hp]</b>	

<ul style="list-style-type: none"> <li>for single-phase AC motor <ul style="list-style-type: none"> <li>at 110/120 V rated value</li> <li>at 230 V rated value</li> </ul> </li> <li>for 3-phase AC motor <ul style="list-style-type: none"> <li>at 200/208 V rated value</li> <li>at 220/230 V rated value</li> <li>at 460/480 V rated value</li> <li>at 575/600 V rated value</li> </ul> </li> </ul>	5 hp 15 hp  20 hp 25 hp 50 hp 60 hp
<b>contact rating of auxiliary contacts according to UL</b>	A600 / P600
<b>Short-circuit protection</b>	
<b>product function short circuit protection</b>	No
<b>design of the fuse link</b>	
<ul style="list-style-type: none"> <li>for short-circuit protection of the main circuit <ul style="list-style-type: none"> <li>with type of coordination 1 required</li> <li>with type of assignment 2 required</li> </ul> </li> <li>for short-circuit protection of the auxiliary switch required</li> </ul>	gG: 250 A (690 V, 100 kA), aM: 160 A (690 V, 100 kA), BS88: 200 A (415 V, 80 kA) gG: 160A (690V,100kA), aM: 80A (690V,100kA), BS88: 125A (415V,80kA) gG: 10 A (500 V, 1 kA)
<b>Installation/ mounting/ dimensions</b>	
<b>mounting position</b>	+/-180° rotation possible on vertical mounting surface; can be tilted forward and backward by +/- 22.5° on vertical mounting surface
<b>fastening method</b>	screw and snap-on mounting onto 35 mm standard mounting rail according to DIN EN 60715
<ul style="list-style-type: none"> <li>side-by-side mounting</li> </ul>	Yes
<b>height</b>	114 mm
<b>width</b>	55 mm
<b>depth</b>	130 mm
<b>required spacing</b>	
<ul style="list-style-type: none"> <li>with side-by-side mounting <ul style="list-style-type: none"> <li>forwards</li> <li>upwards</li> <li>downwards</li> <li>at the side</li> </ul> </li> <li>for grounded parts <ul style="list-style-type: none"> <li>forwards</li> <li>upwards</li> <li>at the side</li> <li>downwards</li> </ul> </li> <li>for live parts <ul style="list-style-type: none"> <li>forwards</li> <li>upwards</li> <li>downwards</li> <li>at the side</li> </ul> </li> </ul>	10 mm 10 mm 10 mm 0 mm  10 mm 10 mm 6 mm 10 mm  10 mm 10 mm 10 mm 6 mm
<b>Connections/ Terminals</b>	
<b>type of electrical connection</b>	
<ul style="list-style-type: none"> <li>for main current circuit</li> <li>for auxiliary and control circuit</li> <li>at contactor for auxiliary contacts</li> <li>of magnet coil</li> </ul>	screw-type terminals screw-type terminals Screw-type terminals Screw-type terminals
<b>type of connectable conductor cross-sections</b>	
<ul style="list-style-type: none"> <li>for main contacts <ul style="list-style-type: none"> <li>solid or stranded</li> <li>finely stranded with core end processing</li> </ul> </li> <li>at AWG cables for main contacts</li> </ul>	2x (1 ... 35 mm <sup>2</sup> ), 1x (1 ... 50 mm <sup>2</sup> ) 2x (1 ... 25 mm <sup>2</sup> ), 1x (1 ... 35 mm <sup>2</sup> ) 2x (18 ... 2), 1x (18 ... 1)
<b>type of connectable conductor cross-sections</b>	
<ul style="list-style-type: none"> <li>for auxiliary contacts <ul style="list-style-type: none"> <li>solid or stranded</li> <li>finely stranded with core end processing</li> </ul> </li> <li>at AWG cables for auxiliary contacts</li> </ul>	2x (0.5 ... 1.5 mm <sup>2</sup> ), 2x (0.75 ... 2.5 mm <sup>2</sup> ) 2x (0.5 ... 1.5 mm <sup>2</sup> ), 2x (0.75 ... 2.5 mm <sup>2</sup> ) 2x (20 ... 16), 2x (18 ... 14)
<b>AWG number as coded connectable conductor cross</b>	

<b>section</b>	
<ul style="list-style-type: none"> <li>• for main contacts</li> <li>• for auxiliary contacts</li> </ul>	18 ... 1 20 ... 14
<b>Safety related data</b>	
<b>product function</b>	
<ul style="list-style-type: none"> <li>• mirror contact according to IEC 60947-4-1</li> <li>• positively driven operation according to IEC 60947-5-1</li> </ul>	Yes No
B10 value with high demand rate according to SN 31920	1 000 000
<b>proportion of dangerous failures</b>	
<ul style="list-style-type: none"> <li>• with low demand rate according to SN 31920</li> <li>• with high demand rate according to SN 31920</li> </ul>	40 % 73 %
failure rate [FIT] with low demand rate according to SN 31920	100 FIT
T1 value for proof test interval or service life according to IEC 61508	20 y
<b>protection class IP on the front according to IEC 60529</b>	IP20
<b>touch protection on the front according to IEC 60529</b>	finger-safe, for vertical contact from the front
<b>Communication/ Protocol</b>	
<b>product function bus communication</b>	No
<b>Certificates/ approvals</b>	
<b>General Product Approval</b>	



[Confirmation](#)



[KC](#)



<b>EMC</b>	<b>Functional Safety/Safety of Machinery</b>	<b>Declaration of Conformity</b>	<b>Test Certificates</b>
------------	--	----------------------------------	--------------------------



[Type Examination Certificate](#)



EG-Konf.



[Special Test Certificate](#)

[Type Test Certificates/Test Report](#)

**Marine / Shipping**



LRS



PRS



RINA



RMRS

<b>other</b>	<b>Railway</b>
--------------	----------------

[Confirmation](#)

[Type Test Certificates/Test Report](#)

[Special Test Certificate](#)

[Vibration and Shock](#)

**Further information**

Information- and Downloadcenter (Catalogs, Brochures,...)

<https://www.siemens.com/ic10>

Industry Mall (Online ordering system)

<https://mall.industry.siemens.com/mall/en/en/Catalog/product?mfb=3RT2038-1XB40-0LA2>

Cax online generator

<http://support.automation.siemens.com/WW/CAXorder/default.aspx?lang=en&mfb=3RT2038-1XB40-0LA2>

Service&Support (Manuals, Certificates, Characteristics, FAQs,...)

<https://support.industry.siemens.com/cs/ww/en/ps/3RT2038-1XB40-0LA2>

Image database (product images, 2D dimension drawings, 3D models, device circuit diagrams, EPLAN macros, ...)

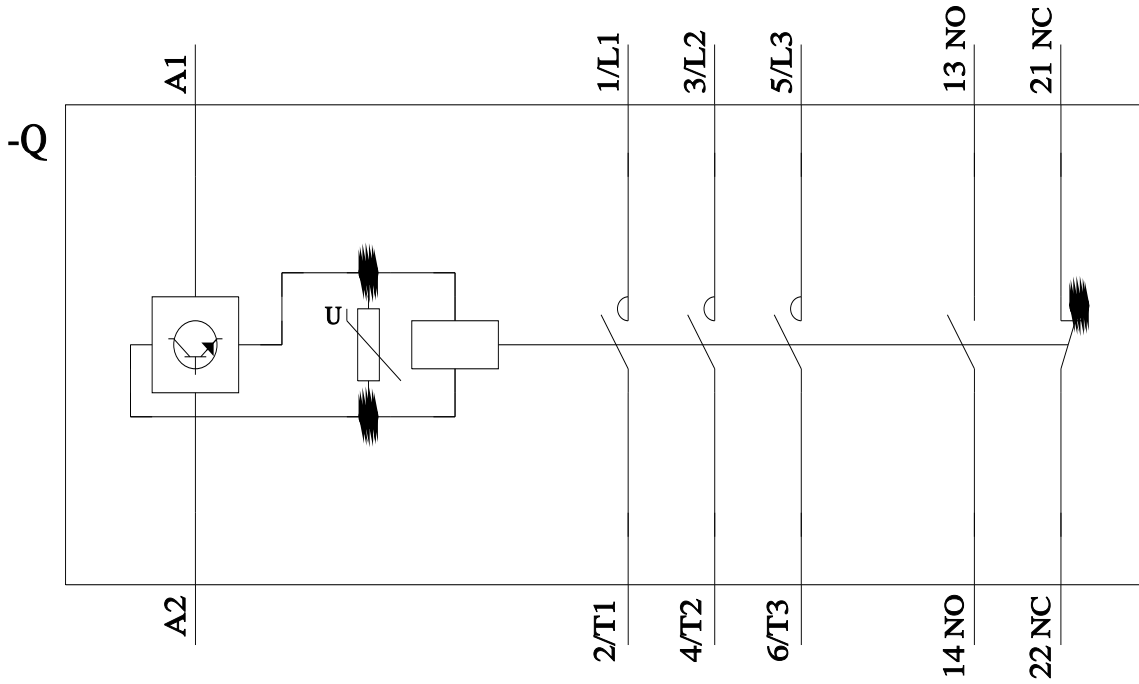
[http://www.automation.siemens.com/bilddb/cax\\_de.aspx?mlfb=3RT2038-1XB40-0LA2&lang=en](http://www.automation.siemens.com/bilddb/cax_de.aspx?mlfb=3RT2038-1XB40-0LA2&lang=en)

Characteristic: Tripping characteristics,  $I^2t$ , Let-through current

<https://support.industry.siemens.com/cs/ww/en/ps/3RT2038-1XB40-0LA2/char>

Further characteristics (e.g. electrical endurance, switching frequency)

<http://www.automation.siemens.com/bilddb/index.aspx?view=Search&mlfb=3RT2038-1XB40-0LA2&objecttype=14&gridview=view1>



last modified:

2/1/2022 