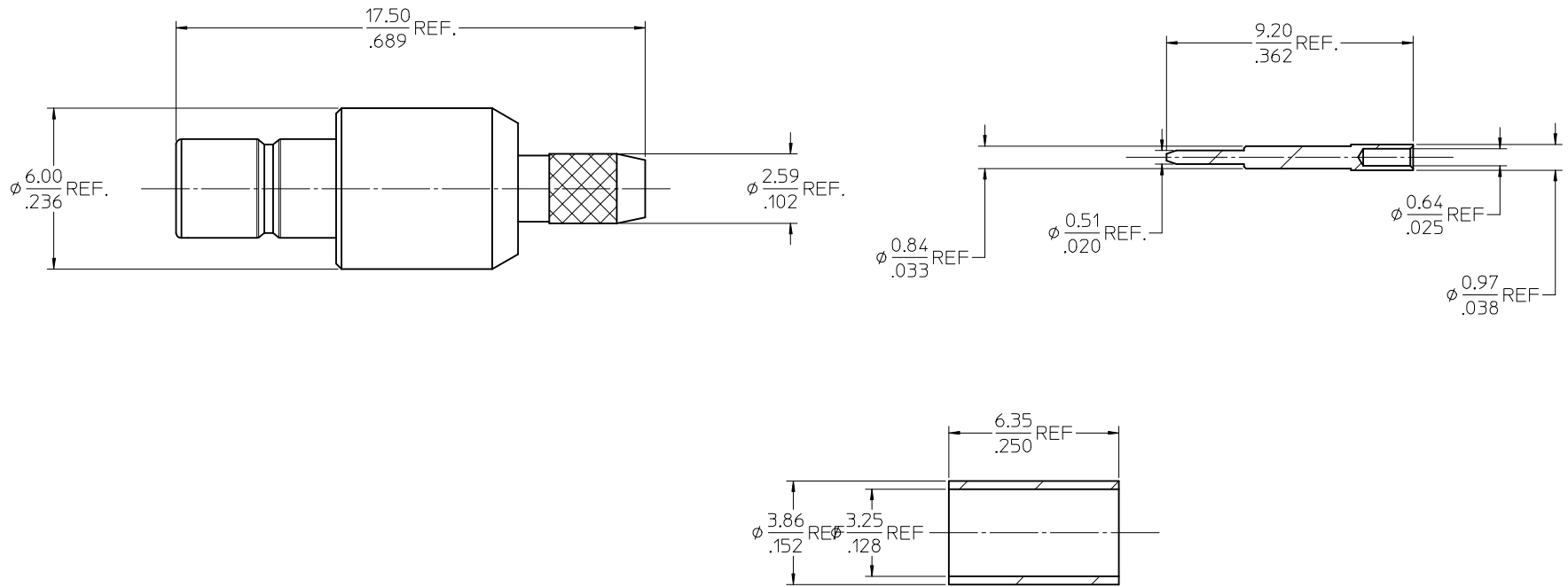
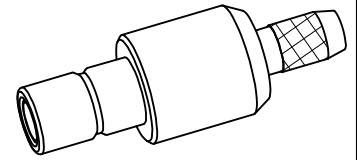


NATERIALS AND FINISHES

BODY, REAR BODY, TUBE BRASS
PLATED NICKEL

CENTER CONTACT BRASS
PLATED GOLD

INSULATOR TEFLON



ADDED PACKAGE PER RF15-E140 EC NO: URF2015-0474 DRW: NELIN 2015/03/04 CHKD: APPR: YCHENG 2015/03/20	QUALITY SYMBOLS	GENERAL TOLERANCES (UNLESS SPECIFIED)	DIMENSION STYLE	SCALE	DESIGN UNITS	THIRD ANGLE PROJECTION	
	$\nabla = 0$ $\nabla = 0$ $\nabla = 0$	mm INCH 4 PLACES ± --- ± --- 3 PLACES ± --- ± --- 2 PLACES ± 0.15 ± --- 1 PLACE ± 0.25 ± --- 0 PLACE ± ±	MM/IN	5:1	METRIC	DRAWN BY DATE EVITA 2005/10/03 CHECKED BY DATE KEN 2005/10/03 APPROVED BY DATE MISEM 2005/10/03	TITLE SMB JACK STR FOR RG316 50 OHMS SMB-JP
	ANGULAR ± 2 ° DRAFT WHERE APPLICABLE MUST REMAIN WITHIN DIMENSIONS	MATERIAL NO.	DOCUMENT NO.	SHEET NO.			
	A1	733960430	SD-73396-043	1 OF 2	THIS DRAWING CONTAINS INFORMATION THAT IS PROPRIETARY TO MOLEX INCORPORATED AND SHOULD NOT BE USED WITHOUT WRITTEN PERMISSION		

13

12

11

10

9

8

7

6

5

4

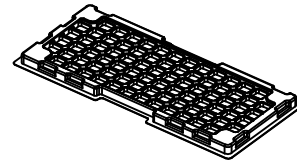
3

2

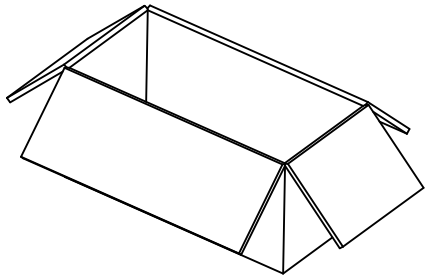
1



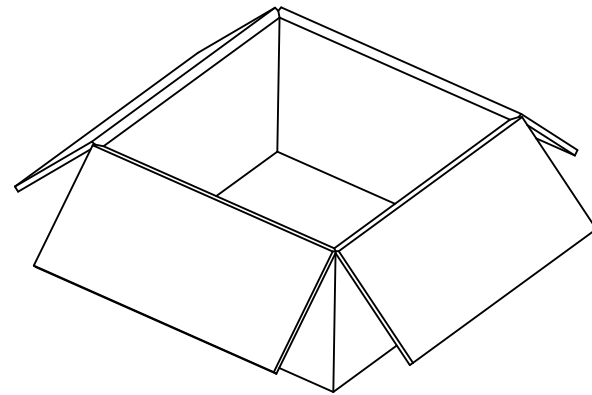
P/N: 73396-0430



80 SET PER TRAY
P/N: 89707-0190



1600 SET PER INNER CARTON BOX
P/N: 96707-0001



3200 SET PER OUTER CARTON BOX
P/N: 96708-0005

SEE SHEET 1 EC NO: URF2015-0474 DRAWN BY: DRWNLIN 2015/03/04 CHKD: APPR: YCHENG 2015/03/20	DESCRIPTION REV:	QUALITY SYMBOLS	GENERAL TOLERANCES (UNLESS SPECIFIED)		DIMENSION STYLE	SCALE	DESIGN UNITS	THIRD ANGLE PROJECTION		
		▽=0	mm	INCH	MM/IN	1:5	METRIC	TITLE SMB JACK STR FOR RG316 50 OHMS SMB-JP molex		
		▽=0	DRAWN BY DATE		DATE					
		▽=0	4 PLACES ± --- ± ---		EVITA 2005/10/03	2005/10/03	CHECKED BY DATE		MATERIAL NO. DOCUMENT NO. SHEET NO. SEE SHEET 1 SD-73396-043 2 OF 2	
▽=0	3 PLACES ± --- ± ---		KEN 2005/10/03		APPROVED BY DATE		THIS DRAWING CONTAINS INFORMATION THAT IS PROPRIETARY TO MOLEX INCORPORATED AND SHOULD NOT BE USED WITHOUT WRITTEN PERMISSION			
	2 PLACES ± 0.15 ± ---		MISEM 2005/10/03		ANGULAR ± 2 °					
	1 PLACE ± 0.25 ± ---				DRAFT WHERE APPLICABLE MUST REMAIN WITHIN DIMENSIONS					
	0 PLACE ± ±									