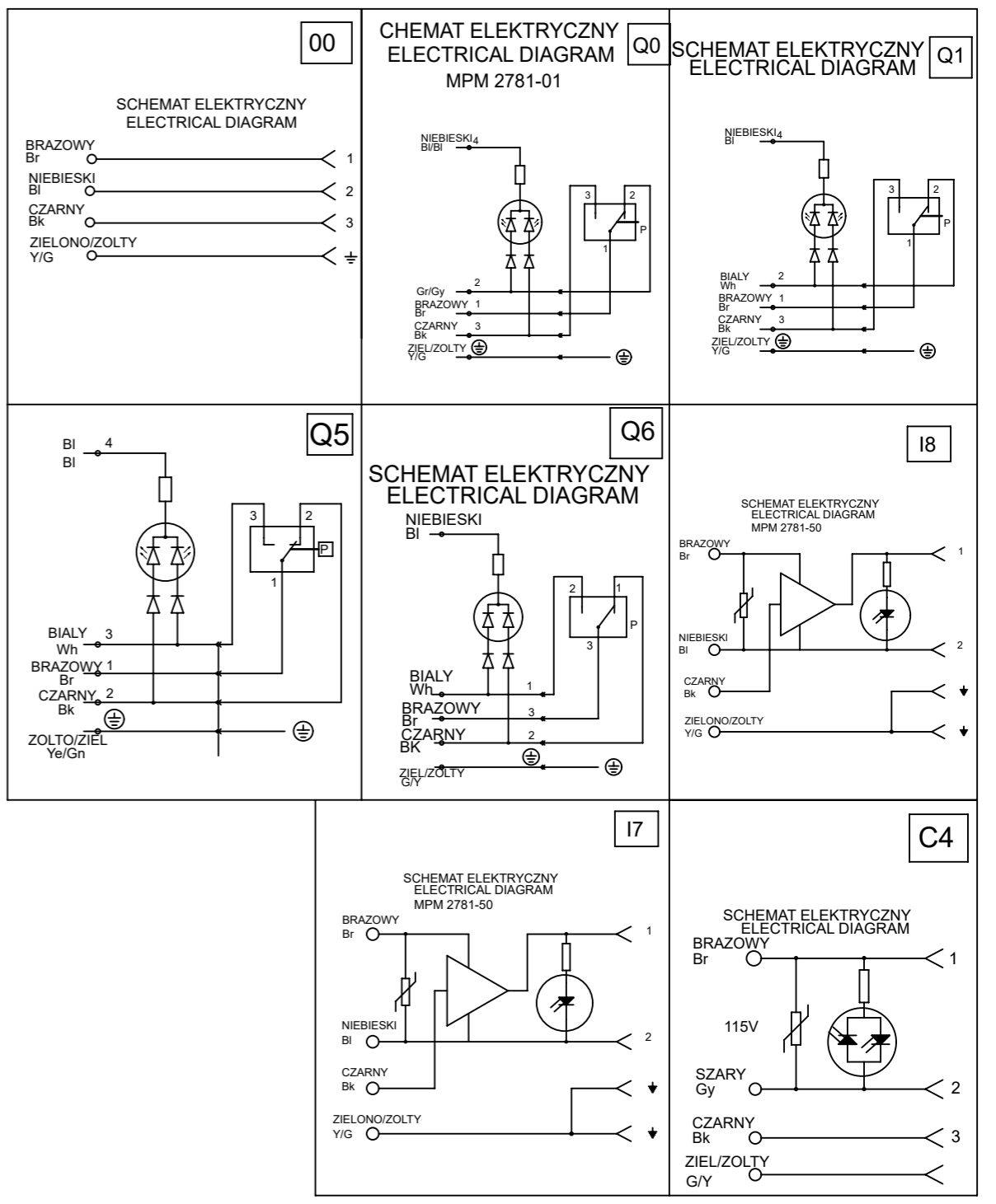


| Table of length tolerances/ Tablica tolerancji dlugosci mm | | |
|--|----------------------------------|----------------------|
| Over/Od | Up to and including/ Do-wlacznie | Tolerance/Tolerancja |
| 100 | 1000 | ±20 |
| 1000 | 3000 | ±30 |
| 3000 | 5000 | ±40 |
| 5000 | 10000 | ±50 |
| 10000 | 15000 | ±100 |
| 15000 | 20000 | ±150 |
| 20000 | | ±L/100 |

UWAGI:
1. DLUGOSC PATRZ ARKUSZ 2.

NOTES:
1. LENGHT SEE SHEET 2.

SCHEMATY POLACZEN/WIRING CONFIGURATION



| | | | | | | | | | | | |
|---|--|-------|--|---|--|--------------|--|--------------------------|--|---------------------|--|
| THIS DRAWING CONTAINS INFORMATION THAT IS PROPRIETARY TO MOLEX ELECTRONIC TECHNOLOGIES, LLC AND SHOULD NOT BE USED WITHOUT WRITTEN PERMISSION | | | | | | | | | | | |
| DIMENSION UNITS | | SCALE | | CURRENT REV DESC: REMOVED OBSOLETE PART NUMBER AS PER PCN#510806. | | | | | | molex | |
| mm | | NTS | | | | | | | | | |
| GENERAL TOLERANCES (UNLESS SPECIFIED) | | | | EC NO: 733771 | | DRWN: LIKITV | | 2023/01/10 | | MPM E453XXXXXXXXXXX | |
| | | | | CHK'D: GGA | | 2023/02/24 | | | | | |
| | | | | APPR: GGA | | 2023/02/24 | | PRODUCT CUSTOMER DRAWING | | | |
| INITIAL REVISION: | | | | DOCUMENT NUMBER | | DOC TYPE | | DOC PART | | REVISION | |
| DRWN: MWOLSZCZAK | | | | E453XXXXXXXXXXX | | PSD | | 001 | | B2 | |
| APPR: GOGRODNIK | | | | MATERIAL NUMBER | | CUSTOMER | | SHEET NUMBER | | | |
| DRAFT WHERE APPLICABLE MUST REMAIN WITHIN DIMENSIONS | | | | FIRST ANGLE PROJECTION | | DRAWING | | SERIES | | 1 OF 4 | |
| | | | | A3-SIZE | | 121040 | | SEE TABLE | | GENERAL MARKET | |

E 4 5 3 X X X X X X X X X X X

E - Pakowanie bez workow
W - Pakowanie pojedynczo
Q - Szybkie pakowanie

ILOSC PRZEWODOW/NUMBER OF WIRES:
1=2 PRZEWODY,
2=2 PRZEWODY+UZIEMIENIE,
3=3 PRZEWODY+UZIEMIENIE.

TYP KABLA/CABLE TYPE
PATRZ TABELA 1/SEE TABLE 1

RODZAJ KABLA/CABLE CROSS SECTION AREA
PATRZ TABELA 2/SEE TABLE 2

KOLOR MOULDINGU/HEAD COLOUR:
G=SZARY/GREY;
N=CZARNY/BLACK;
T=PRZETROCZYSTY/TRANSPARENT;
A=CZARNY/BLACK;
B=SZARY/GREY.

DLUGOSC KABLA W CM/CABLE LENGHT IN CM
NP:050=50 CM, 300=300 CM.

POLOZENIE PINU Z UZIEMIENIEM/EARTH PIN LOCATION:
1=PODWOJNE UZIEMIENIE NA GODZINIE 6 ORAZ 12/DOUBLE EARTH ON 6H AND 12H,
2=UZIEMIENIE NA GODZINIE 12/1EARTH ON 12H,
6=UZIEMIENIE NA GODZINIE 6/EARTH ON 6H.

GASKET ORAZ SRUBY/GASKET SCREWS:
1=GASKET PROFILOWANY+SRUBA/NBR PROFILE GASKET+FIXING SCREWS,
2=NBR PLASKI GASKET+SRUBA/NBR FLAT GASKET+SCREW,
3=SILIKONOWY PROFILOWANY GASKET+SRUBA/SILICONE PROFILE GASKET+SCREW,
4=SILIKONOWY PLASKI GASKET+SRUBA/SILICON FLAT GASKET+SCREW,
P=ZINTEGROWANY GASKET+SRUBA/INTEGRATED GASKET+FIXING SCREW,
R=ZINTEGROWANY GASKET+SRUBA/INTEGRATED GASKET+SCREW,
T=PROFILOWANY GASKET+SRUBA, PROFILE GASKET+SCREW.

RODZAJ POLACZENIA/INTERNAL CIRCUIT
PATRZ SCHEMATY POLACZEN/WIRING CONFIGURATION

NAPIECIE ORAZ KOLOR DIODY/VOLTAGE AND LED COLOUR:

| | | | | | |
|---------|-----------------------------|---------|------------------------------|---------|-----------------------------|
| 1= 12V | } CZERWONA DIODA RED LED | A= 12V | } ZIELONA DIODA GREEN LED | G= 12V | } ZOLTA DIODA YELLOW LED |
| 2= 24V | | B= 24V | | H= 24V | |
| 3= 48V | | C= 48V | | K= 48V | |
| 4= 115V | | D= 115V | | L= 115V | |
| 5= 230V | | E= 230V | | M= 230V | |


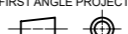
| | | | | | | | | | |
|---|--|----------------|--|---|--|-----------------------------|--|----------|--|
| THIS DRAWING CONTAINS INFORMATION THAT IS PROPRIETARY TO MOLEX ELECTRONIC TECHNOLOGIES, LLC AND SHOULD NOT BE USED WITHOUT WRITTEN PERMISSION | | | | | | | | | |
| DIMENSION UNITS | | SCALE | | CURRENT REV DESC: REMOVED OBSOLETE PART NUMBER AS PER PCN#510806. | | | | | |
| mm | | NTS | |  MPM E453XXXXXXXXXX PRODUCT CUSTOMER DRAWING | | | | | |
| GENERAL TOLERANCES (UNLESS SPECIFIED) | | | | | | | | | |
| | | MM | | INCH | | EC NO: 733771 | | | |
| 4 PLACES | | ± | | ± | | DRWN: LIKITV 2023/01/10 | | | |
| 3 PLACES | | ± | | ± | | CHK'D: GGA 2023/02/24 | | | |
| 2 PLACES | | ± | | ± | | APPR: GGA 2023/02/24 | | | |
| 1 PLACE | | ± | | ± | | INITIAL REVISION: | | | |
| 0 PLACES | | ± | | ± | | DRWN: MWOLSZCZAK 2009/01/20 | | | |
| ANGULAR TOL | | ± | | ° | | APPR: GOGRODNIK 2009/01/20 | | | |
| DRAFT WHERE APPLICABLE MUST REMAIN WITHIN DIMENSIONS | | | | FIRST ANGLE PROJECTION | | DRAWING | | SERIES | |
| | | | |  | | A3-SIZE | | 121040 | |
| DOCUMENT STATUS | | P1 | | RELEASE DATE | | 2023/02/24 | | 12:54:34 | |
| DOCUMENT NUMBER | | E453XXXXXXXXXX | | DOC TYPE | | PSD | | DOC PART | |
| MATERIAL NUMBER | | SEE TABLE | | CUSTOMER | | GENERAL MARKET | | REVISION | |
| SHEET NUMBER | | 2 OF 4 | | | | | | | |

TABELA 2 KABLE/TABLE 2 CABLES

| MOLEX PN | mPm | Code | PRZEW | PRZEKROJ | MATERIAL | KOLOR/COLOUR | SREDNICA Ø | DIN A-B | DIN C |
|------------|-----|------|-------|----------|----------------------|--------------------|---------------|---------|-------|
| 1210180080 | I | 0 | 3 | 1 mm2 | PVC CEI 2022 II O.R. | Szary/Grey RAL7035 | - | - | - |
| 1210180467 | A | 2 | 2 | 20 AWG | PVC CSA/UL 2661 | Czarny/Black | 5,5+/-0,2 mm | OK. | OK. |
| - | A | 2 | 3 | 20 AWG | PVC CSA/UL 2661 | Czarny/Black | 5,6+/-0,2 mm | OK. | OK. |
| 1210180394 | A | 2 | 4 | 20 AWG | PVC CSA/UL 2661 | Czarny/Black | 6,2+/-0,2 mm | OK. | OK. |
| - | A | 2 | 5 | 20 AWG | PVC CSA/UL 2661 | Czarny/Black | 7+/-0,2 mm | OK. | |
| 1210180297 | B | 2 | 2 | 20 AWG | PUR CSA/UL 20668 | Czarny/Black | 5,5+/-0,2 mm | OK. | OK. |
| 1210180126 | B | 2 | 3 | 20 AWG | PUR CSA/UL 20668 | Czarny/Black | 5,6+/-0,2 mm | OK. | OK. |
| 1210180387 | B | 2 | 4 | 20 AWG | PUR CSA/UL 20668 | Czarny/Black | 6,2+/-0,2 mm | OK. | OK. |
| - | B | 2 | 5 | 20 AWG | PUR CSA/UL 20668 | Czarny/Black | 7+/-0,2 mm | OK. | |
| 1210180122 | D | 2 | 3 | 0,5 mm2 | PVC TI2 CEI 20-20 | Szary/Grey | - | - | - |
| - | F | 2 | 3 | 0,5 mm2 | CNOMO | Szary/Grey RAL7000 | 5,5+/-0,2 mm | OK. | OK. |
| 1210180047 | I | 2 | 2 | 0,5 mm2 | PVC CEI 2022 II O.R. | Szary/Grey RAL7035 | 5,5+/-0,2 mm | OK. | OK. |
| - | I | 2 | 3 | 0,5 mm2 | PVC CEI 2022 II O.R. | Szary/Grey RAL7035 | 5,5+/-0,2 mm | OK. | OK. |
| 1210180146 | I | 2 | 4 | 0,5 mm2 | PVC CEI 2022 II O.R. | Szary/Grey RAL7035 | 6,5+/-0,2 mm | OK. | |
| 1210180177 | I | 2 | 5 | 0,5 mm2 | PVC CEI 2022 II O.R. | Szary/Grey RAL7035 | 7+/-0,2 mm | OK. | |
| 1210180022 | N | 2 | 2 | 0,5 mm2 | PVCH03 | Czarny/Black | 5,1+ 0,2-0 mm | OK. | OK. |
| 1210180064 | N | 2 | 3 | 0,5 mm2 | PVCH03 | Czarny/Black | 5,4+ 0,2-0 mm | OK. | OK. |
| 1210180153 | N | 2 | 4 | 0,5 mm2 | PVCH03 | Czarny/Black | 5,75+0,2-0 mm | OK. | OK. |
| 1210180046 | P | 2 | 2 | 0,5 mm2 | PUR - BLEND | Czarny/Black | 5,5+/-0,2 mm | OK. | OK. |
| - | P | 2 | 3 | 0,5 mm2 | PUR - BLEND | Czarny/Black | 5,5+/-0,2 mm | OK. | OK. |
| 1210180302 | P | 2 | 4 | 0,5 mm2 | PUR - BLEND | Czarny/Black | - | - | - |
| - | P | 2 | 5 | 0,5 mm2 | PUR - BLEND | Czarny/Black | 7+/-0,2 mm | OK. | OK. |
| 1210180409 | A | 3 | 2 | 18 AWG | PVC CSA/UL 2661 | Czarny/Black | 6,5+/-0,2 mm | OK. | |
| 1210180129 | A | 3 | 3 | 18 AWG | PVC CSA/UL 2661 | Czarny/Black | 6,5+/-0,2 mm | OK. | |
| 1210180159 | A | 3 | 4 | 18 AWG | PVC CSA/UL 2661 | Czarny/Black | 7+/-0,2 mm | OK. | |
| - | A | 3 | 5 | 18 AWG | PVC CSA/UL 2661 | Czarny/Black | 7,8+/-0,2 mm | OK. | |
| 1210180351 | B | 3 | 2 | 18 AWG | PUR CSA/UL 20668 | Czarny/Black | 6,5+/-0,2 mm | OK. | |
| 1210180127 | B | 3 | 3 | 18 AWG | PUR CSA/UL 20668 | Czarny/Black | 6,5+/-0,2 mm | OK. | |
| 1210180127 | B | 3 | 4 | 18 AWG | PUR CSA/UL 20668 | Czarny/Black | 7+/-0,2 mm | OK. | |
| - | B | 3 | 5 | 18 AWG | PUR CSA/UL 20668 | Czarny/Black | 7,8+/-0,2 mm | OK. | |
| 1210180073 | D | 3 | 3 | 0,75 mm2 | PVC TI2 CEI 20-20 | Szary/Grey | - | - | - |
| 1210180145 | D | 3 | 4 | 0,75 mm2 | PVC TI2 CEI 20-20 | Szary/Grey | - | - | - |
| 1210180120 | I | 3 | 3 | 0,75 mm2 | PVC CEI 2022 II O.R. | Szary/Grey RAL7035 | - | - | - |
| 1210180143 | I | 3 | 4 | 0,75 mm2 | PVC CEI 2022 II O.R. | Szary/Grey RAL7035 | - | - | - |
| 1210180032 | N | 3 | 2 | 0,75 mm2 | PVCH05 | Czarny/Black | 6,2+ 0,2-0 mm | OK. | |
| 1210180069 | N | 3 | 3 | 0,75 mm2 | PVCH05 | Czarny/Black | 6,6+0,2-0 mm | OK. | |
| - | N | 3 | 4 | 0,75 mm2 | PVCH05 | Czarny/Black | 7,15+0,2-0 mm | OK. | |
| 1210180174 | N | 3 | 5 | 0,75 mm2 | PVCH05 | Czarny/Black | 8,0+0,2-0 mm | OK. | |
| - | P | 3 | 2 | 0,75 mm2 | PUR - BLEND | Czarny/Black | 6,5+/-0,2 mm | OK. | |

TABELA 2 KABLE/TABLE 2 CABLES

| MOLEX PN | mPm | Code | PRZEW | PRZEKROJ | MATERIAL | KOLOR/COLOUR | SREDNICA Ø | DIN A-B | DIN C |
|------------|-----|------|-------|----------|----------------------|--------------------|--------------|---------|-------|
| 1210180071 | P | 3 | 3 | 0,75 mm2 | PUR - BLEND | Czarny/Black | 6,5+/-0,2 mm | OK. | |
| 1210180152 | P | 3 | 4 | 0,75 mm2 | PUR - BLEND | Czarny/Black | 7+/-0,2 mm | OK. | |
| 1210180384 | R | 3 | 3 | 0,75 mm2 | TPR HAL. FREE | Czarny/Black | 6,5+/-0,2 mm | OK. | |
| 1210180094 | T | 3 | 3 | 0,75 mm2 | PUR CSA/UL | Żółty/Yellow | - | - | - |
| 1210180309 | Y | 3 | 3 | 0,75 mm2 | SIL/0300 | Czerwony/Red | 6,5+/-0,2 mm | - | - |
| 1210180081 | F | 4 | 3 | 1 mm2 | CNOMO | Szary/Grey RAL7000 | - | - | - |
| - | F | 4 | 4 | 1 mm2 | CNOMO | Szary/Grey RAL7000 | 7,1+0,2-0 mm | OK. | |
| 1210180042 | I | 4 | 2 | 1 mm2 | PVC CEI 2022 II O.R. | Szary/Grey RAL7035 | 7,1+0,2-0 mm | OK. | |
| 1210180079 | I | 4 | 3 | 1 mm2 | PVC CEI 2022 II O.R. | Szary/Grey RAL7035 | 7,1+0,2-0 mm | OK. | |
| 1210180036 | N | 4 | 2 | 1 mm2 | PVCH05 | Czarny/Black | 6,5+0,2-0 mm | OK. | |
| 1210180082 | N | 4 | 3 | 1 mm2 | PVCH05 | Czarny/Black | 6,9+0,2-0 mm | OK. | |
| 1210180117 | R | 4 | 3 | 1 mm2 | TPR HAL. FREE | Czarny/Black | - | - | - |
| 1210180085 | N | 5 | 3 | 1,5 mm2 | PVCH05 | Czarny/Black | 8,3+0,2-0 mm | OK. | |
| 1210180313 | I | 6 | 2 | 0,35 mm2 | PVC CEI 2022 II O.R. | Szary/Grey RAL7035 | - | - | - |
| - | A | 7 | 3 | 20 AWG | PVC CSA/UL 2661 | Żółty/Yellow | 5,6+/-0,2 mm | OK. | OK. |
| 1210180149 | I | 9 | 4 | 0,75 mm2 | PVC CEI 2022 II O.R. | Szary/Grey RAL7035 | - | - | - |

TABELA 1 TYPY KABLI/TABLE 1 CABLES TYPE

| Znakowanie /Code | Rodzaje kabla /Cable type | Właściwości / Features | Przekroje /stranding |
|------------------|---------------------------|---|--|
| N | PVC | Kabel z dobrą rezystancją w wodzie ale słabą w oleju./Application general purpose cable which has good resistance to water, but usually poor oil resistance. | 0.5 mm2 = 15 x 0.20 0.75 mm2 = 21 x 0.20 1 mm2 = 28 x 0.20 |
| I | PVC | Zatwierdzone przez IEC 332-2A, samogaszący./Approved to IEC 332-2A, flame retardant and self extinguishing. Limited resistant to mineral oils. | 0.5 mm2 = 28 x 0.15 0.75 mm2 = 42 x 0.15 1 mm2 = 32 x 0.20 |
| P | PVC | Dobra rezystancja w olejach i chemikaljach./Offer good resistance to oil and chemicals. Can swell when constantly immersed in water. | 0.5 mm2 = 28 x 0.15 0.75 mm2 = 42 x 0.15 1 mm2 = 32 x 0.20 |
| A | PVC | Zatwierdzony porzez CSA-UL 2661.Dobra rezystancja na wode słaba na olej./ Approved to CSA-UL 2661, application general purpose cable which has good resistance to water, but usually poor oil resistance. | 20 AWG = 32 x 0.15 18 AWG = 52 x 0.15 |
| B | PVC | Zatwierdzony przez CSA-UL 20668, bardzo dobra rezystancja w oleju i chemikaljach./ Approved to CSA-UL 20668, very good resistance to oil and chemicals. | 20 AWG = 32 x 0.15 18 AWG = 52 x 0.15 |

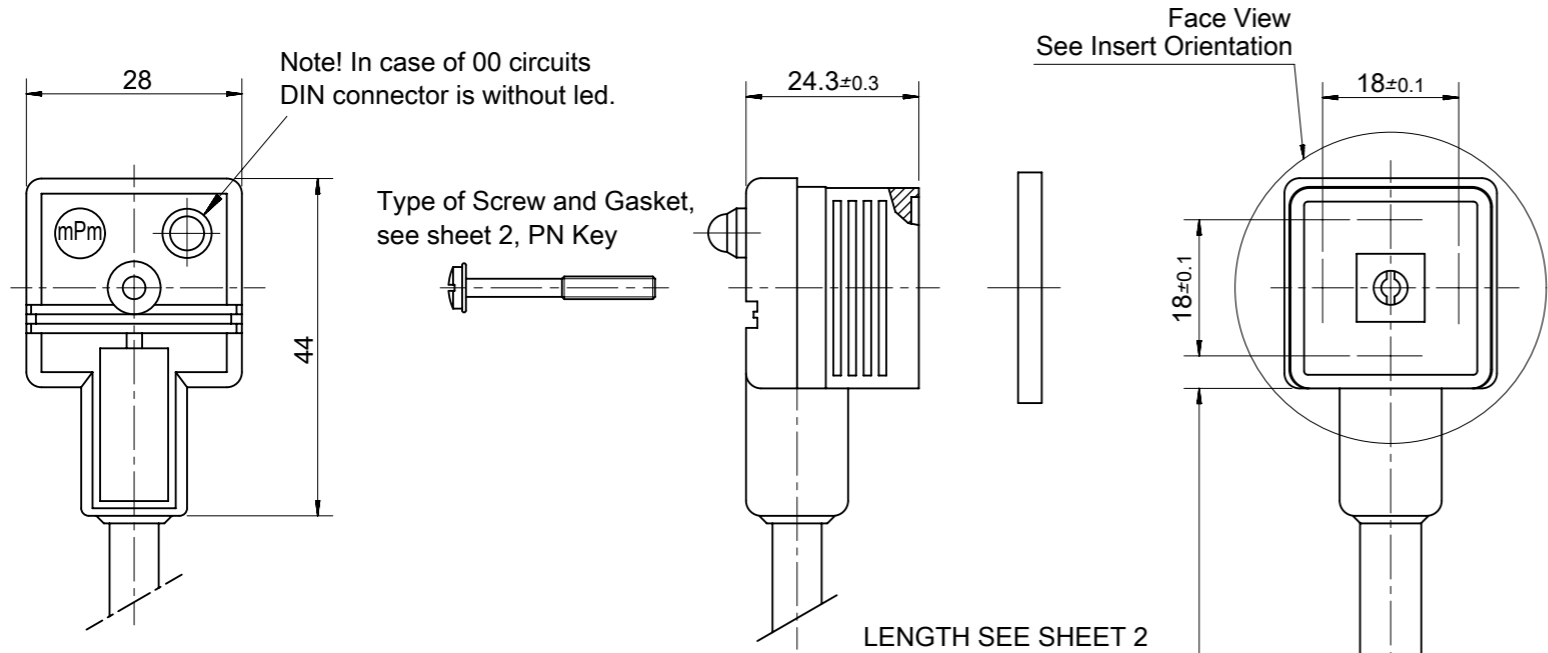
| | | | | | | | | | | | |
|---|--|------------------------|--|---|--|------------|--|-----------------|--|--------------------|--|
| THIS DRAWING CONTAINS INFORMATION THAT IS PROPRIETARY TO MOLEX ELECTRONIC TECHNOLOGIES, LLC AND SHOULD NOT BE USED WITHOUT WRITTEN PERMISSION | | | | | | | | | | | |
| DIMENSION UNITS mm | | SCALE NTS | | CURRENT REV DESC: REMOVED OBSOLETE PART NUMBER AS PER PCN#510806. | | | | molex | | MPM E453XXXXXXXXXX | |
| GENERAL TOLERANCES (UNLESS SPECIFIED) | | | | | | | | | | | |
| | | | | | | | | | | | |
| 4 PLACES ± | | MM | | EC NO: 733771 | | | | | | | |
| 3 PLACES ± | | INCH | | DRWN: LIKITV | | | | 2023/01/10 | | | |
| 2 PLACES ± | | | | CHK'D: GGA | | | | 2023/02/24 | | | |
| 1 PLACE ± | | | | APPR: GGA | | | | 2023/02/24 | | | |
| 0 PLACES ± | | | | INITIAL REVISION: | | | | | | | |
| ANGULAR TOL ± ° | | | | DRWN: MWOLSZCZAK | | | | 2009/01/20 | | | |
| | | | | APPR: GOGRODNIK | | | | 2009/01/20 | | | |
| DRAFT WHERE APPLICABLE MUST REMAIN WITHIN DIMENSIONS | | FIRST ANGLE PROJECTION | | DRAWING | | SERIES | | MATERIAL NUMBER | | CUSTOMER | |
| | | | | A3-SIZE | | 121040 | | SEE TABLE | | GENERAL MARKET | |
| DOCUMENT STATUS | | P1 | | RELEASE DATE | | 2023/02/24 | | 12:54:34 | | | |
| | | 9 | | 8 | | 7 | | 6 | | 5 | |
| | | 4 | | 3 | | 2 | | 1 | | | |

TABELA 3/CHART 3

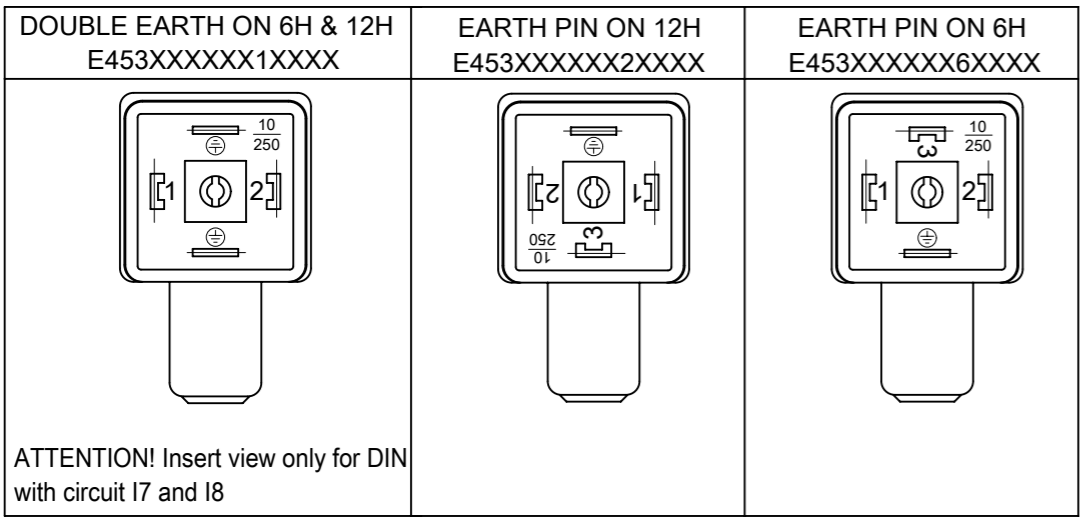
| MOLEX P/N | WOODHEAD P/N |
|------------|-----------------|
| 1210400525 | E453B3A10K22000 |
| 1210400526 | E453B3A10K62000 |
| 1210400527 | E453B3A30022000 |
| 1210400528 | E453B3A30062000 |
| 1210400529 | E453B3A50022000 |
| 1210400530 | E453B3A50062000 |
| 1210400539 | E453N3N30022000 |
| 1210400540 | E453N3N30062000 |
| 1210400541 | E453N3N50022000 |
| 1210400547 | E453P3N30022000 |
| 1210400550 | E453P3N50022000 |
| 1210400698 | E453A3A10K62000 |
| 1210400796 | E453N3N20062000 |
| 1210400833 | E453A3A10022000 |
| 1210400864 | E453B2A30022000 |
| 1210400937 | E453N3N2002P000 |
| 1210400953 | E453N3N1002P000 |
| 1210400967 | E453N3N5002P000 |
| 1210400973 | E453P3N2502P000 |
| 1210400980 | E453A3A15K62000 |
| 1210500845 | E453I3N30021Q62 |
| 1210500889 | E453P2N30021Q02 |
| 1210501823 | E453P2N50061Q12 |
| 1210501868 | E453P2N30021Q52 |
| 1210502033 | E453P3N40011I8H |
| 1210502410 | E453I2N30021Q12 |
| 1210502440 | E453I2N50021Q12 |

| MOLEX P/N | WOODHEAD P/N |
|------------|-----------------|
| 1210502454 | E453B3A50021Q02 |
| 1210502455 | E453B3A30021Q02 |
| 1210502517 | E453I2N10K21Q12 |
| 1210502557 | E453I2N50021Q02 |
| 1210502562 | E453N3N30022C44 |
| 1210501787 | E453N3N30061Q02 |
| 1210502887 | W453P2G5006RQ02 |
| 1210501869 | E453P2N50021Q52 |
| 1210503035 | E453N2N20061C42 |

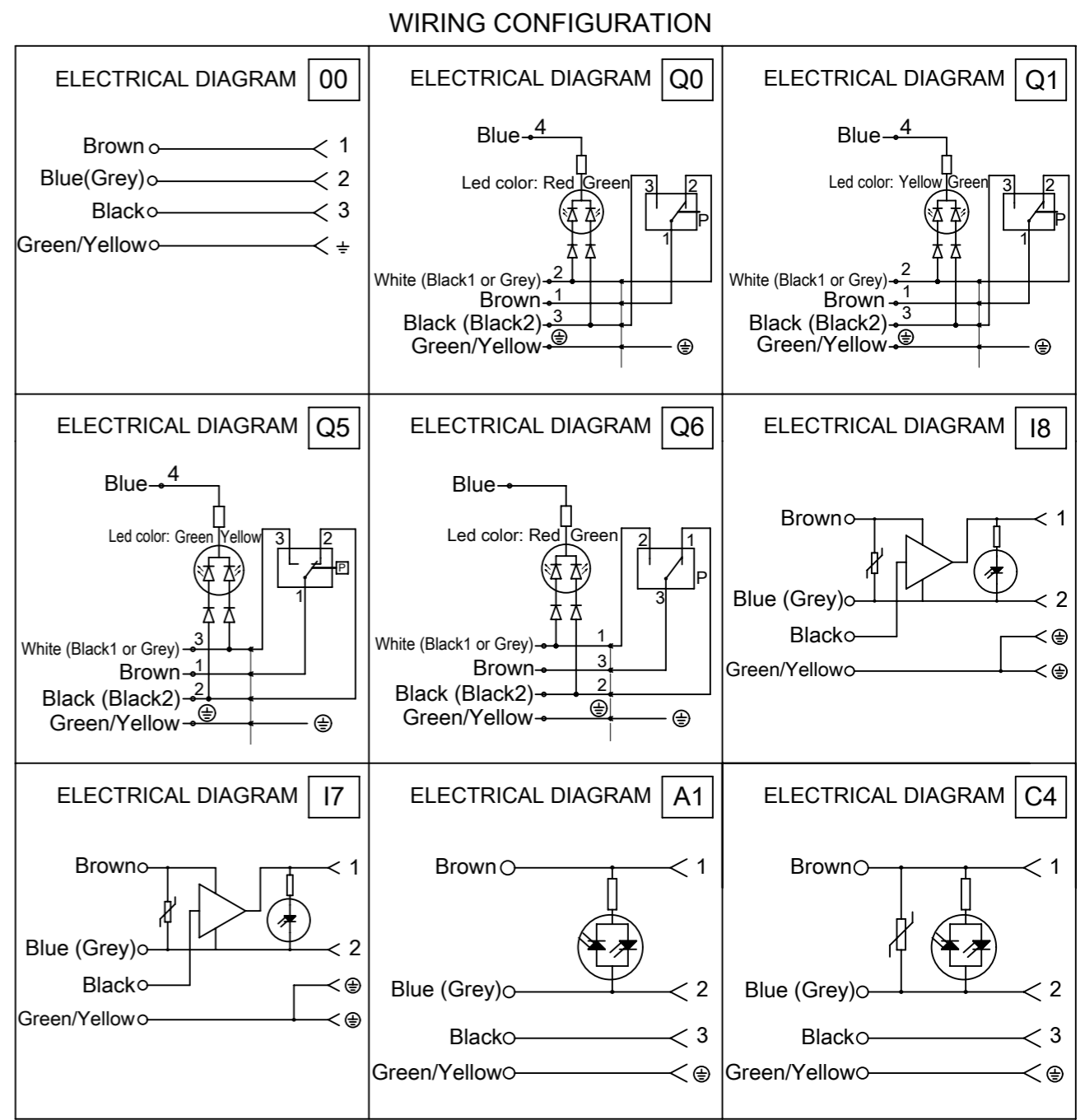
| | | | | | | | | | | | |
|---|--|---------------------|--|---|--|------------------------|--|--------------------------|--|-------------------------------------|--|
| THIS DRAWING CONTAINS INFORMATION THAT IS PROPRIETARY TO MOLEX ELECTRONIC TECHNOLOGIES, LLC AND SHOULD NOT BE USED WITHOUT WRITTEN PERMISSION | | | | | | | | | | | |
| DIMENSION UNITS mm | | SCALE NTS | | CURRENT REV DESC: REMOVED OBSOLETE PART NUMBER AS PER PCN#510806. | | | | molex | | MPM E453XXXXXXXXXX | |
| GENERAL TOLERANCES (UNLESS SPECIFIED) | | | | EC NO: 733771 | | 2023/01/10 | | | | | |
| | | | | DRWN: LIKITV | | 2023/02/24 | | PRODUCT CUSTOMER DRAWING | | | |
| | | | | CHK'D: GGA | | 2023/02/24 | | | | | |
| | | | | APPR: GGA | | | | | | | |
| | | | | INITIAL REVISION: | | | | DOCUMENT NUMBER | | DOC TYPE DOC PART REVISION | |
| | | | | DRWN: MWOLSZCZAK | | 2009/01/20 | | E453XXXXXXXXXX | | PSD 001 B2 | |
| | | | | APPR: GOGRODNIK | | 2009/01/20 | | | | | |
| | | | | ANGULAR TOL ± ° | | | | MATERIAL NUMBER | | CUSTOMER | |
| | | | | DRAFT WHERE APPLICABLE MUST REMAIN WITHIN DIMENSIONS | | FIRST ANGLE PROJECTION | | DRAWING | | SHEET NUMBER | |
| | | | | | | A3-SIZE | | 121040 | | SEE TABLE GENERAL MARKET 4 OF 4 | |



INSERT ORIENTATION



| Table of length tolerances [mm] | | |
|---------------------------------|---------------------|---------------|
| Over | Up to and including | Tolerance (+) |
| 0 | 1000 | ±20 |
| 1000 | 3000 | ±30 |
| 3000 | 5000 | ±40 |
| 5000 | 10000 | ±50 |
| 10000 | 15000 | ±100 |
| 15000 | 20000 | ±150 |
| 20000 | | ±L/100 |

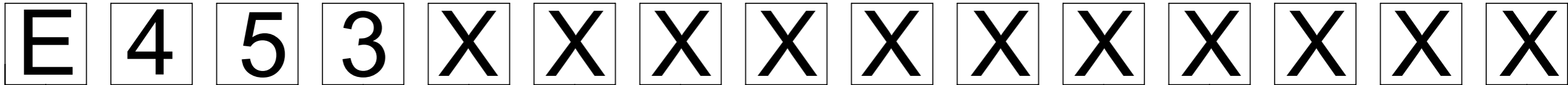


THIS DRAWING CONTAINS INFORMATION THAT IS PROPRIETARY TO MOLEX ELECTRONIC TECHNOLOGIES, LLC AND SHOULD NOT BE USED WITHOUT WRITTEN PERMISSION

| | | | |
|--|------------------------|---|--------------|
| DIMENSION UNITS | SCALE | CURRENT REV DESC: OBSOLETE PART NUMBERS | |
| mm | NTS | | |
| GENERAL TOLERANCES (UNLESS SPECIFIED) | | | |
| | MM | INCH | |
| 4 PLACES | ± | ± | |
| 3 PLACES | ± | ± | |
| 2 PLACES | ± | ± | |
| 1 PLACE | ± | ± | |
| 0 PLACES | ± | ± | |
| ANGULAR TOL | ± ° | | |
| DRAFT WHERE APPLICABLE MUST REMAIN WITHIN DIMENSIONS | THIRD ANGLE PROJECTION | DRAWING | SHEET NUMBER |
| | | A3-SIZE | 121050 |

| | | |
|-------------------|-------------------|------------|
| EC NO: 638770 | DRWN: RPRABHUM | 2020/03/05 |
| CHK'D: GGA | APPR: GGA | 2020/07/21 |
| INITIAL REVISION: | DRWN: JMARSZALEK | 2012/11/27 |
| | APPR: MIWASIECZKO | 2014/01/30 |

| | | | |
|-----------------|----------------|--------------|----------|
| DOCUMENT NUMBER | DOC TYPE | DOC PART | REVISION |
| SD-121050-006 | PSD | 001 | D |
| MATERIAL NUMBER | CUSTOMER | SHEET NUMBER | |
| SEE SHEET 2 & 4 | GENERAL MARKET | 1 OF 10 | |



E - Packing without bags
 W - Single packing
 Q - Quick packing

NUMBER OF WIRES:
 3=3 WIRES + EARTH
 OR
 3=4 WIRES + EARTH (FOR Q CIRCUIT)

CABLE TYPE
 SEE SHEET 3 - TABLE 1

CABLE CROSS SECTION AREA
 SEE SHEET 3 - TABLE 2

HEAD COLOUR:

N=BLACK;
 A=CSA-UL BLACK;
 B=CSA-UL GREY.

CABLE LENGTH IN CM
 Eg.:050=50 CM, 300=300 CM, 10K=1000 CM.

EARTH PIN LOCATION (SEE INSERT ORIENTATION TABLE):

1=DOUBLE EARTH ON 6H AND 12H,
 2=EARTH ON 12H,
 6=EARTH ON 6H.

TYPE OF GASKET AND SCREW:

1=NBR PROFILE GASKET + FIXING SCREWS (M3x25 mm)
 2=NBR FLAT GASKET + FIXING SCREW (M3x25 mm)
 3=SILICONE PROFILE GASKET + FIXING SCREW (M3x25 mm)
 4=SILICON FLAT GASKET + FIXING SCREW (M3x25 mm)
 P=INTEGRATED GASKET ASSEMBLED + FIXING SCREW WITH WASHER ASSEMBLED (M3x27 mm)
 R=INTAGRATED GASKET + FIXING SCREW + WASHER (M3x27 mm)
 T=PROFILE GASKET + FIXING SCREW + WASHER (M3x27 mm)

INTERNAL CIRCUIT, WIRING CONFIGURATION

VOLTAGE AND LED COLOUR:

NOTE: FOR CIRCUIT TYPE Q - BICOLOR LED - ONLY 1,2,3,4,5

| | | | | | |
|---------|-----------|---------|-------------|---------|--------------|
| 1= 12V | } RED LED | A= 12V | } GREEN LED | G= 12V | } YELLOW LED |
| 2= 24V | | B= 24V | | H= 24V | |
| 3= 48V | | C= 48V | | K= 48V | |
| 4= 115V | | D= 115V | | L= 115V | |
| 5= 230V | | E= 230V | | M= 230V | |

| | | | | | | | | | |
|---|--|-------|--|--|--|------------------------|--|--------------------------|--|
| THIS DRAWING CONTAINS INFORMATION THAT IS PROPRIETARY TO MOLEX ELECTRONIC TECHNOLOGIES, LLC AND SHOULD NOT BE USED WITHOUT WRITTEN PERMISSION | | | | | | | | | |
| DIMENSION UNITS | | SCALE | | CURRENT REV DESC: OBSOLETE PART NUMBERS | | | | molex | |
| mm | | NTS | | | | | | | |
| GENERAL TOLERANCES (UNLESS SPECIFIED) | | | | EC NO: 638770 | | 2020/03/05 | | E453XXXXXXXXXX | |
| | | | | DRWN: RPRABHUM | | 2020/07/21 | | DIN FORM A EN 175301-803 | |
| | | | | CHK'D: GGA | | 2020/07/21 | | PRODUCT CUSTOMER DRAWING | |
| | | | | APPR: GGA | | 2020/07/21 | | | |
| | | | | INITIAL REVISION: | | | | DOCUMENT NUMBER | |
| | | | | DRWN: JMARSZALEK | | 2012/11/27 | | SD-121050-006 | |
| | | | | APPR: MIWASIECZKO | | 2014/01/30 | | PSD 001 D | |
| ANGULAR TOL ± ° | | | | DRAFT WHERE APPLICABLE MUST REMAIN WITHIN DIMENSIONS | | THIRD ANGLE PROJECTION | | DRAWING | |
| | | | | | | A3-SIZE | | SERIES | |
| | | | | | | 121050 | | MATERIAL NUMBER | |
| | | | | | | SEE SHEET 2 & 4 | | CUSTOMER | |
| | | | | | | GENERAL MARKET | | SHEET NUMBER | |
| | | | | | | 2 OF 10 | | | |

| | | | | |
|-----------------|----|--------------|------------|----------|
| DOCUMENT STATUS | P1 | RELEASE DATE | 2020/07/21 | 04:42:58 |
|-----------------|----|--------------|------------|----------|

TABLE 2 - CABLES

| Cable type | Cable code | Wires no. | Cross Section | Jacket material | Jacket color | Diameter Ø[mm] | Wire colors |
|------------|------------|-----------|----------------------|----------------------|--------------|----------------|-----------------------|
| I | 0 | 3 | 1 mm ² | PVC CEI 2022 II O.R. | Grey | 7.6±0.2 | BN, BU, GN/YE |
| A | 2 | 2 | 20 AWG | PVC CSA/UL 2661 | Black | 5.4±0.2 | BN, BU |
| A | 2 | 3 | 20 AWG | PVC CSA/UL 2661 | Black | 5.6±0.2 | BN, BU, GN/YE |
| A | 2 | 4 | 20 AWG | PVC CSA/UL 2661 | Black | 6.2±0.25 | BN, BU, BK, GN/YE |
| B | 2 | 2 | 20 AWG | PUR CSA/UL 20668 | Black | 5.6±0.2 | BN, BU |
| B | 2 | 3 | 20 AWG | PUR CSA/UL 20668 | Black | 5.6±0.2 | BN, BU, GN/YE |
| B | 2 | 4 | 0.5 mm ² | PUR CSA/UL 20668 | Black | 6.3±0.2 | BN, BU, BK, GN/YE |
| D | 2 | 3 | 0.5 mm ² | PVC CEI 20-20 | Grey | 5.5+0.3/-0 | BN, BU, GN/YE |
| I | 2 | 2 | 0.5 mm ² | PVC CEI 2022 II O.R. | Grey | 5.5+0.3/-0 | BN, BU |
| I | 2 | 3 | 0.5 mm ² | PVC CEI 2022 II O.R. | Grey | 5.5+0.3/-0 | BN, BU, GN/YE |
| I | 2 | 4 | 0.5 mm ² | PVC CEI 2022 II O.R. | Grey | 6.5±0.2 | BN, BU, BK, GN/YE |
| I | 2 | 5 | 0.5 mm ² | PVC CEI 2022 II O.R. | Grey | 7.0+0.3/-0 | BN, BU, BK, WH, GN/YE |
| N | 2 | 2 | 0.5 mm ² | PVC H03VV-F | Black | 5.2±0.2 | BN, BU |
| N | 2 | 3 | 0.5 mm ² | PVC H03VV-F | Black | 5.5±0.2 | BN, BU, GN/YE |
| N | 2 | 4 | 0.5 mm ² | PVC H03VV-F | Black | 5.9±0.3 | BN, BU, BK, GN/YE |
| P | 2 | 2 | 0.5 mm ² | PUR - BLEND | Black | 5.5±0.2 | BN, BU |
| P | 2 | 3 | 0.5 mm ² | PUR - BLEND | Black | 5.5+0.3/-0 | BN, BU, GN/YE |
| P | 2 | 4 | 0.5 mm ² | PUR - BLEND | Black | 6.5±0.2 | BN, BU, BK, GN/YE |
| P | 2 | 5 | 0.5 mm ² | PUR - BLEND | Black | 7+0.3/-0.1 | BN, BU, BK, WH, GN/YE |
| A | 3 | 2 | 18 AWG | PVC CSA/UL 2661 | Black | 6.2±0.25 | BN, BU |
| A | 3 | 3 | 18 AWG | PVC CSA/UL 2661 | Black | 6.5±0.25 | BN, BU, GN/YE |
| A | 3 | 4 | 18 AWG | PVC CSA/UL 2661 | Black | 7.0+0.3/-0 | BN, BU, BK, GN/YE |
| A | 3 | 5 | 18 AWG | PVC CSA/UL 2661 | Black | 7.8±0.25 | BN, BU, BK, WH, GN/YE |
| B | 3 | 2 | 18 AWG | PUR CSA/UL 20668 | Black | 6.2±0.2 | BN, BU |
| B | 3 | 3 | 18 AWG | PUR CSA/UL 20668 | Black | 6.5±0.2 | BN, BU, GN/YE |
| B | 3 | 4 | 18 AWG | PUR CSA/UL 20668 | Black | 7±0.2 | BN, BU, BK, GN/YE |
| B | 3 | 5 | 18 AWG | PUR CSA/UL 20668 | Black | 7.8±0.25 | BN, BU, BK, WH, GN/YE |
| D | 3 | 3 | 0.75 mm ² | PVC CEI 20-20 | Grey | 6.5±0.2 | BN, BU, GN/YE |
| D | 3 | 4 | 0.75 mm ² | PVC CEI 20-20 | Grey | 7.1±0.2 | BN, BU, BK, GN/YE |
| I | 3 | 2 | 0.75 mm ² | PVC CEI 2022 II O.R. | Grey | 5.5±0.2 | BK1, BK2 |
| I | 3 | 3 | 0.75 mm ² | PVC CEI 2022 II O.R. | Grey | 6.0±0.2 | BK1, BK2, BK3 |
| I | 3 | 4 | 0.75 mm ² | PVC CEI 2022 II O.R. | Grey | 7.0±0.2 | BN, BU, BK, GN/YE |
| N | 3 | 2 | 0.75 mm ² | PVC H05VV-F | Black | 6.2±0.2 | BN, BU |
| N | 3 | 3 | 0.75 mm ² | PVC H05VV-F | Black | 6.5±0.2 | BN, BU, GN/YE |
| N | 3 | 4 | 0.75 mm ² | PVC H05VV-F | Black | 7.1±0.2 | BN, BU, BK, GN/YE |
| N | 3 | 5 | 0.75 mm ² | PVC H05VV-F | Black | 8.0+0.2/-0 | BN, BU, BK, GY, GN/YE |
| P | 3 | 2 | 0.75 mm ² | PUR - BLEND | Black | 6.5±0.2 | BN, BU |
| P | 3 | 3 | 0.75 mm ² | PUR - BLEND | Black | 6.5±0.2 | BN, BU, GN/YE |
| P | 3 | 4 | 0.75 mm ² | PUR - BLEND | Black | 7.0±0.2 | BN, BU, BK, GN/YE |

TABLE 2 - CABLES

| Cable type | Cable code | Wires no. | Cross Section | Jacket material | Jacket color | Diameter Ø[mm] | Wire colors |
|------------|------------|-----------|----------------------|----------------------|--------------|----------------|-------------------|
| R | 3 | 3 | 0.75 mm ² | TPR HAL. FREE | Black | 6.5±0.2 | BN, BU, GN/YE |
| T | 3 | 3 | 0.75 mm ² | PUR CSA/UL 20668 | Yellow | 6.5±0.2 | BN, BU, GN/YE |
| Y | 3 | 3 | 0.75 mm ² | SILICONE RUBBER | Red | 6.5±0.2 | BN, BU, GN/YE |
| F | 4 | 3 | 1 mm ² | PVC CNOMO | Grey | 7.1+0.2/-0 | BK1, BK2, GN/YE |
| I | 4 | 2 | 1 mm ² | PVC CEI 2022 II O.R. | Grey | 7.1+0.2/-0 | BN, BU |
| I | 4 | 3 | 1 mm ² | PVC CEI 2022 II O.R. | Grey | 7.1+0.2/-0 | BN, BU, GN/YE |
| N | 4 | 2 | 1 mm ² | PVC H05VV-F | Black | 6.5±0.2 | BN, BU |
| N | 4 | 3 | 1 mm ² | PVC H05VV-F | Black | 6.9±0.2 | BN, BU, GN/YE |
| R | 4 | 3 | 1 mm ² | TPR HAL.FREE | Black | 7.1±0.2 | BN, BU, GN/YE |
| N | 5 | 3 | 1.5 mm ² | PVC H05VV-F | Black | 7.9±0.2 | BN, BU, GN/YE |
| I | 6 | 2 | 0.35 mm ² | PVC CEI 2011 | Grey | 4.8±0.2 | BN, WH |
| I | 9 | 4 | 0.75 mm ² | PVC CEI 2022 II | Grey | 7.3±0.2 | BN, BU, BK, GN/YE |

TABLE 1 - CABLES TYPE

| Code | Cable types | Features | Cable type Cross section |
|------|-------------|---|---|
| N | PVC | Application general purpose cable which has good resistance to water, but usually poor oil resistance. | N2=0.5 mm ² N3=0.75 mm ² N4=1 mm ² |
| I | CEI | Approved to IEC 332-2A, flame retardant and self extinguishing. Limited resistant to mineral oils. | I2=0.5 mm ² I3=0.75 mm ² I4=1 mm ² |
| P | PUR | Offer good resistance to oil and chemicals. Can swell when constantly immersed in water. | P2=0.5 mm ² P3=0.75 mm ² P4=1 mm ² |
| A | PVC CSA-UL | Approved to CSA-UL 2661, application general purpose cable which has good resistance to water, but usually poor oil resistance. | A2=20 AWG A3=18 AWG |
| B | PUR CSA-UL | Approved to CSA-UL 20668, very good resistance to oil and chemicals. | B2=20 AWG B3=18 AWG |



| | | | | | | | | | |
|---|--|---|--|---|--|------------------------------|--|---|--|
| THIS DRAWING CONTAINS INFORMATION THAT IS PROPRIETARY TO MOLEX ELECTRONIC TECHNOLOGIES, LLC AND SHOULD NOT BE USED WITHOUT WRITTEN PERMISSION | | | | | | | | | |
| DIMENSION UNITS | | SCALE | | CURRENT REV DESC: OBSOLETE PART NUMBERS | | | |  | |
| mm | | NTS | | | | | | | |
| GENERAL TOLERANCES (UNLESS SPECIFIED) | | | | | | | | | |
| | | MM | | INCH | | | | | |
| 4 PLACES | | ± | | ± | | EC NO: 638770 | | | |
| 3 PLACES | | ± | | ± | | DRWN: RPRABHUM 2020/03/05 | | | |
| 2 PLACES | | ± | | ± | | CHK'D: GGA 2020/07/21 | | | |
| 1 PLACE | | ± | | ± | | APPR: GGA 2020/07/21 | | | |
| 0 PLACES | | ± | | ± | | INITIAL REVISION: | | | |
| ANGULAR TOL | | ± ° | | ± ° | | DRWN: JMARSZALEK 2012/11/27 | | | |
| | | | | | | APPR: MIWASIECZKO 2014/01/30 | | | |
| DRAFT WHERE APPLICABLE MUST REMAIN WITHIN DIMENSIONS | | THIRD ANGLE PROJECTION | | DRAWING | | SERIES | | MATERIAL NUMBER | |
| | |  | | A3-SIZE | | 121050 | | SEE SHEET 2 & 4 | |
| | | | | | | CUSTOMER | | SHEET NUMBER | |
| | | | | | | GENERAL MARKET | | 3 OF 10 | |

TABLE 3 - PART LIST

| Pos. | Molex PN: | Engineering No.: | Pos. | Molex PN: | Engineering No.: | Pos. | Molex PN: | Engineering No.: | Pos. | Molex PN: | Engineering No.: | Pos. | Molex PN: | Engineering No.: |
|------|------------|------------------|------|------------|------------------|------|------------|------------------|------|-----------|------------------|------|-----------|------------------|
| 1201 | 2210508841 | E453P2N30021Q0G | 1241 | 2210508881 | E453P3N10K21I75 | 1281 | 2210508921 | E453P3N20021I7K | | | | | | |
| 1202 | 2210508842 | E453P2N30021Q0H | 1242 | 2210508882 | E453P3N10K21I7A | 1282 | 2210508922 | E453P3N20021I7L | | | | | | |
| 1203 | 2210508843 | E453P2N30021Q0K | 1243 | 2210508883 | E453P3N10K21I7B | 1283 | 2210508923 | E453P3N20021I7M | | | | | | |
| 1204 | 2210508844 | E453P2N30021Q0L | 1244 | 2210508884 | E453P3N10K21I7C | 1284 | 2210508924 | E453P3N30011000 | | | | | | |
| 1205 | 2210508845 | E453P2N30021Q0M | 1245 | 2210508885 | E453P3N10K21I7D | 1285 | 2210508925 | E453P3N30021I71 | | | | | | |
| 1206 | 2210508846 | E453P2N50021Q01 | 1246 | 2210508886 | E453P3N10K21I7E | 1286 | 2210508926 | E453P3N30021I72 | | | | | | |
| 1207 | 2210508847 | E453P2N50021Q03 | 1247 | 2210508887 | E453P3N10K21I7G | 1287 | 2210508927 | E453P3N30021I73 | | | | | | |
| 1208 | 2210508848 | E453P2N50021Q04 | 1248 | 2210508888 | E453P3N10K21I7H | 1288 | 2210508928 | E453P3N30021I74 | | | | | | |
| 1209 | 2210508849 | E453P2N50021Q05 | 1249 | 2210508889 | E453P3N10K21I7K | 1289 | 2210508929 | E453P3N30021I75 | | | | | | |
| 1210 | 2210508850 | E453P2N50021Q0A | 1250 | 2210508890 | E453P3N10K21I7L | 1290 | 2210508930 | E453P3N30021I7A | | | | | | |
| 1211 | 2210508851 | E453P2N50021Q0B | 1251 | 2210508891 | E453P3N10K21I7M | 1291 | 2210508931 | E453P3N30021I7B | | | | | | |
| 1212 | 2210508852 | E453P2N50021Q0C | 1252 | 2210508892 | E453P3N15011000 | 1292 | 2210508932 | E453P3N30021I7C | | | | | | |
| 1213 | 2210508853 | E453P2N50021Q0D | 1253 | 2210508893 | E453P3N15021I71 | 1293 | 2210508933 | E453P3N30021I7D | | | | | | |
| 1214 | 2210508854 | E453P2N50021Q0E | 1254 | 2210508894 | E453P3N15021I72 | 1294 | 2210508934 | E453P3N30021I7E | | | | | | |
| 1215 | 2210508855 | E453P2N50021Q0G | 1255 | 2210508895 | E453P3N15021I73 | 1295 | 2210508935 | E453P3N30021I7G | | | | | | |
| 1216 | 2210508856 | E453P2N50021Q0H | 1256 | 2210508896 | E453P3N15021I74 | 1296 | 2210508936 | E453P3N30021I7H | | | | | | |
| 1217 | 2210508857 | E453P2N50021Q0K | 1257 | 2210508897 | E453P3N15021I75 | 1297 | 2210508937 | E453P3N30021I7K | | | | | | |
| 1218 | 2210508858 | E453P2N50021Q0L | 1258 | 2210508898 | E453P3N15021I7A | 1298 | 2210508938 | E453P3N30021I7L | | | | | | |
| 1219 | 2210508859 | E453P2N50021Q0M | 1259 | 2210508899 | E453P3N15021I7B | 1299 | 2210508939 | E453P3N30021I7M | | | | | | |
| 1220 | 2210508860 | E453P3N10011000 | 1260 | 2210508900 | E453P3N15021I7C | 1300 | 2210508940 | E453P3N50011000 | | | | | | |
| 1221 | 2210508861 | E453P3N10021I71 | 1261 | 2210508901 | E453P3N15021I7D | 1301 | 2210508941 | E453P3N50021I71 | | | | | | |
| 1222 | 2210508862 | E453P3N10021I72 | 1262 | 2210508902 | E453P3N15021I7E | 1302 | 2210508942 | E453P3N50021I72 | | | | | | |
| 1223 | 2210508863 | E453P3N10021I73 | 1263 | 2210508903 | E453P3N15021I7G | 1303 | 2210508943 | E453P3N50021I73 | | | | | | |
| 1224 | 2210508864 | E453P3N10021I74 | 1264 | 2210508904 | E453P3N15021I7H | 1304 | 2210508944 | E453P3N50021I74 | | | | | | |
| 1225 | 2210508865 | E453P3N10021I75 | 1265 | 2210508905 | E453P3N15021I7K | 1305 | 2210508945 | E453P3N50021I75 | | | | | | |
| 1226 | 2210508866 | E453P3N10021I7A | 1266 | 2210508906 | E453P3N15021I7L | 1306 | 2210508946 | E453P3N50021I7A | | | | | | |
| 1227 | 2210508867 | E453P3N10021I7B | 1267 | 2210508907 | E453P3N15021I7M | 1307 | 2210508947 | E453P3N50021I7B | | | | | | |
| 1228 | 2210508868 | E453P3N10021I7C | 1268 | 2210508908 | E453P3N20011000 | 1308 | 2210508948 | E453P3N50021I7C | | | | | | |
| 1229 | 2210508869 | E453P3N10021I7D | 1269 | 2210508909 | E453P3N20021I71 | 1309 | 2210508949 | E453P3N50021I7D | | | | | | |
| 1230 | 2210508870 | E453P3N10021I7E | 1270 | 2210508910 | E453P3N20021I72 | 1310 | 2210508950 | E453P3N50021I7E | | | | | | |
| 1231 | 2210508871 | E453P3N10021I7G | 1271 | 2210508911 | E453P3N20021I73 | 1311 | 2210508951 | E453P3N50021I7G | | | | | | |
| 1232 | 2210508872 | E453P3N10021I7H | 1272 | 2210508912 | E453P3N20021I74 | 1312 | 2210508952 | E453P3N50021I7H | | | | | | |
| 1233 | 2210508873 | E453P3N10021I7K | 1273 | 2210508913 | E453P3N20021I75 | 1313 | 2210508953 | E453P3N50021I7K | | | | | | |
| 1234 | 2210508874 | E453P3N10021I7L | 1274 | 2210508914 | E453P3N20021I7A | 1314 | 2210508954 | E453P3N50021I7L | | | | | | |
| 1235 | 2210508875 | E453P3N10021I7M | 1275 | 2210508915 | E453P3N20021I7B | 1315 | 2210508955 | E453P3N50021I7M | | | | | | |
| 1236 | 2210508876 | E453P3N10K11000 | 1276 | 2210508916 | E453P3N20021I7C | 1316 | 1210500877 | E453P2G50062Q02 | | | | | | |
| 1237 | 2210508877 | E453P3N10K21I71 | 1277 | 2210508917 | E453P3N20021I7D | 1317 | 1210503525 | E453P2N15K61Q12 | | | | | | |
| 1238 | 2210508878 | E453P3N10K21I72 | 1278 | 2210508918 | E453P3N20021I7E | 1318 | 1210503585 | E453B3A3002PQ02 | | | | | | |
| 1239 | 2210508879 | E453P3N10K21I73 | 1279 | 2210508919 | E453P3N20021I7G | | | | | | | | | |
| 1240 | 2210508880 | E453P3N10K21I74 | 1280 | 2210508920 | E453P3N20021I7H | | | | | | | | | |

| | | | | |
|-----------------|----|--------------|------------|----------|
| DOCUMENT STATUS | P1 | RELEASE DATE | 2020/07/21 | 04:42:58 |
|-----------------|----|--------------|------------|----------|

| | | | | | | | |
|---|-------|--|---------|--------|-----------------|----------------|--------------|
| THIS DRAWING CONTAINS INFORMATION THAT IS PROPRIETARY TO MOLEX ELECTRONIC TECHNOLOGIES, LLC AND SHOULD NOT BE USED WITHOUT WRITTEN PERMISSION | | | | | | | |
| DIMENSION UNITS | SCALE | CURRENT REV DESC: OBSOLETE PART NUMBERS | | | | | |
| mm | NTS | molex E453XXXXXXXXXX DIN FORM A EN 175301-803 PRODUCT CUSTOMER DRAWING | | | | | |
| GENERAL TOLERANCES (UNLESS SPECIFIED) | | | | | | | |
| | MM | | | | | INCH | |
| 4 PLACES | ± | | | | | ± | |
| 3 PLACES | ± | | | | | ± | |
| 2 PLACES | ± | | | | | ± | |
| 1 PLACE | ± | | | | | ± | |
| 0 PLACES | ± | ± | | | | | |
| ANGULAR TOL | ± | ° | | | | | |
| DRAFT WHERE APPLICABLE MUST REMAIN WITHIN DIMENSIONS | | THIRD ANGLE PROJECTION | DRAWING | SERIES | MATERIAL NUMBER | CUSTOMER | SHEET NUMBER |
| | | | A3-SIZE | 121050 | SEE SHEET 2 & 4 | GENERAL MARKET | 10 OF 10 |

EC NO: 638770
DRWN: RPRABHUM 2020/03/05
CHK'D: GGA 2020/07/21
APPR: GGA 2020/07/21
INITIAL REVISION:
DRWN: JMARSZALEK 2012/11/27
APPR: MIWASIECZKO 2014/01/30
DOCUMENT NUMBER: SD-121050-006
DOC TYPE: PSD
DOC PART: 001
REVISION: D