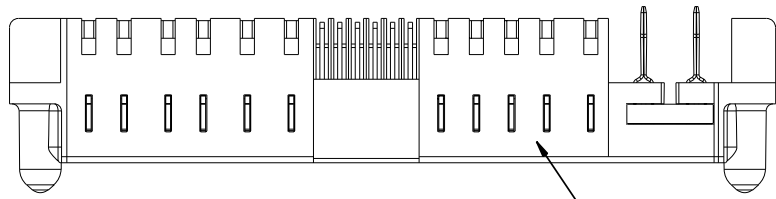


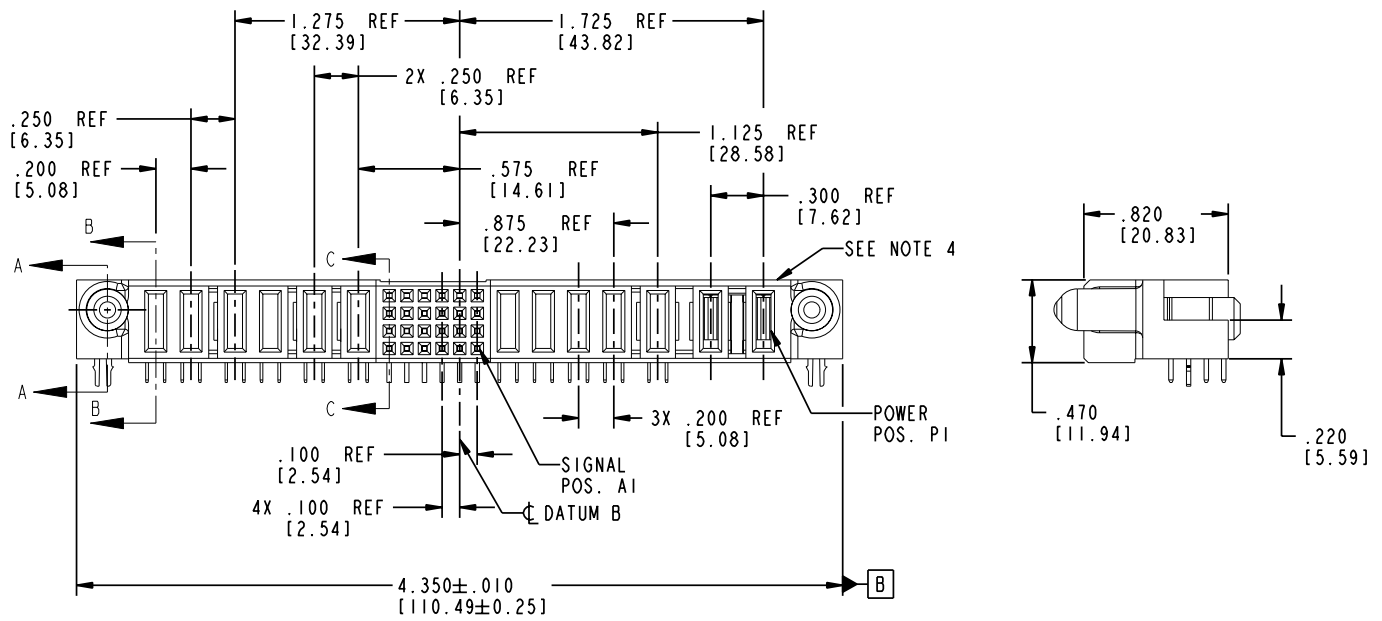
Tous droits strictement réservés. Reproduction ou communication a des tiers interdite sous quelque forme que ce soit sans autorisation écrite du propriétaire. Propriété de c FCI. Droits de reproduction FCI.

All rights strictly reserved. Reproduction or issue to third parties in any form whatever is not permitted without written authority from the proprietor. Property of FCI. Copyright FCI.

PRODUCT NUMBER
51894-001
 Note: ③



SEE NOTE 4



mat'l code		SEE NOTE 2		tolerances unless otherwise specified		CUSTOMER		 www.fciconnect.com	
ltr	ecn no.	dr	date	linear	$.XX \pm .01/0.X \pm 0.3$	COPY		title	
A	V03-0028	TAB	01/16/03	linear	$.XXX \pm .005/0.XX \pm 0.13$	projection		2ACP + 5P + 24S + 6P R/A SOLDER RECEPT SPECIAL CABLE	
B	DG05-0112	GuoJM	05/15/05	angles	$.XXX \pm .0020/0.XX \pm 0.051$			product family	
				dr	B. ROHRBAUGH	08/27/02	INCH/MM		PwrBlade
				enr	J. ALLISON	08/28/02	scale		code
				chr	J. ALLISON	08/27/02	1:1		213
				appd	J. ALLISON	08/27/02	size		sheet
sheet index		revision	B	B	B	B	A		1 of 4
		sheet	1	2	3	4	51894-001		

Pro/E

cage code **22526**

PDM: Rev:B

STATUS: Released

Printed: Dec 20, 2010

Tous droits strictement réservés. Reproduction ou communication a des tiers interdite sous quelque forme que ce soit sans autorisation écrite du propriétaire. Propriété de c FCI. Droits de reproduction FCI.

FCI

All rights strictly reserved. Reproduction or issue to third parties in any form, whatever is not permitted without written authority from the proprietor. Property of FCI. Copyright FCI.

NOTES:

1. DIMENSIONS AND TOLERANCES ARE IN ACCORDANCE WITH ASME Y14.5M, 1994 UNLESS OTHERWISE SPECIFIED.

CONNECTOR NOTES:

2. HOUSING MATERIAL: UL 94 V-0 GLASS FILLED

HIGH-TEMP THERMOPLASTIC
POWER CONTACT MATERIAL: COPPER ALLOY
SIGNAL PIN MATERIAL: COPPER ALLOY

3. PLATING:

51894-001 Singal Pin: 30u"/0.76um Au OVER 50u"/1.27um Ni ON THE CONTACT AREA,
AND 100u"/2.54um SnPb PLATING OVER 50u"/1.27um Ni ON THE TERMINATION SECTION.
Power Pin: 30u"/0.76um Au OVER 50u"/1.27um Ni ON THE CONTACT AREA,
AND 100u"/2.54um SnPb PLATING OVER 50u"/1.27um Ni ON THE TERMINATION SECTION.

51894-001LF Singal Pin: 30u"/0.76um Au OVER 50u"/1.27um Ni ON THE CONTACT AREA,
AND 78u"/2.00um Sn PLATING OVER 50u"/1.27um Ni ON THE TERMINATION SECTION.
Power Pin: 30u"/0.76um Au OVER 50u"/1.27um Ni ON THE CONTACT AREA,
AND 78u"/2.00um Sn PLATING OVER 50u"/1.27um Ni ON THE TERMINATION SECTION.

PART NUMBER 51894-001LF MEETS EUROPEAN UNION DIRECTIVE AND OTHER COUNTRY REGULATIONS AS DESCRIBED IN GS-22-008.

THE HOUSING WILL WITHSTAND EXPOSURE TO 260° PEAK TEMPERATURE FOR 10 SECONDS IN A WAVE SOLDER APPLICATION WITH A CIRCUIT BOARD.

4. MANUFACTURER'S NAME, P/N, AND DATE CODE TO APPEAR ON THIS SURFACE.

5. PERFORMANCE
PRODUCT SPECIFICATION GS-12-149, EXCEPT POWER CONTACTS P1/P2.
P1/P2 CURRENT CARRYING CAPACITY MAXIMUM 23.5A, 30° MAX-T-RISE.
GENERIC 12 GAGE CABLE AND QUICK DISCONNECT TERMINAL.

PCB NOTES:

6. ALL HOLE DIAMETERS ARE FINISHED HOLE SIZE.

7. MOUNTING HOLES, WHERE APPLICABLE, ARE UNPLATED.

8. Ø.0453±.0010 [1.151±0.025] DRILLED HOLES PLATED
WITH .0003 [0.008] MIN SnPb OVER .001 [0.03]
TO .003 [0.08] Cu PLATING TO ACHIEVE
Ø.040±.003 [1.02±.07] HOLE.

9. "DIM XXX" TO BE DETERMINED BY THE CUSTOMER.

10. CONNECTOR KEEP-OUT ZONE.

11. PACKAGE IN TRAYS.

PRODUCT NO.	ROWS	SIGNAL																				
		E2	P13	P12	P11	P10	P9	P8	6	5	4	3	2	1	P7	P6	P5	P4	P3	P2	P1	E1
51894-001 Note: 3	D C B A		PC	PC	PC	PA	PA	PA	H	H	H	H	H	H	PA	PA	PC	PC	PA	PH	PH	

CODE	DIM "M" MATING LENGTH	DIM "T" TAIL LENGTH	CONTACT TYPE
E	N/A [N/A]	.135 [3.43]	SIGNAL
F	N/A [N/A]	.135 [3.43]	SIGNAL
G	N/A [N/A]	.135 [3.43]	SIGNAL
H	N/A [N/A]	.135 [3.43]	SIGNAL
PA	.042 [1.07]	.135 [3.43]	POWER
PC	.092 [2.34]	.135 [3.43]	POWER
PH	.092 [2.34]	N/A [N/A]	POWER
HA	N/A [N/A]	N/A [N/A]	HOLD-DOWN

mat'l code				SEE NOTE 2		tolerances unless otherwise specified		CUSTOMER		FCI www.fciconnect.com	
ltr	ecn no.	dr	date	linear	.XX±.01/0.X±0.3		COPY			title	
B					.XXX±.005/0.XX±0.13		projection			2ACP + 5P + 24S + 6P	
					.XXX±.0020/0.XXX±0.051		INCH/MM			R/A SOLDER RECEPT SPECIAL CABLE	
				angles	0° ± 2°		scale		product family		
				dr	B. ROHRBAUGH 08/27/02		1:1		PwrBlade		
				enrg	J. ALLISON 08/28/02				code		
				chr	J. ALLISON 08/27/02				size		
				appd	J. ALLISON 08/27/02				dwg no		
sheet index		revision sheet						A		51894-001	
										213	
										sheet 2	

Pro/E

cage code 22526

PDM: Rev:B

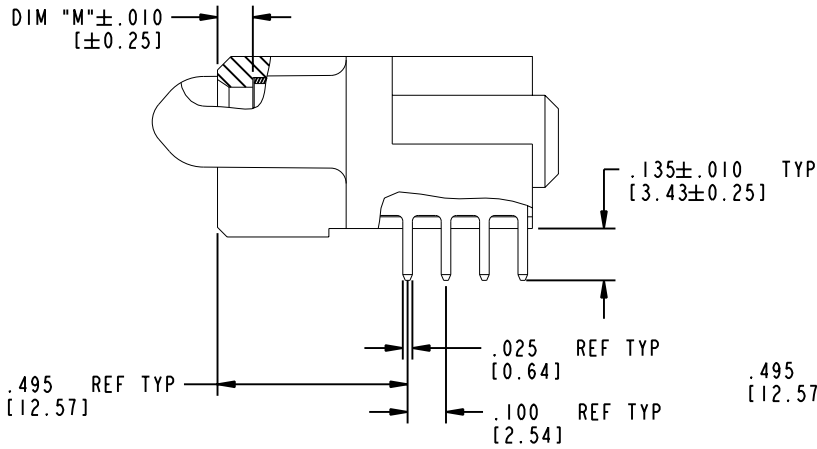
STATUS: Released

Printed: Dec 20, 2010

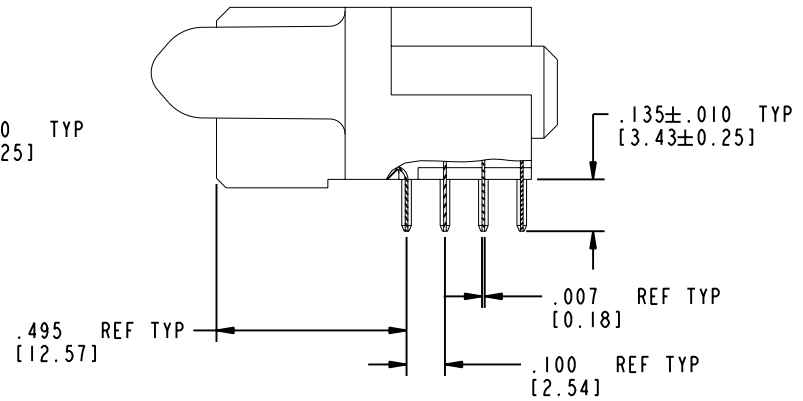
Tous droits strictement réservés. Reproduction ou communication a des tiers interdite sous quelque forme que ce soit sans autorisation écrite du propriétaire. Propriété de c FCI. Droits de reproduction FCI.

All rights strictly reserved. Reproduction or issue to third parties in any form whatever is not permitted without written authority from the proprietor. Property of FCI. Copyright FCI.

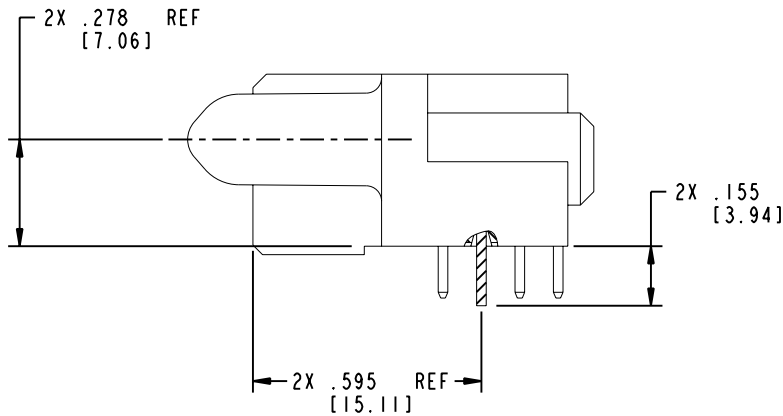
A
FCI




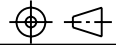

PARTIAL SECTION B-B
SCALE 2:1



PARTIAL SECTION C-C
SCALE 2:1



PARTIAL SECTION A-A
SCALE 2:1

mat'l code				SEE NOTE 2		tolerances unless otherwise specified		CUSTOMER		 FCI www.fciconnect.com	
ltr	ecn no.	dr	date	linear	.XX ± .01 / 0.X ± 0.3		COPY			title	
B					.XXX ± .005 / 0.XX ± 0.13		projection			2ACP + 5P + 24S + 6P R/A SOLDER RECEPT SPECIAL CABLE	
					.XXXX ± .0020 / 0.XXX ± 0.051					product family	
				angles	0° ± 2°		INCH/MM		PwrBlade		
				dr	B. ROHRBAUGH	08/27/02	scale		code		
				engr	J. ALLISON	08/28/02	1:1		213		
				chr	J. ALLISON	08/27/02			sheet		
				appd	J. ALLISON	08/27/02			3		
sheet index		revision sheet								cage code	
										22526	

Pro/E

cage code **22526**

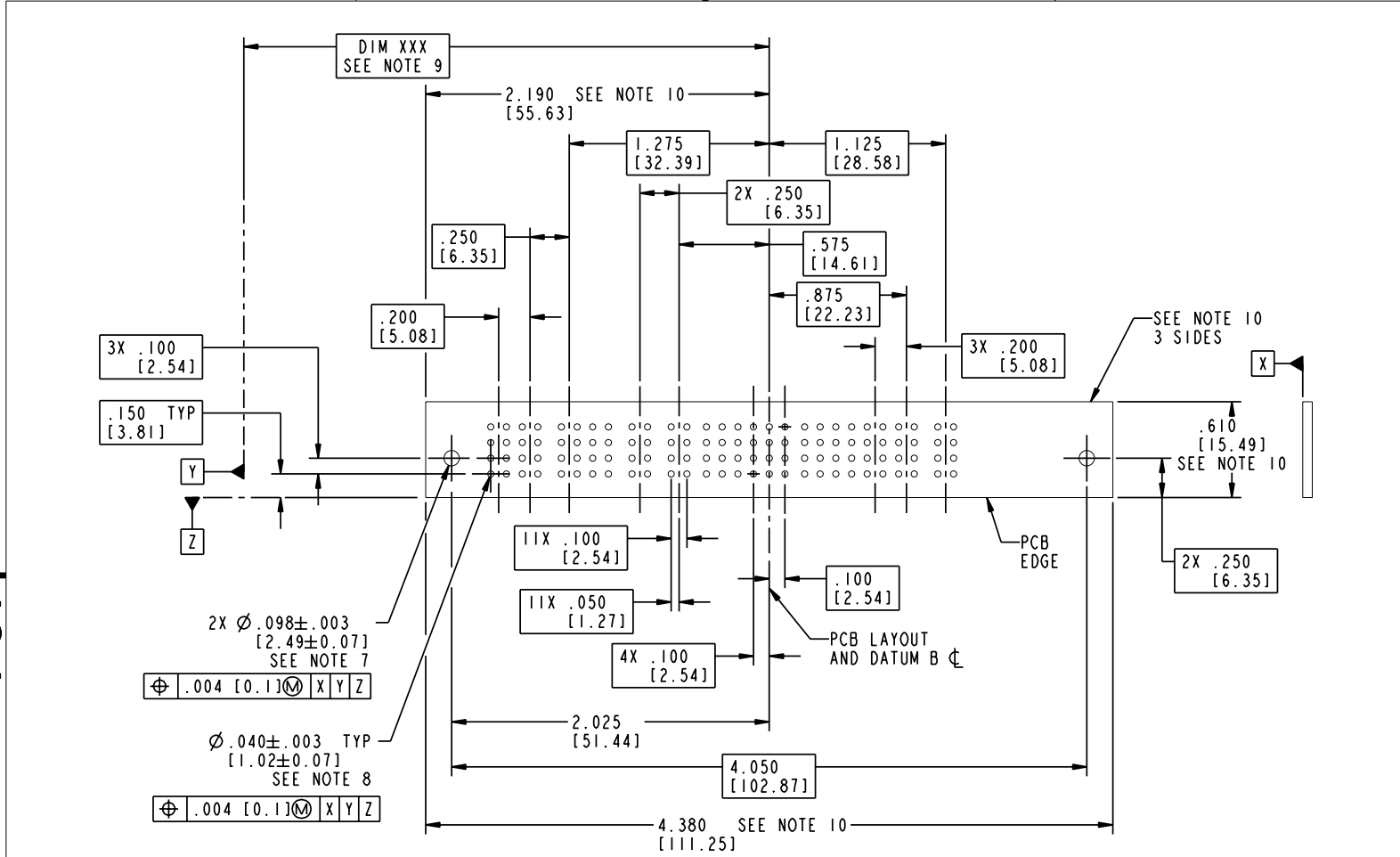
PDM: Rev:B

STATUS: Released

Printed: Dec 20, 2010

Tous droits strictement réservés. Reproduction ou communication à des tiers interdite sous quelque forme que ce soit sans autorisation écrite du propriétaire. Propriété de c FCI. Droits de reproduction FCI.

All rights strictly reserved. Reproduction or issue to third parties in any form whatever is not permitted without written authority from the proprietor. Property of FCI. Copyright FCI.



mat'l code		SEE NOTE 2		tolerances unless otherwise specified		CUSTOMER		 www.fciconnect.com	
ltr	ecn no.	dr	date	linear	.XX±.01/0.X±0.3		COPY		title 2ACP + 5P + 24S + 6P R/A SOLDER RECEPT SPECIAL CABLE
B				projection	.XXX±.005/0.XX±0.13				
				angles	.XXXX±.0020/0.XXX±0.051				product family PwrBlade
				dr	0±2°		size 1:1		
				enrg	B. ROHRBAUGH 08/27/02		scale 1:1		sheet 4
				chr	J. ALLISON 08/28/02		title 51894-001		
				appd	J. ALLISON 08/27/02		size 51894-001		
sheet index	revision sheet								

Pro/E

cage code 22526

PDM: Rev:B

STATUS: Released

Printed: Dec 20, 2010