

TABLE 1	
DASH NO	DESCRIPTION
-1	TERM (NO CHAIN)
-2	TERM WITH 2.5 BRASS CHAIN
-3	TERM WITH 2.5 NYLON CHAIN
-4	TERM WITH 3.0 BRASS CHAIN
-5	TERM WITH 3.0 NYLON CHAIN
-6	TERM WITH 4.0 BRASS CHAIN
-7	TERM WITH 4.0 NYLON CHAIN
-8	TERM WITH 6.0 BRASS CHAIN
-9	TERM WITH 6.0 NYLON CHAIN
-10	TERM WITH 10.0 BRASS CHAIN
-11	TERM WITH 10.0 NYLON CHAIN

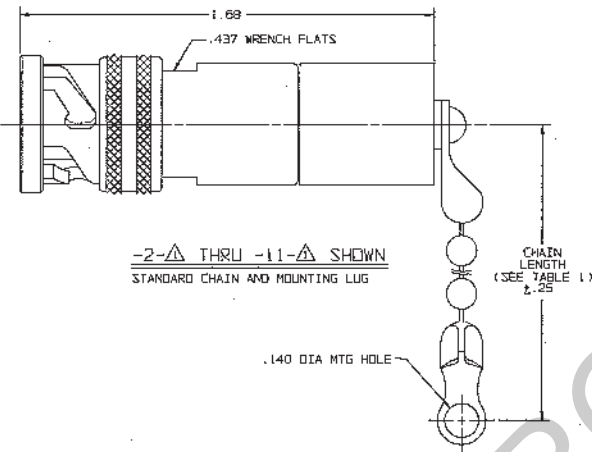
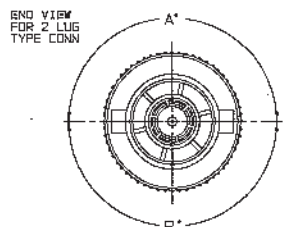
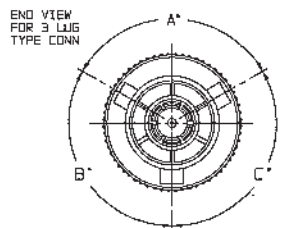
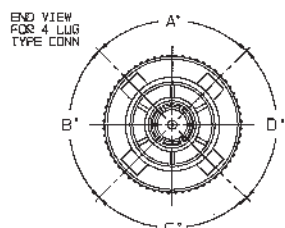
TABLE 2		POLARIZATION			
MODEL NO	TYPE CONN	A	B	C	D
		DEGREE	DEGREE	DEGREE	DEGREE
TNG1	3 LUG	120*	120*	120*	---
TNGFL1	4 LUG	90*	90*	90*	90*
TNGTL1	2 LUG	180*	180*	---	---
TNGIT	3 LUG	100*	150*	110*	---
TNGIU		120*	130*	110*	---
TNGIV		115*	130*	115*	---
TNGIW		125*	110*	125*	---
TNGIX		130*	100*	130*	---
TNGIY	110*	140*	110*	---	
TNGIZ	100*	160*	100*	---	
TNGIS	135*	135*	90*	---	

TABLE 3				
DASH NO	*A" DIA	*B" DIA	*C" DIM	*D" DIM
-01	.755	.875	1.191	.512
-02	.830	.750	1.066	.450
-03	.505	.625	.841	.388
-04	.439	.562	.878	.355
-05	.380	.500	.816	.325
-06	.317	.437	.753	.295
-07	.281	.406	.722	.278
-08	.810	.750	1.066	.450
-09	.567	.687	1.003	.419
-10	.192	.312	.628	.231
-008	.330	.450	.766	.300

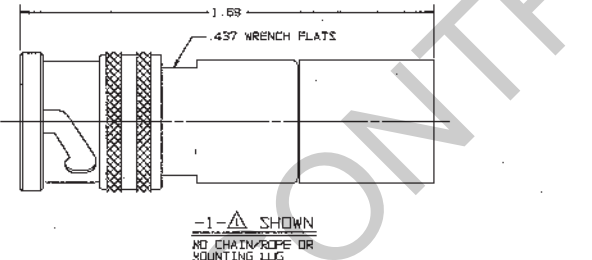
DATA CONTAINED ON THIS DOCUMENT IS PROPRIETARY TO TROMPETER ELECTRONICS, INC. AND SHALL NOT BE DISCLOSED, COPIED OR REPRODUCED IN ANY MANNER WITHOUT THE WRITTEN PERMISSION OF TROMPETER ELECTRONICS, INC.

REVISIONS		310-0033	SH 1C
REV	DESCRIPTION	DATE	APPROVED
AG	REVISED PER ECO 16890	2/1/09	<i>MAG</i>

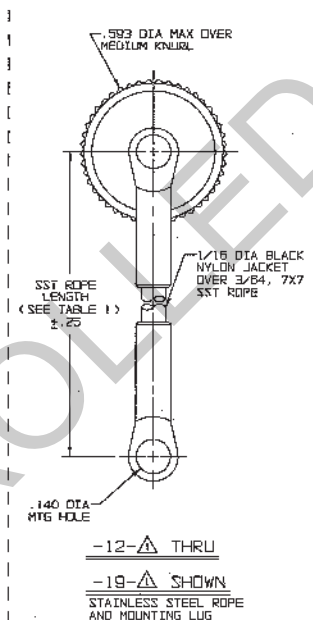
RED INDICATES ORIGINAL



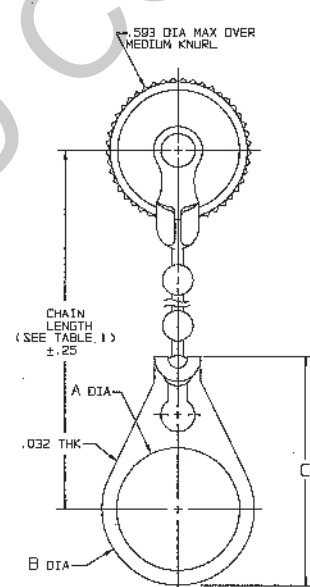
-2- thru -11- SHOWN
STANDARD CHAIN AND MOUNTING LUG



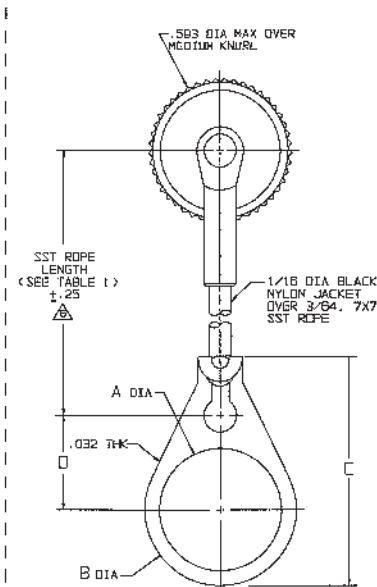
-1- SHOWN
NO CHAIN/ROPE OR MOUNTING LUG



-12- thru
-19- SHOWN
STAINLESS STEEL ROPE AND MOUNTING LUG

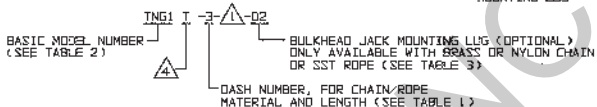


-2- thru -01 thru
-11- thru -008 SHOWN
STANDARD CHAIN AND BULKHEAD JACK MOUNTING LUG



-12- thru -01 thru
-19- thru -008 SHOWN
STAINLESS STEEL ROPE AND BULKHEAD JACK MOUNTING LUG

3. EXAMPLE OF COMPLETE MODEL NUMBER:

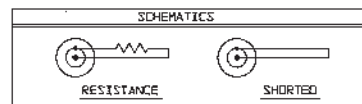


NOTE THAT LENGTH FOR SST ROPE WITH MOUNTING LUG OPTION IS NOT MEASURED TO CENTER OF BULKHEAD MOUNTING LUG

POLARIZATION LETTER, NONE REQUIRED FOR STANDARD POLARIZATION LETTER CODE (SEE TABLE 2)

2. 2, 3 AND 4 LUG CONCENTRIC TWINAX/TRIAX TERMINATION PLUG WITH CHAIN, SST ROPE AND MOUNTING LUG OPTIONS

RESISTANCE VALUE IN OHMS, 1/2W, 1%. *S* = CONTACT SHORTED TO INNER SHIELD (NO RESISTOR) *O* = LOOSELY ASSEMBLED (NO RESISTOR)



UNLESS SPECIFIED ALL DIMENSIONS ARE TO FEET UNLESS OTHERWISE SPECIFIED	TITLE, UNLESS SPECIFIED: .XXX ± .04 .XXX ± .010 .XXX ANGLES
DRAWN: L.M. DATE: 3-24-09	MATERIAL:
CHECKED: M.S. DATE: 3-20-09	FINISH:
APPROVED: [Signature] DATE: 3/30/09	SIZE: CARB CODE: A 14949
FILE NO: 310-0033AG	DRAWING NO: 310-0033
NEXT ASSY:	SCALE: 4/1
	DATE: 7-15-88
	SHEET: 1C

TROMPETER
RF connectivity
a cinch connectivity solutions brand

TITLE: TNG1/TNGFL1/TNGTL1/TNGIT;U,V,W,X,Y,Z & S
REV: AG