



# M5StickC Speaker Hat (PAM8303)

SKU: U055

Hat SPK is an M5StickC compatible speaker, integrated PAM8303 amplifier (3w single channel type D power amplifier), High PSRR and differential inputs eliminate noise and rf interference, thus it has the characteristics of simple functions and high audio reproduction.

## Product Feature

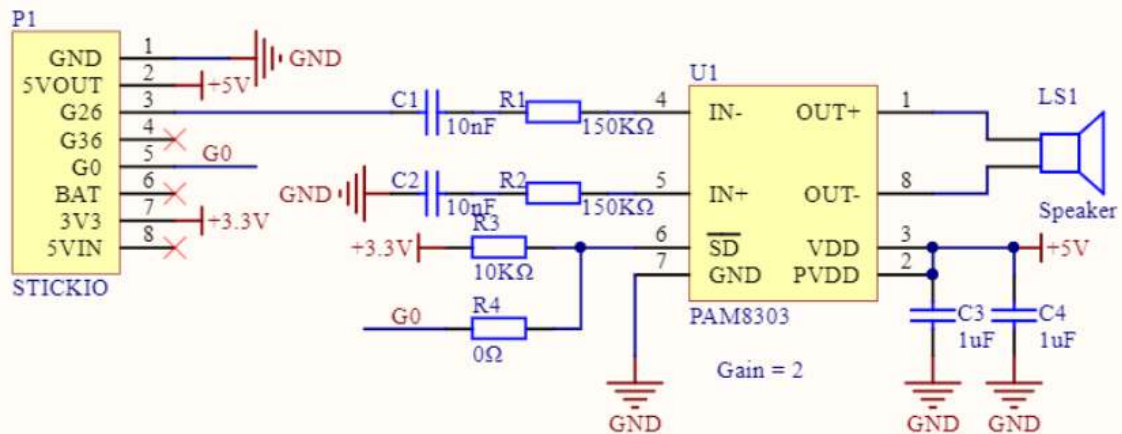
- Ultra-low EMI interference, 20dB better than FCC class B standard at 300MHz
- Voltage 5 v power supply, with 4  $\Omega$  load power output 3 w, 10% of the total harmonic distortion.
- Ultra-low noise without input
- Power range: 2.8V~5.5V
- Shortcut protection.

## Package Includes

- 1x SPK Hat

## Application

- MP4/MP3
  - **Schematic**



- Official Channle
- Official forum
- PAM8303 Datasheet

## Example

- **Arduino**



<https://m5stack.com/collections/m5-unit/products/m5stickc-speaker-hat/12-99-19>