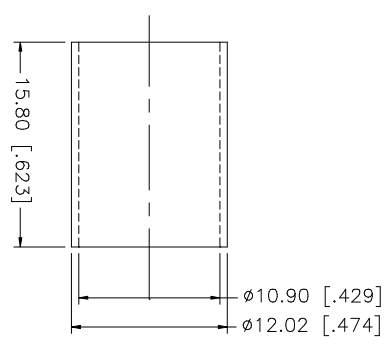
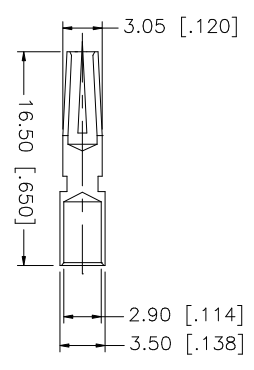
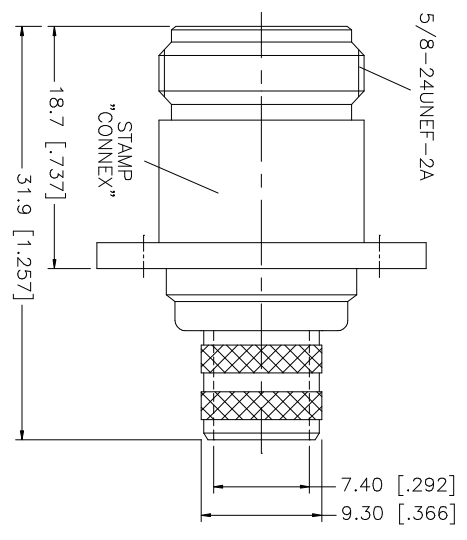
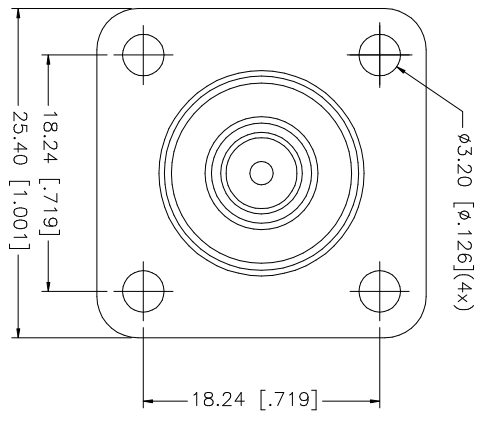
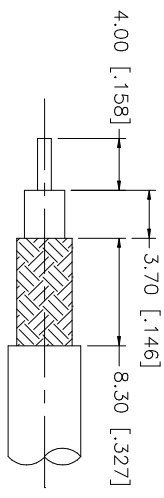


REV.	DATE	DESCRIPTION
A	03/30/04	INITIAL RELEASE



- NOTE:
1. CRIMPED FERRULE
HEX CRIMP SIZE .429"
 2. CRIMPED CONTACT PIN
HEX CRIMP SIZE .118"

Amphenol Connex

N PANEL CRIMP JACK
(FOR BELDEN 8214, 9913, 9914, LMR400 CABLE)

QTY	FINISH	MATERIAL	DESCRIPTION
1	NEXCOTE	COPPER	FERRULE
1	GOLD	PHOS. BRONZE	CONTACT PIN
1	NATURAL	TEFLON	INSULATOR
1	NEXCOTE	BRASS	BODY

UNLESS OTHERWISE SPECIFIED DIMENSIONS ARE IN INCHES AND FOR CUSTOMER REFERENCE ONLY.	UNLESS OTHERWISE SPECIFIED DIMENSIONS ARE IN MILLIMETERS AND FOR CUSTOMER REFERENCE ONLY.
UNLESS OTHERWISE SPECIFIED TOLERANCES FOR MILLIMETERS ARE: 0.5 - 8mm ± 0.20mm 8 - 30mm ± 0.40mm 30 - 120mm ± 0.50mm	UNLESS OTHERWISE SPECIFIED TOLERANCES FOR INCHES ARE: .020 - .315 = ± 0.007" .315 - 1.180 = ± 0.015" 1.180 - 4.724 = ± 0.020"

APPROVALS	DATE
DRAWN G.R.S.	03/30/04
CHECKED	
ISSUED	
SHEET 1 OF 1	

CAD FILE	DWG. NO.	REV.	SIZE	SCALE
C:/172/172314.DWG	172314.DWG	A	A	NA