

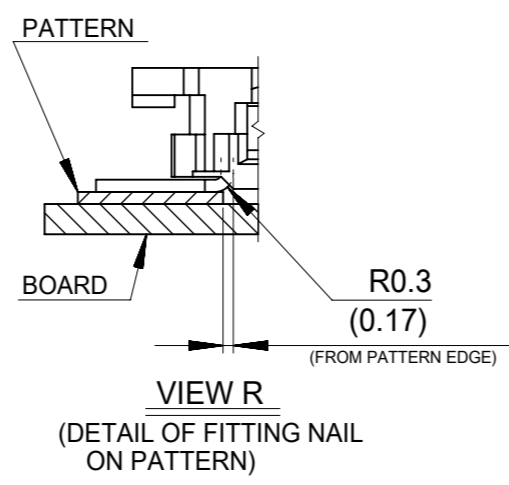
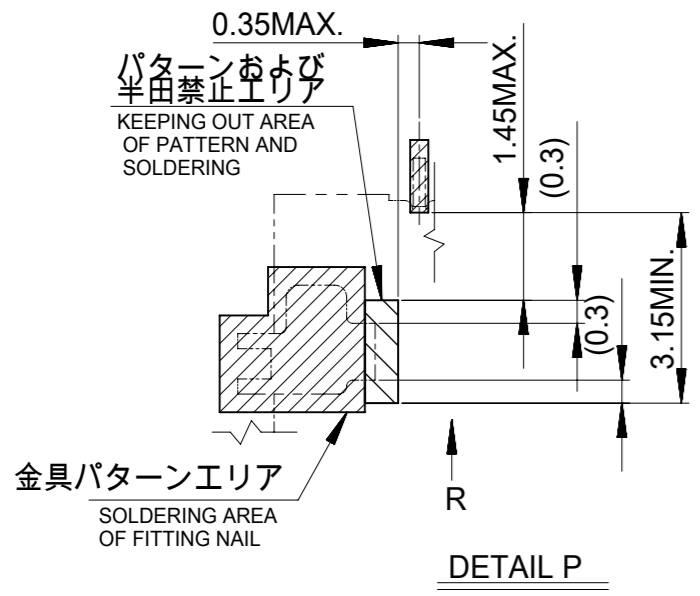
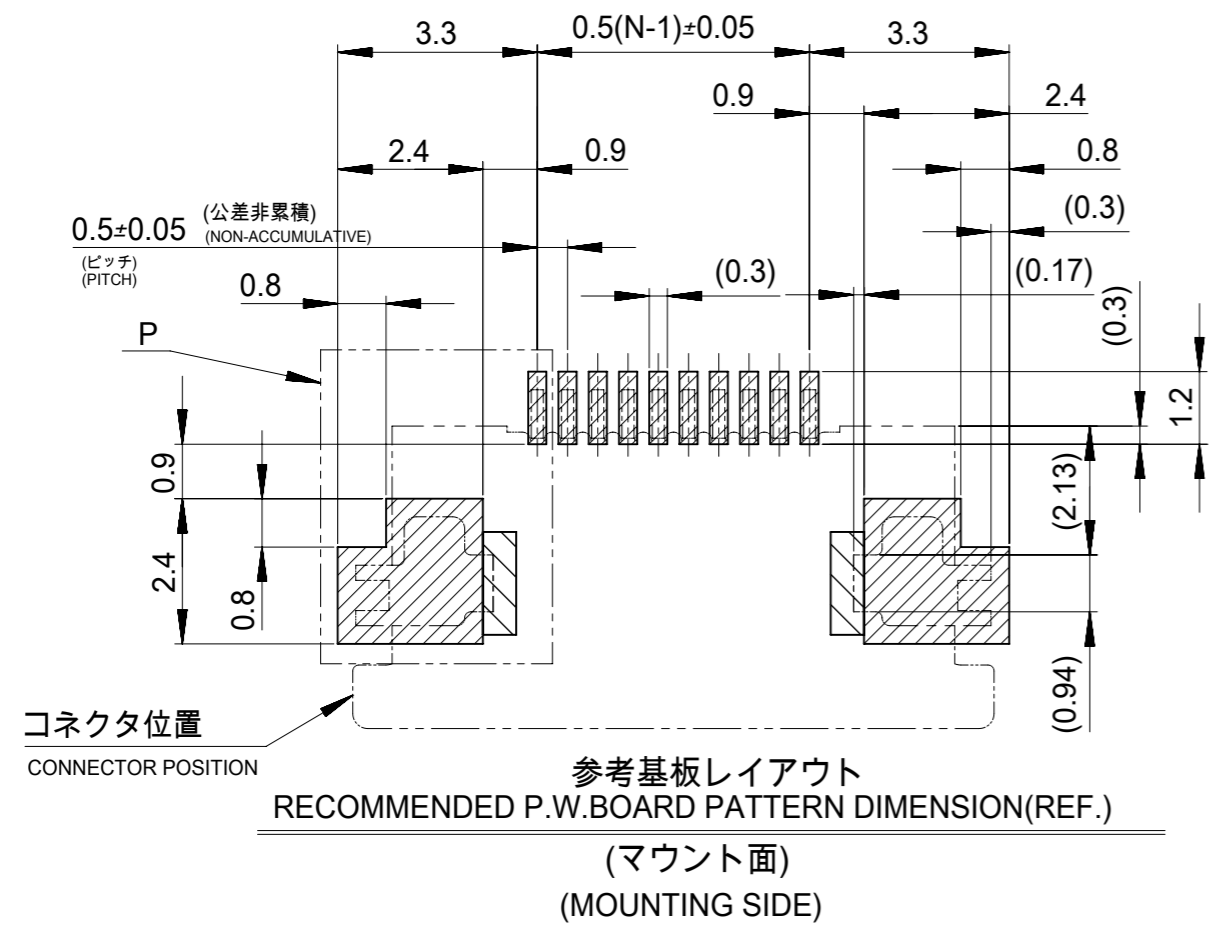
30.5	29.3	25.65	24.5	54132-5062	50
28.0	26.8	23.15	22.0	54132-4562	45
27.0	25.8	22.15	21.0	54132-4362	43
25.5	24.3	20.65	19.5	54132-4062	40
24.5	23.3	19.65	18.5	54132-3862	38
23.5	22.3	18.65	17.5	54132-3662	36
23.0	21.8	18.15	17.0	54132-3562	35
22.5	21.3	17.65	16.5	54132-3462	34
22.0	20.8	17.15	16.0	54132-3362	33
21.5	20.3	16.65	15.5	54132-3262	32
20.5	19.3	15.65	14.5	54132-3062	30
D	C	B	A	EMBOSSED TAPE	CKT.
ORDER No. オーダー番号					
CONNECTOR SERIES NO. : 54132-**68					

GENERAL TOLERANCES (UNLESS SPECIFIED)	
10 UNDER	± 0.2
10 OVER 30 UNDER	± 0.25
30 OVER	± 0.3
ANGULAR ± 3 °	
DRAFT WHERE APPLICABLE MUST REMAIN WITHIN DIMENSIONS	

THIS DRAWING CONTAINS INFORMATION THAT IS PROPRIETARY TO MOLEX ELECTRONIC TECHNOLOGIES, LLC AND SHOULD NOT BE USED WITHOUT WRITTEN PERMISSION		CURRENT REV DESC:		<b>molex</b>	
DIMENSION UNITS	SCALE	EC NO: 600082			
mm	5:1	DRWN: YCHEN128 2018/03/02		0.5 FPC CONN. ZIF SMT	
GENERAL TOLERANCES (UNLESS SPECIFIED)		CHK'D: KTAKAHASHI 2018/03/14		R/A BOTTOM CONTACT NI-BARRIER GOLD PLATING	
ANGULAR TOL ± 3.0 °		APPR: NUKITA 2018/03/14		PRODUCT CUSTOMER DRAWING	
4 PLACES ± 0.2		INITIAL REVISION:		DOCUMENT NUMBER	
3 PLACES ± 0.25		DRWN: MUMEDA 2004/10/08		SD-54132-064	
2 PLACES ± 0.3		APPR: NUKITA 2004/10/14		DOC TYPE DOC PART REVISION	
1 PLACE ±		THIRD ANGLE PROJECTION		PSD 001 G	
0 PLACES ±		DRAWING		MATERIAL NUMBER	
DRAFT WHERE APPLICABLE MUST REMAIN WITHIN DIMENSIONS		A3-SIZE		CUSTOMER	
		SERIES		GENERAL MARKET	
		54132		SHEET NUMBER	
				1 OF 3	

注記NOTES

- 1.使用材料 MATERIAL  
 ハウジング : 46ナイロン、ガラス充填、UL94V-0、白  
 HOUSING: PA46, GLASS FILLED, UL94V-0, WHITE  
 アクチュエータ : ポリフェニレンサルファイド ( PPS )、ガラス充填、UL94V-0、黒  
 ACTUATOR: POLYPHENYLENE SULFIDE, GLASS FILLED, UL94V-0, BLACK  
 ターミナル : リン青銅(t=0.2) 金メッキ コントラクト部 0.1 MICROMETER MINIMUM  
 テール部 0.05 MICROMETER MINIMUM  
 ニッケル下地 1.0 MICROMETER MINIMUM  
 TERMINAL PHOS-BRONZE GOLD-PLATING  
 CONTACT PORTION : 0.1 MICROMETER MINIMUM  
 TAIL PORTION : 0.05 MICROMETER MINIMUM  
 NICKEL PLATING : 1.0 MICROMETER MINIMUM  
 金具 : リン青銅(t=0.2) 錫メッキ 1.0~3.0 MICROMETER MINIMUM  
 ニッケル下地 1.0~3.0 MICROMETER MINIMUM  
 FITTING NAIL : PHOS-BRONZE TIN-PLATING 1.0~3.0 MICROMETER MINIMUM  
 OVER NICKEL 1.0~3.0 MICROMETER MINIMUM
- 2.エンボステープ梱包時はアクチュエータがロックした状態とする。  
 IN THE PACKAGE, ACTUATOR OF PART NO.54132-\*\*68 SHOULD BE LOCKED.
- 3.△ ソルダータール半田付け面のズレ量、および金具半田付け面のズレ量は基準面 H に対し上方向 0.1MAXIMUM、下方向 0.15MAXIMUMとする。  
 MISALIGNMENT OF SOLDER TAILS AND FITTING NAILS FROM DATUM-H  
 UPPER DIRECTION : 0.1MAXIMUM, LOWER DIRECTION : 0.15 MAXIMUM.
- 4.△ 偶数極に適用。  
 APPLY FOR EVEN CIRCUIT.
- 5.△ パターンはく離止め金具。  
 FITTING NAIL FOR PREVENTION OF PEELING OF P.W.BOARD PATTERN.
- 6.本製品は54132-\*\*61に対するニッケルバリア品になります。  
 THIS PRODUCT IS NICKEL-BARRIER OF 54132-\*\*61.
- 7.ELV & RoHS適合品。  
 ELV AND RoHS COMPLIANT.

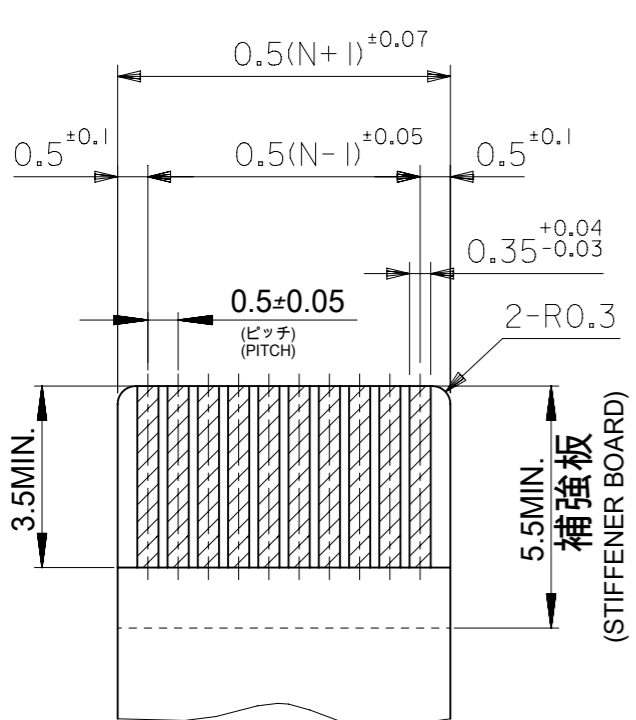


GENERAL TOLERANCES (UNLESS SPECIFIED)	
10 UNDER	± 0.2
10 OVER 30 UNDER	± 0.25
30 OVER	± 0.3
ANGULAR ± 3 °	
DRAFT WHERE APPLICABLE MUST REMAIN WITHIN DIMENSIONS	

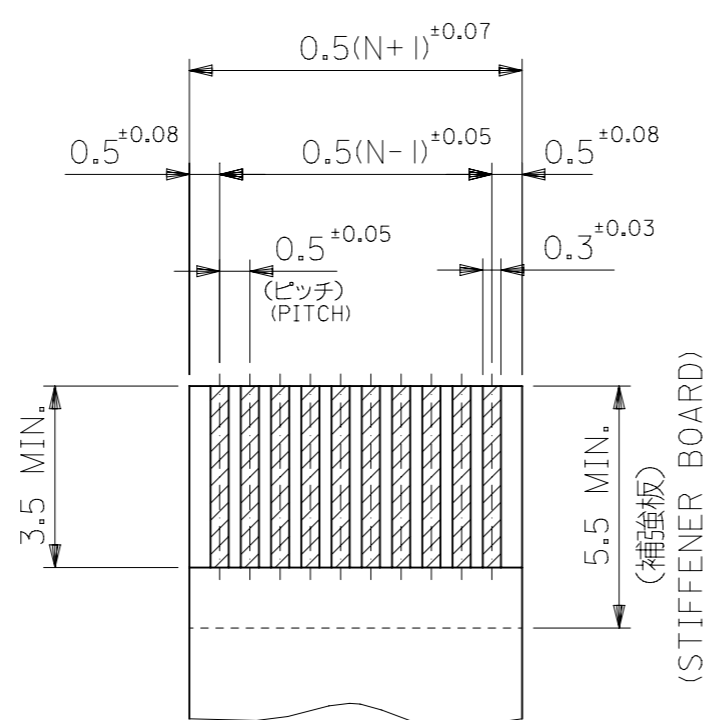
THIS DRAWING CONTAINS INFORMATION THAT IS PROPRIETARY TO MOLEX ELECTRONIC TECHNOLOGIES, LLC AND SHOULD NOT BE USED WITHOUT WRITTEN PERMISSION	
DIMENSION UNITS: mm	SCALE: 8:1
CURRENT REV DESC:	
GENERAL TOLERANCES (UNLESS SPECIFIED)	
ANGULAR TOL ± 3.0 °	
4 PLACES ± 0.2	
3 PLACES ± 0.25	
2 PLACES ± 0.3	
1 PLACE ±	
0 PLACES ±	
DRAFT WHERE APPLICABLE MUST REMAIN WITHIN DIMENSIONS	
THIRD ANGLE PROJECTION	DRAWING: A3-SIZE
SERIES: 54132	SHEET NUMBER: 2 OF 3

EC NO: 600082		2018/03/02	
DRWN: YCHEN128		2018/03/14	
CHK'D: KTAKAHASHI		2018/03/14	
APPR: NUKITA		2018/03/14	
INITIAL REVISION:			
DRWN: MUMEDA		2004/10/08	
APPR: NUKITA		2004/10/14	

<b>molex</b>			
0.5 FPC CONN. ZIF SMT R/A BOTTOM CONTACT NI-BARRIER GOLD PLATING			
PRODUCT CUSTOMER DRAWING			
DOCUMENT NUMBER	DOC TYPE	DOC PART	REVISION
SD-54132-064	PSD	001	G
MATERIAL NUMBER	CUSTOMER		SHEET NUMBER
SEE TABLE	GENERAL MARKET		2 OF 3

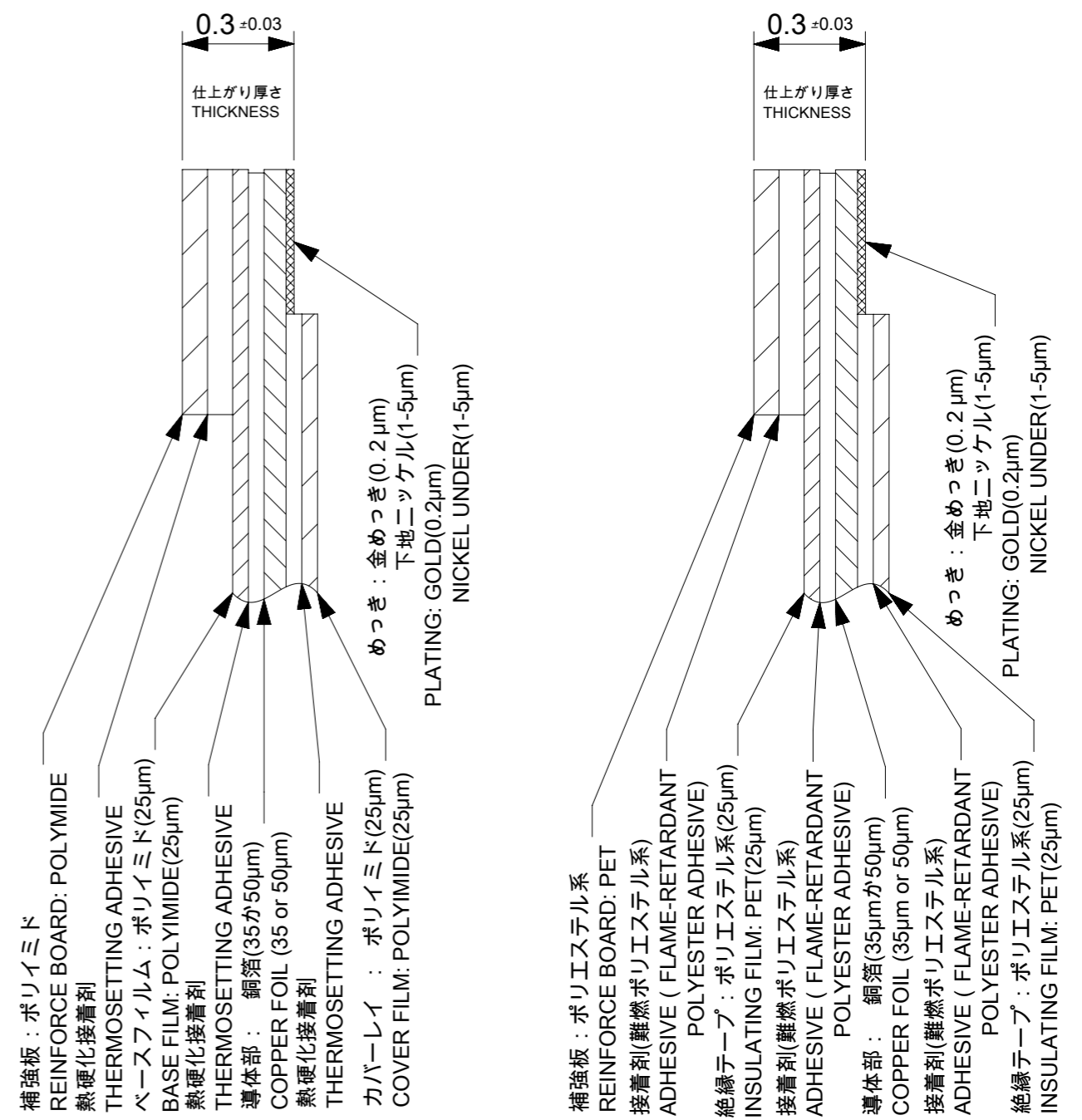


適合金めっきFPC推奨寸法  
 APPLICABLE FPC OF GOLD PLATING  
 RECOMMENDED DIMENSION  
 (仕上がり厚さ : 0.3±0.03 )  
 (THICKNESS : 0.3±0.03 )



適合金めっきFFC推奨寸法  
 APPLICABLE FFC OF GOLD PLATING  
 RECOMMENDED DIMENSION  
 (仕上がり厚さ : 0.3±0.03 )  
 (THICKNESS : 0.3±0.03 )

FPC/FFCについて:  
 打ち抜き方向は導体側から補強板側を推奨いたします。  
 RECOMMENDED PUNCHER DIRECTION  
 FROM CONDUCTOR SIDE TO STIFFENER BOARD SIDE.



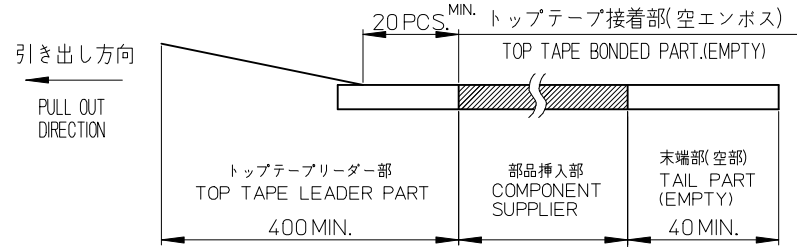
FPC構成推奨仕様  
 STRUCTURE OF FPC

FFC構成推奨仕様  
 STRUCTURE OF FFC

<b>GENERAL TOLERANCES (UNLESS SPECIFIED)</b> 10 UNDER ± 0.2 10 OVER 30 UNDER ± 0.25 30 OVER ± 0.3 ANGULAR ± 3 ° DRAFT WHERE APPLICABLE MUST REMAIN WITHIN DIMENSIONS		DIMENSION UNITS: mm SCALE: 8:1 ANGULAR TOL ± 30 ° 4 PLACES ± 0.2 3 PLACES ± 0.25 2 PLACES ± 0.3 1 PLACE ± 0 PLACES ± DRAFT WHERE APPLICABLE MUST REMAIN WITHIN DIMENSIONS	CURRENT REV DESC: EC NO: 600082 DRWN: YCHEN128 2018/03/02 CHK'D: KTAKAHASHI 2018/03/14 APPR: NUKITA 2018/03/14 INITIAL REVISION: DRWN: MUMEDA 2004/10/08 APPR: NUKITA 2004/10/14 THIRD ANGLE PROJECTION DRAWING: A3-SIZE SERIES: 54132	<b>molex</b> 0.5 FPC CONN. ZIF SMT R/A BOTTOM CONTACT NI-BARRIER GOLD PLATING PRODUCT CUSTOMER DRAWING DOCUMENT NUMBER: SD-54132-064 DOC TYPE: PSD DOC PART: 001 REVISION: G MATERIAL NUMBER: SEE TABLE CUSTOMER: GENERAL MARKET SHEET NUMBER: 3 OF 3
--	--	--	--	---

NOTE

- 1. 梱包数量 : 1500個/リール  
NUMBER OF CONNECTORS : 1500PCS/REEL
- 2. リードテープ長さ  
LEAD TAPE LENGTH

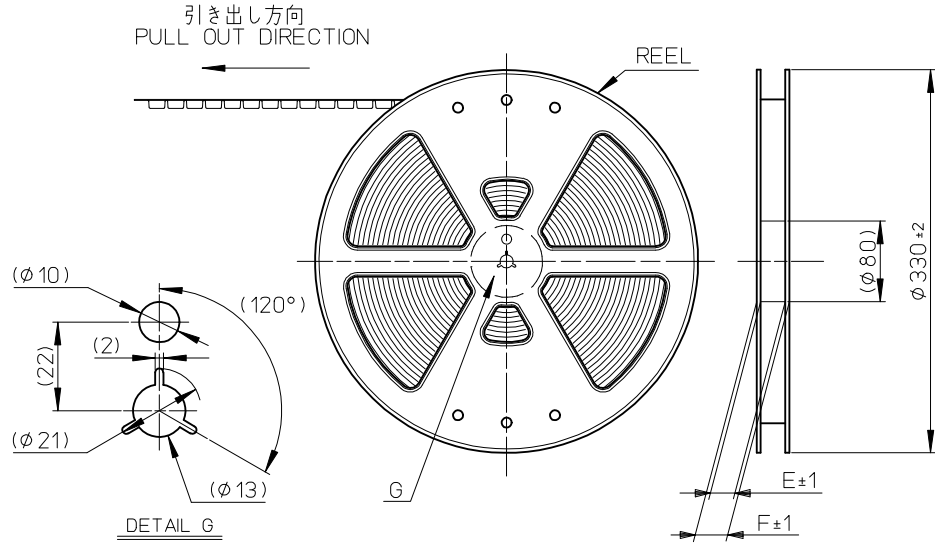


- 3. カバーテープの はく離強度については、IEC60286-3に準拠  
COVER TAPE PEEL FORCE IS DEFINED BY IEC 60286-3.

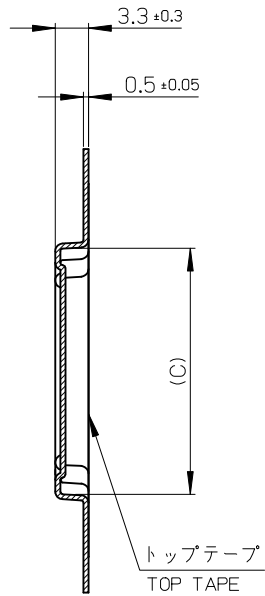
- 4. 材料 キャリアテープ : ポリプロピレン(PP)  
トップテープ : PET,PE,PEF  
リール : ポリスチレン(PS) <リサイクル材を含む>

MATERIAL CARRIER TAPE : POLYPROPYLENE  
TOP TAPE : PET,PE,PEF  
REEL : POLYSTYRENE<RECYCLE MATERIAL CONTAINED>

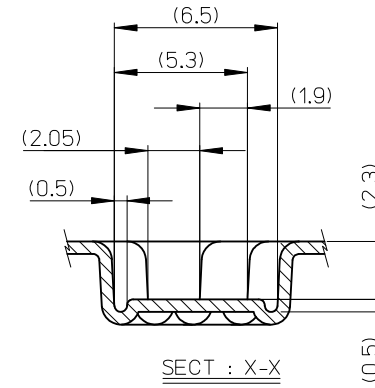
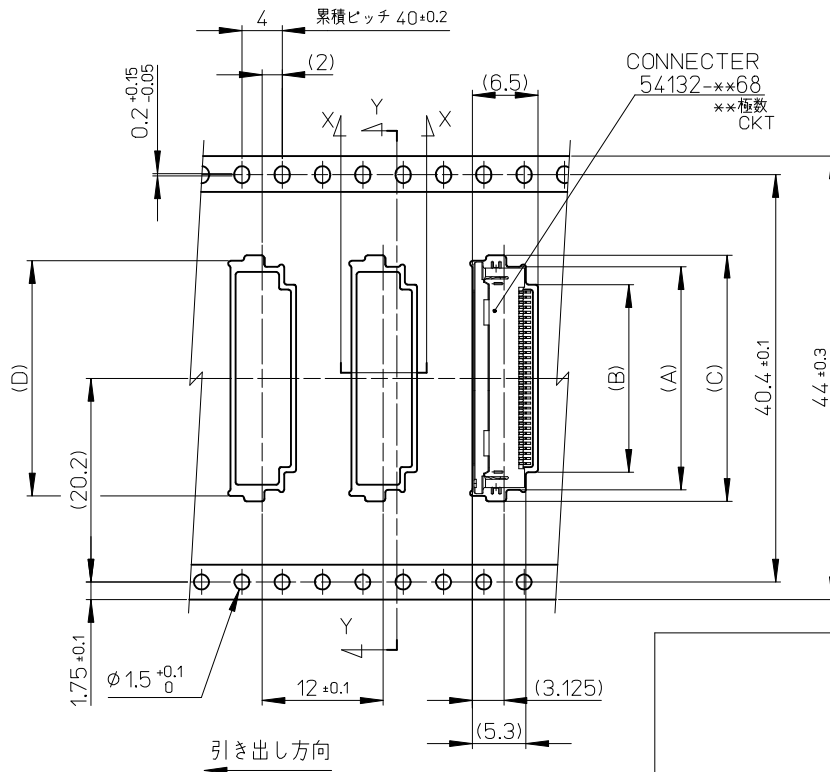
- 5. ELV & RoHS適合品  
ELV AND RoHS COMPLIANT



RELEASED EC NO: J2011-0041 DRWN:HYOSHINO 2010/07/13 CHKD:HIIJIMA 2010/07/13 APPR:KMORIKAWA 2010/07/16	GENERAL TOLERANCES (UNLESS SPECIFIED)		DIMENSION STYLE MM ONLY		SCALE ---	DESIGN UNITS METRIC	THIRD ANGLE PROJECTION	
	10 UNDER	±---	DRAWN BY HYOSHINO	DATE 2010/07/13	TITLE 0.5 FPC CONN. ZIF SMT R/A BOTTOM CONTACT TAPING PACKAGE			
	10 OVER 30 UNDER	±---	CHECKED BY HIIJIMA	DATE 2010/07/13	MOLEX INCORPORATED			
	30 OVER	±---	APPROVED BY KMORIKAWA	DATE 2010/07/16	DOCUMENT NO. SD-54132-065		SHEET NO. 1 OF 2	
	ANGULAR ±--- °		MATERIAL NO. SEE SHEET		THIS DRAWING CONTAINS INFORMATION THAT IS PROPRIETARY TO MOLEX INCORPORATED AND SHOULD NOT BE USED WITHOUT WRITTEN PERMISSION			
DRAFT WHERE APPLICABLE MUST REMAIN WITHIN DIMENSIONS								



SECT : Y-Y



SECT : X-X  
(SCALE 5:1)

44	49.4	45.4	30.8	31.9	26.1	29.6	54132-5062	50		
			28.3	29.4	23.6	27.1	54132-4562	45		
			27.3	28.4	22.6	26.1	54132-4362	43		
			25.8	26.9	21.1	24.6	54132-4062	40		
			24.8	25.9	20.1	23.6	54132-3862	38		
			23.8	24.9	19.1	22.6	54132-3662	36		
			23.3	24.4	18.6	22.1	54132-3562	35		
			22.8	23.9	18.1	21.6	54132-3462	34		
			22.3	23.4	17.6	21.1	54132-3362	33		
			21.8	22.9	17.1	20.6	54132-3262	32		
20.8	21.9	16.1	19.6	54132-3062	30					
キャリアテープ幅 CARRIAR TAPE WIDTH			F	E	D	C	B	A	MATERIAL NO. (EMBOSS PKG)	CKT.

引き出し方向

RELEASED EC NO: J2011-0041 DRWN:HYOSHINO 2010/07/13 CHKD:H IJIMA 2010/07/13 APPR:KMORIKAWA 2010/07/16	GENERAL TOLERANCES (UNLESS SPECIFIED)		DIMENSION STYLE MM ONLY		SCALE ---	DESIGN UNITS METRIC	THIRD ANGLE PROJECTION	
	10 UNDER	± ---	DRAWN BY HYOSHINO	DATE 2010/07/13	TITLE 0.5 FPC CONN. ZIF SMT R/A BOTTOM CONTACT TAPING PACKAGE			
	10 OVER 30 UNDER	± ---	CHECKED BY HIJIMA	DATE 2010/07/13	MOLEX INCORPORATED			
	30 OVER	± ---	APPROVED BY KMORIKAWA	DATE 2010/07/16	DOCUMENT NO. SD-54132-065		SHEET NO. 2 OF 2	
	ANGULAR ± --- °		MATERIAL NO. SEE SHEET		THIS DRAWING CONTAINS INFORMATION THAT IS PROPRIETARY TO MOLEX INCORPORATED AND SHOULD NOT BE USED WITHOUT WRITTEN PERMISSION			
DRAFT WHERE APPLICABLE MUST REMAIN WITHIN DIMENSIONS								