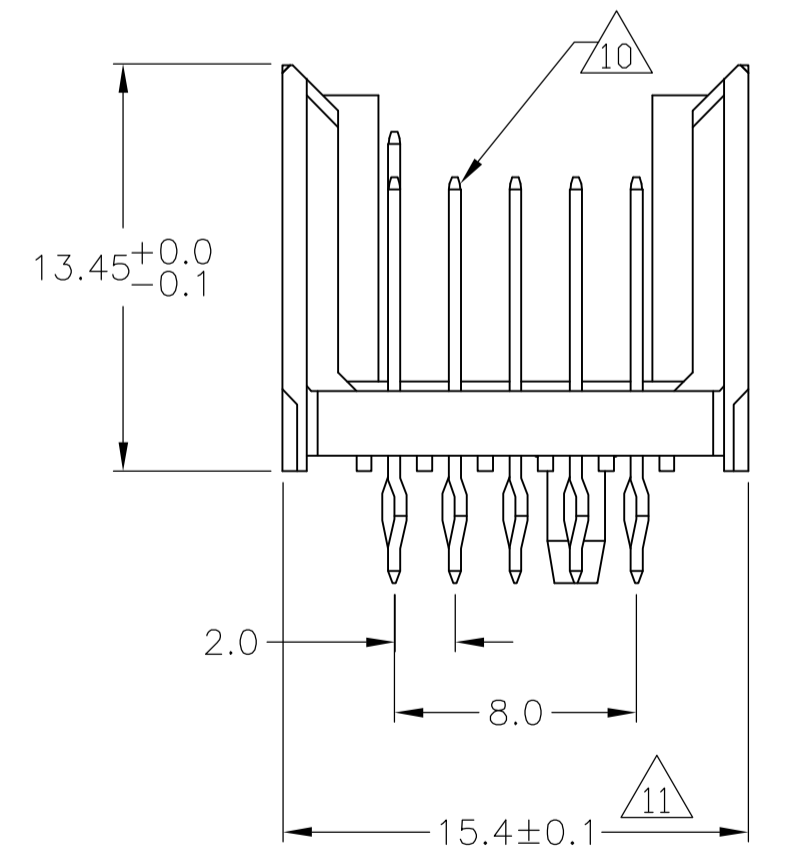
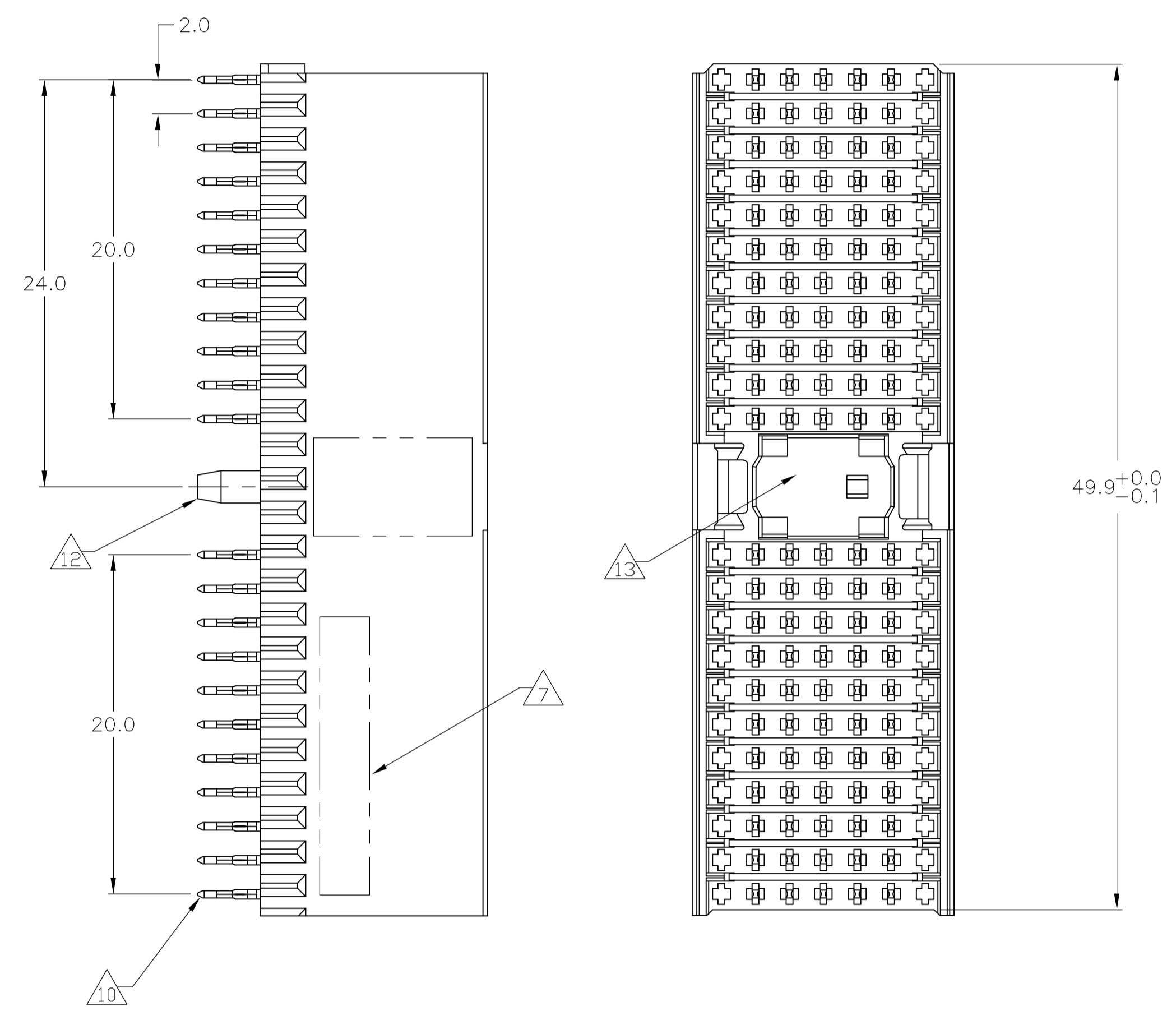
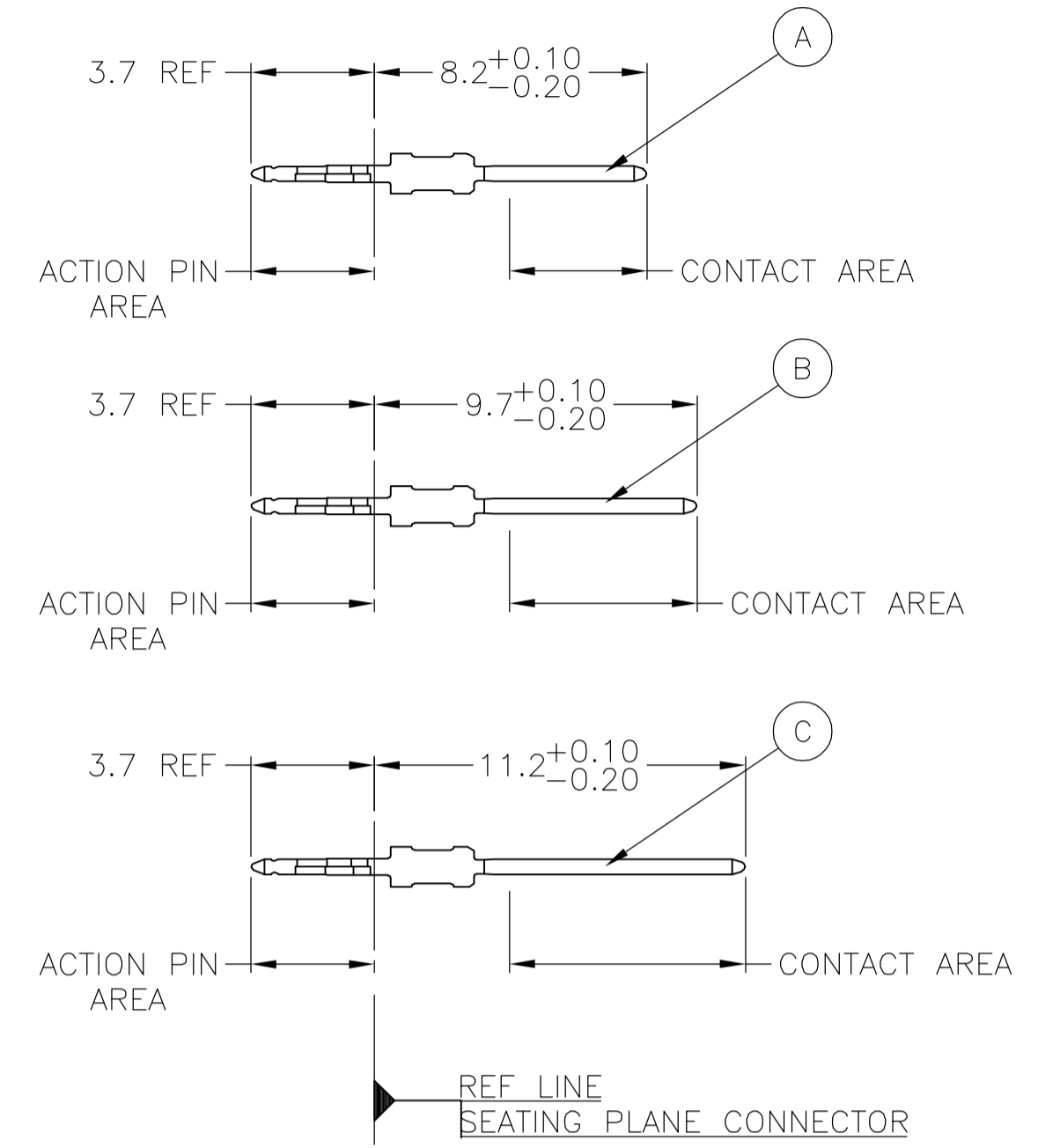


CONNECTOR ASSEMBLY EXAMPLARY LOADED



CONTACT DIMENSIONS SCALE 5:1

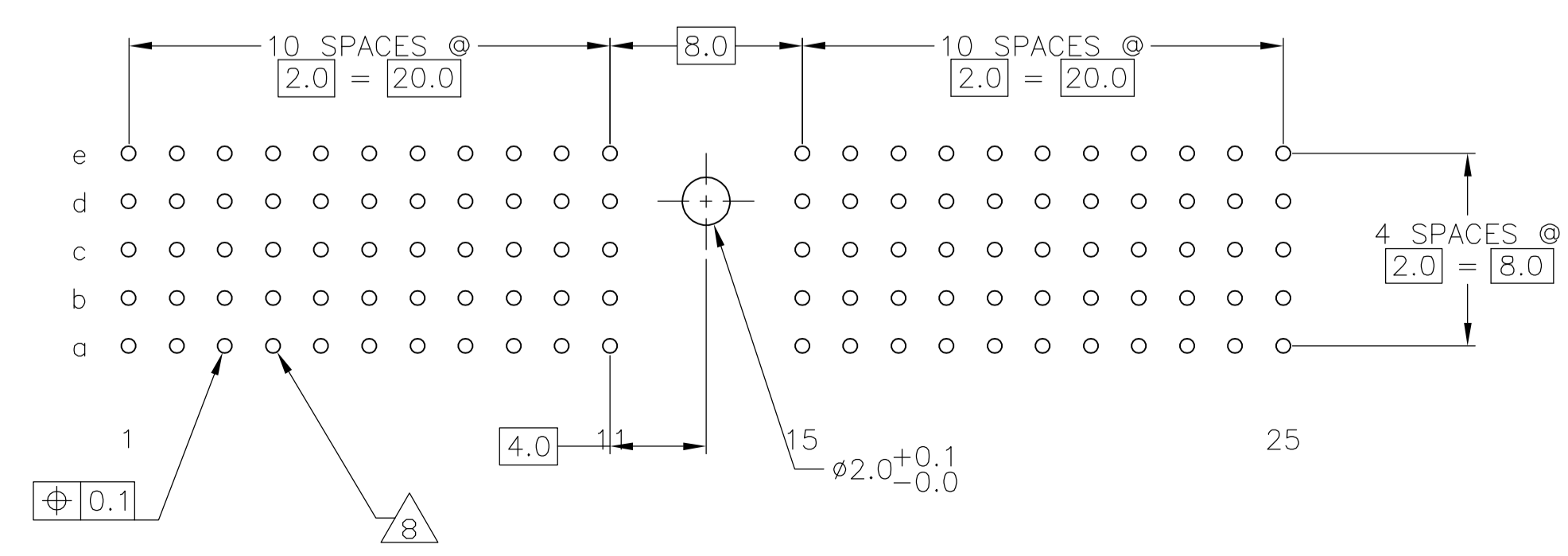


CONTACT LAYOUT

	z	a	b	c	d	e	f
1		C	B	B	B	B	
2		B	B	B	B	B	
3		B	B	B	B	B	
4		C	B	B	B	B	
5		B	B	B	B	B	
6		B	B	B	B	B	
7		B	B	B	B	B	
8		C	B	B	B	B	
9		B	B	B	B	B	
10		B	B	B	B	B	
11		B	B	B	B	B	
MULTI PURPOSE CENTER							
15		B	B	B	B	B	
16		B	B	B	B	A	
17		B	B	B	A	B	
18		B	B	B	B	B	
19		B	B	B	B	B	
20		C	B	B	B	B	
21		C	B	B	B	B	
22		B	B	B	B	B	
23		B	B	B	B	B	
24		C	B	B	B	B	
25		B	B	B	B	B	

RECOMMENDED PCB-HOLE LAYOUT COMPONENT SIDE SHOWN

PLATED THRU HOLES PARAMETERS REFERENCE APPLICATION SPECIFICATION



2 6 14	1-5352721-9
2 5 14	5352721-9
2 4 4	5352721-4
2 3 3	5352721-1
FINISH	PART NUMBER

THIS DRAWING IS A CONTROLLED DOCUMENT.

DIMENSIONS: mm	TOLERANCES UNLESS OTHERWISE SPECIFIED:	DIN B CARBO 01SEP05	APVD G SKIPPER 01SEP05	NAME G SKIPPER	PRODUCT SPEC 108-19082	APPLICATION SPEC 114-19029	SIZE A1	CAGE CODE 00779	DRAWING NO 5352721	RESTRICTED TO
0 PLC ± -	1 PLC ± 0.1	2 PLC ± -	3 PLC ± -	4 PLC ± -	ANGLES ± -	WEIGHT -	SCALE 4:1	SHEET 1 OF 2	REV 0	

tyco Electronics Tyco Electronics Corporation Harrisburg, Pa 17105-3608

MALE ASSEMBLY, Z-PACK 2mm HM, TYPE A

CUSTOMER DRAWING

- 1 MATERIAL:
CONTACT: PHOSPHOR BRONZE.
HOUSING: GLASS-FILLED POLYESTER.
- 2 GENERAL PLATING SPECIFICATION: UNDERPLATING
(ENTIRE CONTACT): 1.27µm MIN NICKEL AND ACTION
PIN: 0.5µm MIN TIN.
FOR PLATING OF MATING SURFACES SEE APPLICABLE
SPECIFICATION REFERENCE FOR EACH DASH NUMBER.
- 3 CONFORMS TO ALL TESTING ACCORDING TO IEC 61076-4-101
PERFORMANCE LEVEL 2.
- 4 CONFORMS TO ALL TESTING ACCORDING TO IEC 61076-4-101
PERFORMANCE LEVEL 1.
- 5 CONNECTOR TESTED AND QUALIFIED AGAINST TELCORDIA GR-1217-CORE QUALITY LEVEL 3,
CENTRAL OFFICE APPLICATIONS.
- 6 CONNECTOR TESTED AND QUALIFIED AGAINST TELCORDIA GR-1217-CORE QUALITY LEVEL 3,
UNCONTROLLED ENVIROMENT APPLICATIONS.
- 7 CONNECTOR MARKED WITH PART NUMBER AND DATE CODE.
ADDITIONAL CHARACTERS OR MARKINGS, AS WELL AS THE LOCATION OF THE MARKINGS,
MAY BE ADDED FOR TRACEABILITY BASED UPON MANUFACTURERS DISCRETION.
- 8 PLATED-THROUGH HOLES AT 2x2mm SQUARE GRID
PATTERN DEFINED BY CONTACT LAYOUT.
- 9 FOR ACTUAL PIN LOADING SEE "CONTACT LAYOUT".
- 10 FOR ACTUAL PIN DIMENSIONS SEE "CONTACT DIMENSIONS".
- 11 TO BE MEASURED AT BOTTOM OF SHROUD.
- 12 POLARIZATION FEATURE.
- 13 AREA RESERVED FOR KEYING PART (BASIC P/N 100525).
- 14 CONNECTOR LUBRICATED WITH BELCORE APPROVED LUBRICANT,
TECHNICAL REFERENCE: TR-NWT-001217 ISSUE 1, SEP 1992.

THIS DRAWING IS A CONTROLLED DOCUMENT.		DWG B CARBO	D1SEP05	tyco Electronics	Tyco Electronics Corporation Harrisburg, Pa 17105-3608	
DIMENSIONS: mm		CHK G SKIPPER	D1SEP05		NAME MALE ASSEMBLY, Z-PACK 2mm HM, TYPE A	
TOLERANCES UNLESS OTHERWISE SPECIFIED:		APP'D G SKIPPER	D1SEP05	PRODUCT SPEC 108-19082		
0 PLC ± -		APPLICATION SPEC 114-19029		SIZE	CAGE CODE	DRAWING NO
1 PLC ± 0.1		RESTRICTED TO		A1	00779	5352721
2 PLC ± -		MATERIAL SEE SHEET 1		WEIGHT	—	
3 PLC ± -		FINISH SEE SHEET 1		CUSTOMER DRAWING		
4 PLC ± -		SCALE		4:1	SHEET	2 OF 2
ANGLES ± ± -		REV		0		