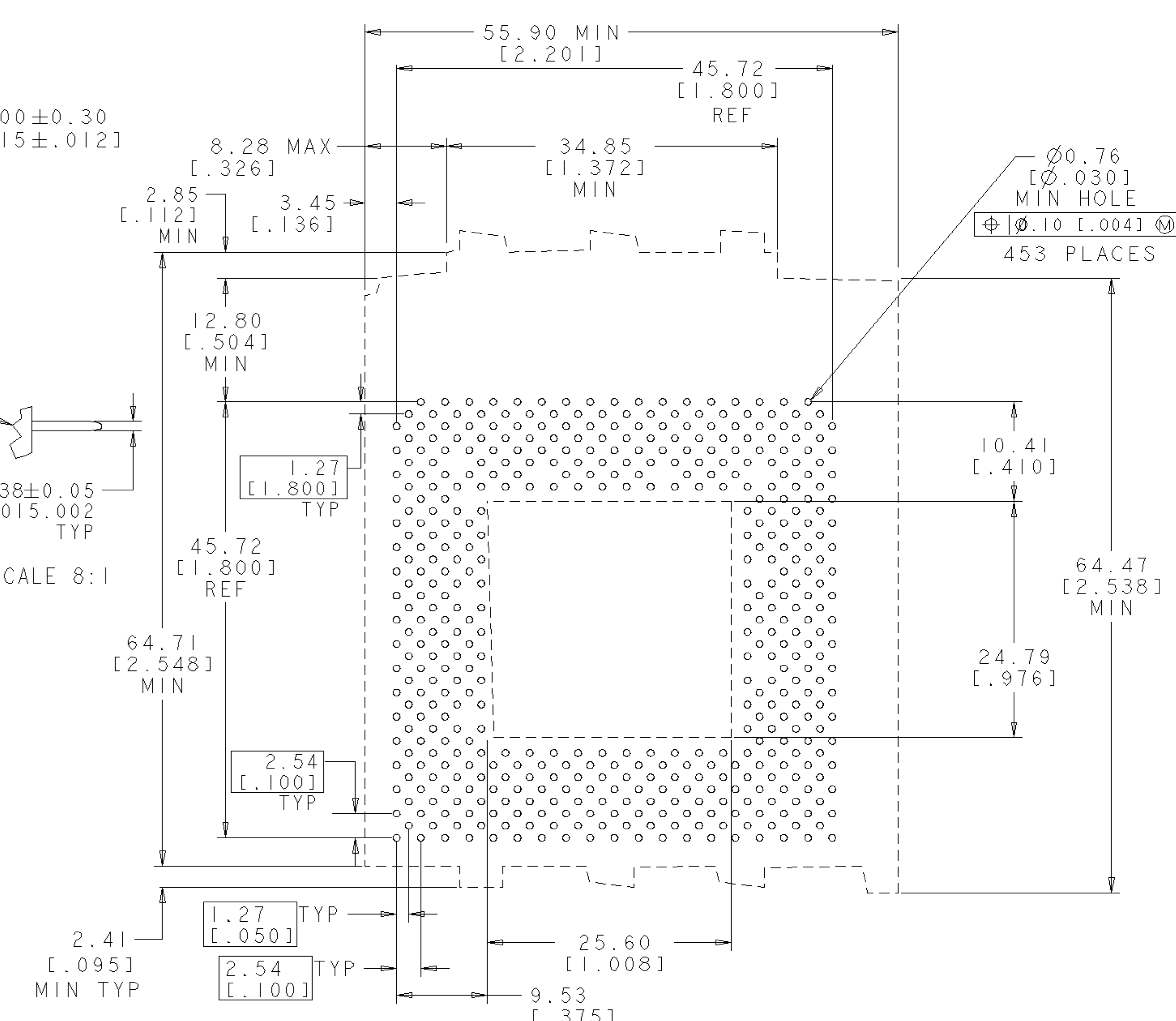
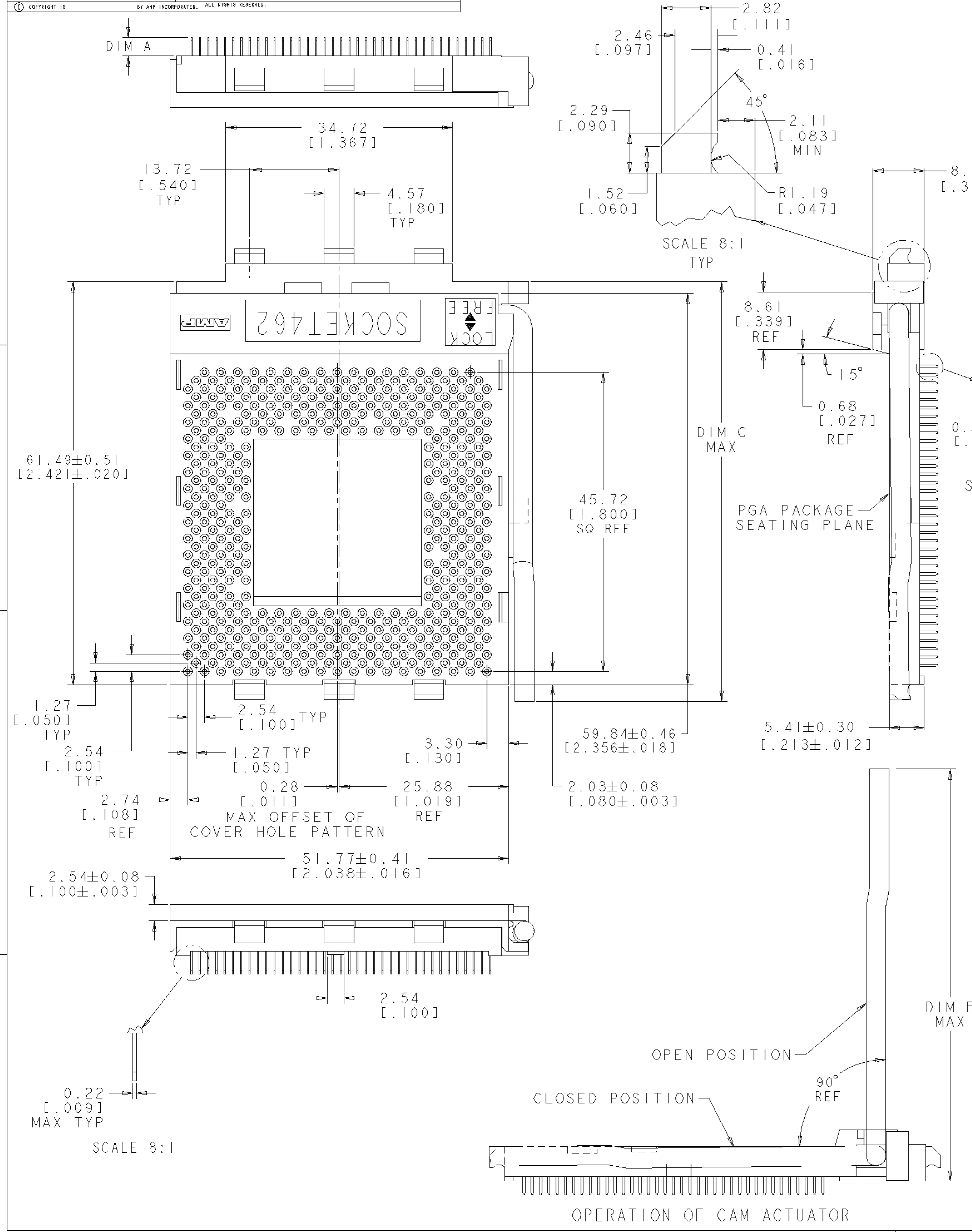


REV ISIONS		DATE	BY	APPR
LOC	DIST			
BY	LR			
B	REVISED FP00-0242-01	27 JUN 01	LWY	LSF



- 1 MATERIAL: HOUSING AND COVER ARE HIGH TEMPERATURE THERMOPLASTIC, LIQUID CRYSTAL POLYMER (LCP), COLOR: NATURAL. LP SLZ LEVER MATERIAL IS STAINLESS STEEL. CONTACT MATERIAL IS COPPER ALLOY.
- 2 FINISH: CONTACT AREA- GOLD THICKNESS PER TABLE OVER 0.0038 [0.000150] MIN. THICK NICKEL PLATE. SOLDERTAIL- 0.0038 [0.000150] MIN. THICK TIN-LEAD OVER 0.00127 [0.000050] MIN THICK NICKEL PLATE. CONTACT AREA SHALL BE FREE OF LUBRICANT.
3. TRAY PACKAGED, 90 SOCKETS PER SHIPPING BOX.

SHEET 2	67.34 [2.651]	66.48 [2.617]	2.79 [0.110]	FLASH	I-916788-4
SHEET 1	64.47 [2.538]	63.60 [2.504]	2.79 [0.110]	FLASH	916788-4
SHEET 1	64.47 [2.538]	63.60 [2.504]	2.36 [0.093]	FLASH	916788-3
SHEET 1	64.47 [2.538]	63.60 [2.504]	2.79 [0.110]	0.00038 [0.000015]	916788-2
SHEET 1	64.47 [2.538]	63.60 [2.504]	2.36 [0.093]	0.00038 [0.000015]	916788-1
VIEW	DIM C MAX. HANDLE HT. CLOSED POSITION	DIM B MAX. HANDLE HT. OPEN POSITION	SOLDERTAIL LENGTH DIM A ±0.25 [±.010]	2 MIN GOLD THICKNESS	PART NO.

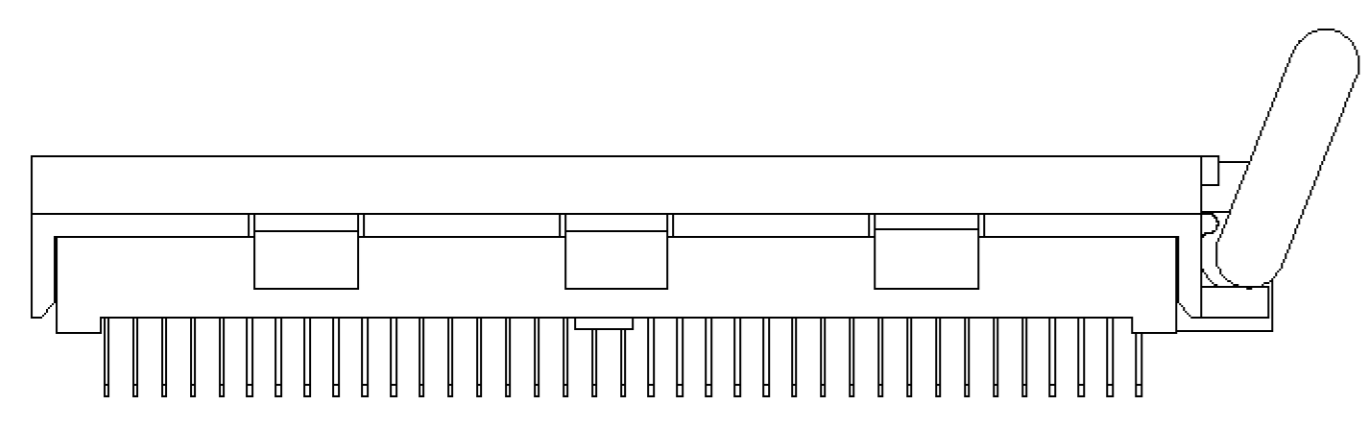
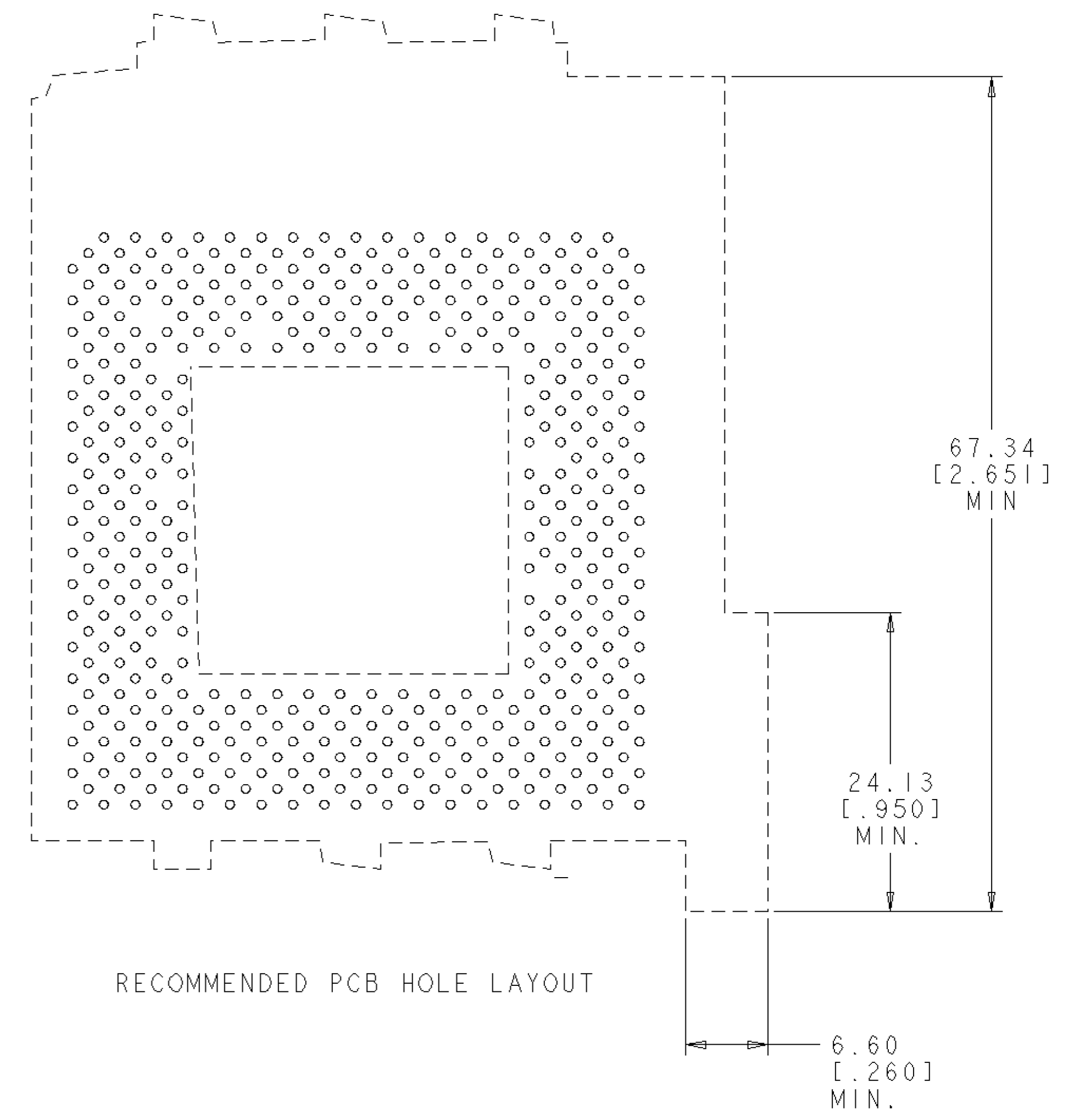
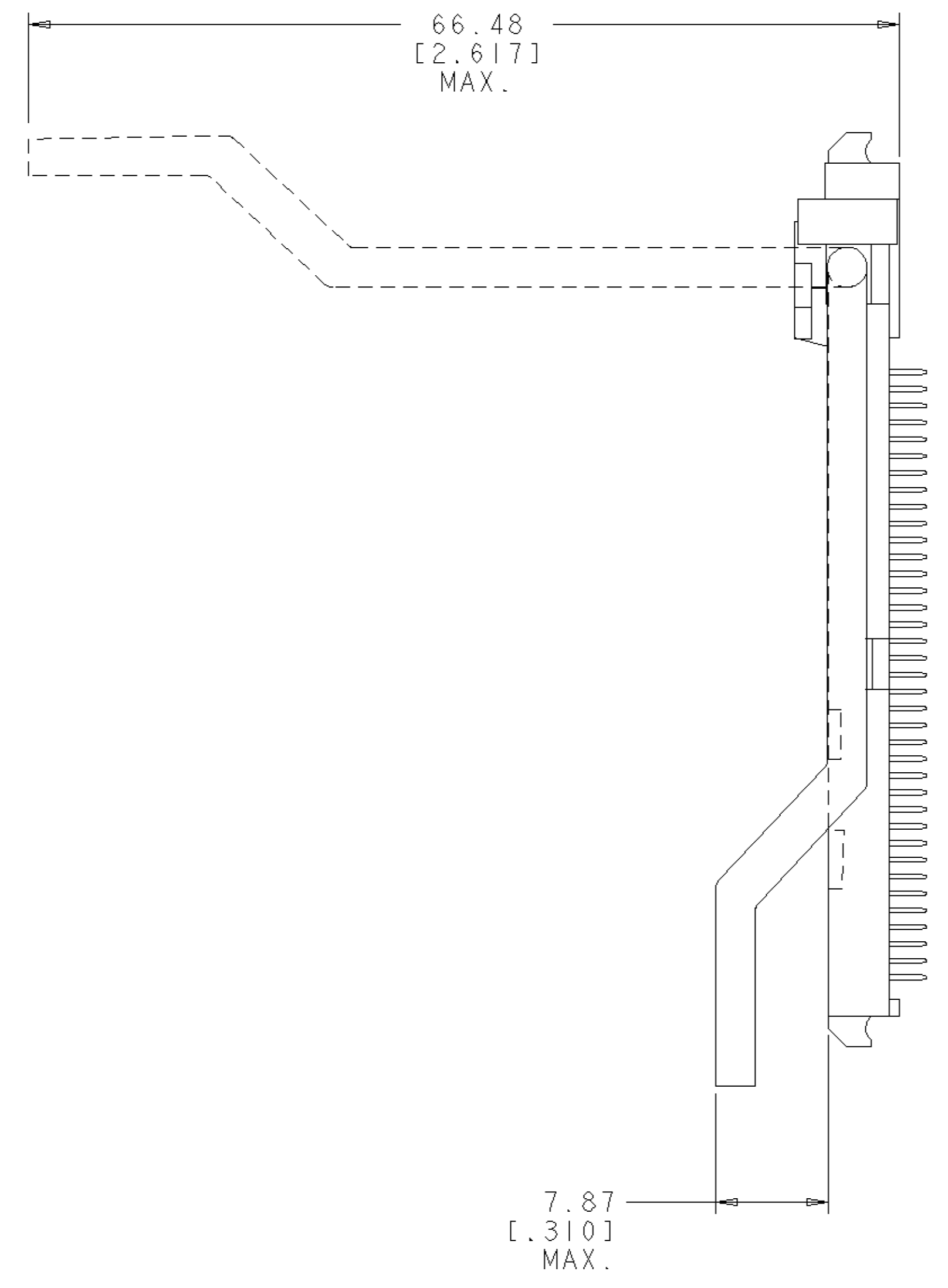
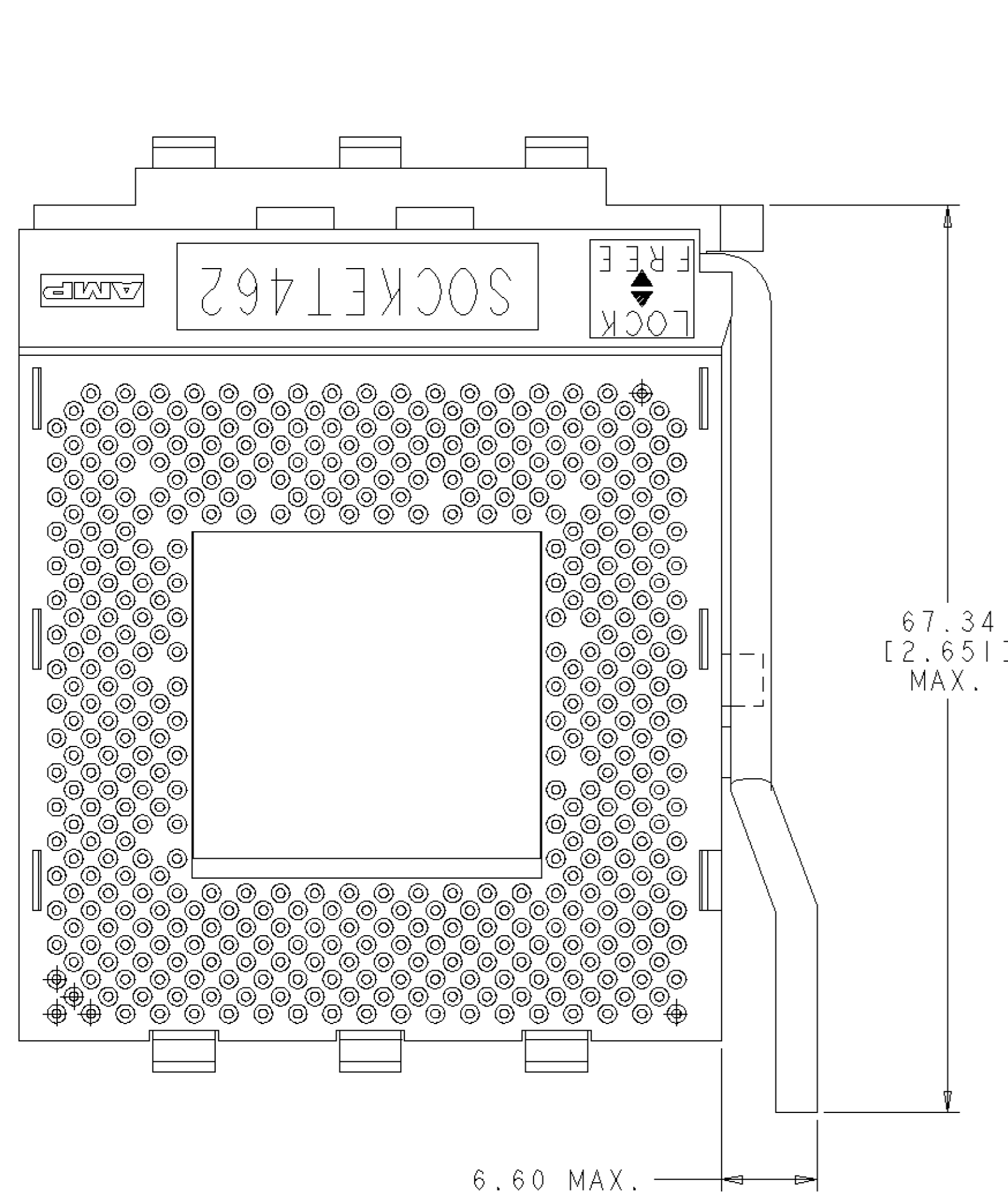
THIS DRAWING IS A CONTROLLED DOCUMENT.

AMP MANUFACTURING (SINGAPORE) PTE. LTD.

SOCKET ASSEMBLY, LOW PROFILE, ZIF PGA, 19 X 19 GRID

AMP 916788

SCALE 3:1 SHEET 1 OF 2 REV B



PART NUMBER: 1-916788-4

THIS DRAWING IS A CONTROLLED DOCUMENT.		A. HOLT 12 APR 08		AMP MANUFACTURING (SINGAPORE) PTE. LTD.	
DIMENSIONS: mm (INCHES)		TOLERANCES UNLESS OTHERWISE SPECIFIED:		NAME: B. KUHNLY	
0 PLC ±		1 PLC ±		APVD: S. LEONG	
2 PLC ±		3 PLC ±		PRODUCT SPEC: 108-1572	
4 PLC ±		ANGLES ±		APPLICATION SPEC: 114-1100	
FINISH		WEIGHT		SIZE: A1	
MATERIAL		CUSTOMER DRAWING		CAGE CODE: 00779	
				DRAWING NO: 916788	
				RESTRICTED TO: -	
				SCALE: 3:1	
				SHEET: 2 OF 2	
				REV: 8	