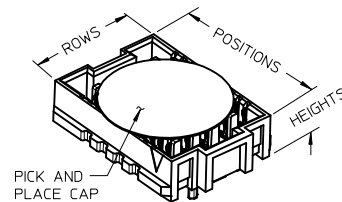
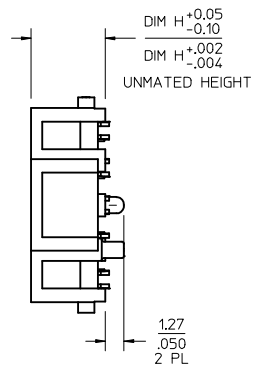
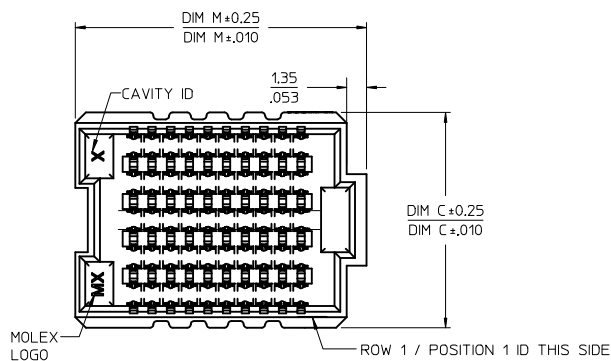


10 ROW
10 POSITION
SHOWN

NOTES:

- MATERIALS: HOUSING: LCP, GLASS FILLED, UL94V-0, BLACK
CONTACTS: COPPER ALLOY
SOLDER CHARGE: 95.5% TIN, 3.8% SILVER, 0.7% COPPER
- FINISH: SELECT GOLD IN CONTACT AREA: 30 MICROINCH MINIMUM
SELECT TIN IN TAIL, 50 MICROINCH MINIMUM
OVERALL - NICKEL UNDERPLATE OVERALL
- PRODUCT SPECIFICATION: PS-45970-001
- PACKAGING SPECIFICATION: TRAY PACK PK-45971-001
- MATES WITH SEARAY PLUG ASSEMBLY 45970
- APPLICATION SPECIFICATION: AS-45970-001
- COSMETIC SPECIFICATION: PS-45499-002 CLASS B
- PART STATUS: CONTACT MOLEX



POSITION	
10	0.15/.006
20	0.15/.006
30	0.15/.006
40	0.15/.006
50	0.15/.006
15	0.15/.006
25	0.15/.006
35	0.23/.009
45	0.23/.009

ROWS: 10				
DIM R: (REF)	5.0 MM	6.5 MM	7.5 MM	
DIM H:	5.04/.199	6.55/.258	7.54/.297	
POSITION	DIM M	MATERIAL NO	MATERIAL NO	MATERIAL NO
20	32.52/1.282		45971-2311	
30	45.26/1.782	45971-3111		
40	57.96/2.282			45971-4411

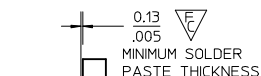
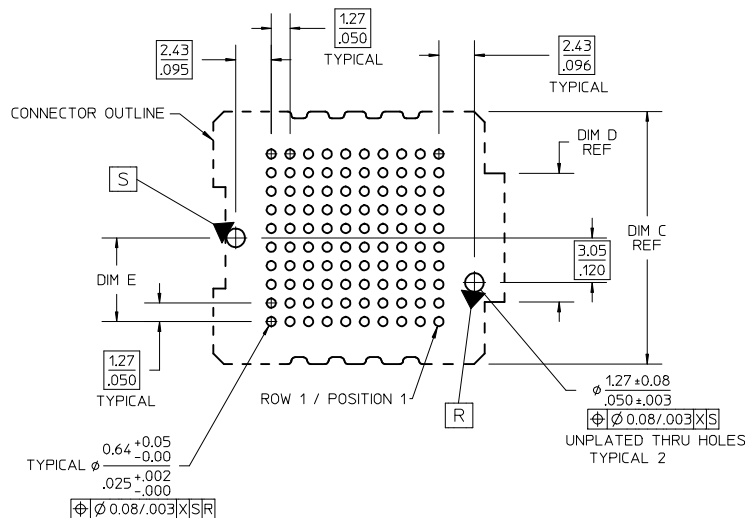
MATED STACK HEIGHTS
(GIVEN IN MILLIMETERS FOR REFERENCE ONLY)

INITIAL RELEASE EC NO: UCP2015-1206 DRAWN: RWHIPPLE 2014/10/24 CHKD: DMORGAN 2014/10/24 APPR: SMILLER 2015/01/05	QUALITY SYMBOLS $\nabla=0$ $\nabla=0$ $\nabla=0$	GENERAL TOLERANCES (UNLESS SPECIFIED) <table border="1"> <tr> <th></th> <th>mm</th> <th>INCH</th> </tr> <tr> <td>4 PLACES</td> <td>± ---</td> <td>± ---</td> </tr> <tr> <td>3 PLACES</td> <td>± ---</td> <td>± .010</td> </tr> <tr> <td>2 PLACES</td> <td>± 0.25</td> <td>± .015</td> </tr> <tr> <td>1 PLACE</td> <td>± 0.38</td> <td>± ---</td> </tr> <tr> <td>0 PLACE</td> <td>±</td> <td>±</td> </tr> </table>		mm	INCH	4 PLACES	± ---	± ---	3 PLACES	± ---	± .010	2 PLACES	± 0.25	± .015	1 PLACE	± 0.38	± ---	0 PLACE	±	±	DIMENSION STYLE MM/IN	SCALE 3:1	DESIGN UNITS INCH	THIRD ANGLE PROJECTION
		mm	INCH																					
	4 PLACES	± ---	± ---																					
	3 PLACES	± ---	± .010																					
2 PLACES	± 0.25	± .015																						
1 PLACE	± 0.38	± ---																						
0 PLACE	±	±																						
DRAWN BY RWHIPPLE	DATE 2014/10/24	CHECKED BY DMORGAN	DATE 2014/10/24	TITLE SEARAY RECEPTACLE ASSY 1.27/.050 CENTERS TRAY PACKAGING																				
APPROVED BY SMILLER	DATE 2015/01/05	molex			DOCUMENT NO. RSD-45971-002	SHEET NO. 1 OF 2																		
MATERIAL NO. SEE TABLE	THIS DRAWING CONTAINS INFORMATION THAT IS PROPRIETARY TO MOLEX INCORPORATED AND SHOULD NOT BE USED WITHOUT WRITTEN PERMISSION																							

10 9 8 7 6 5 4 3 2 1

NO OF ROWS	DIM C	DIM D	DIM E
8	12.14/.478	3.70/.146	4.44/.175
10	14.68/.578	6.24/.246	5.71/.225

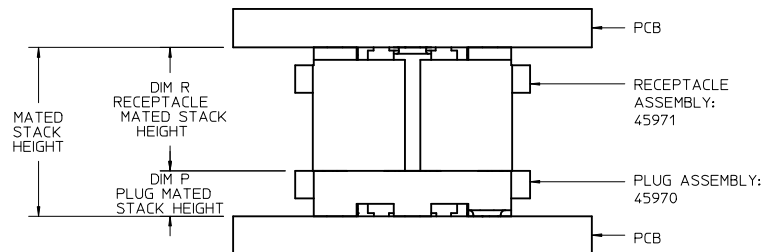
10 ROW
10 POSITION
SHOWN



RECOMMENDED PCB LAYOUT: COMPONENT SIDE
SOLDER SCREEN APERTURE SIZE: .890/.035 DIAMETER
PCB THICKNESS: NA

DIM P PLUG STACK HEIGHT	DIM R RECEPTACLE STACK HEIGHT			
	MM	5.0	6.5	7.5
	2.0	7.0	8.5	9.5
	3.0	8.0	9.5	10.5
	3.5	8.5	10.0	11.0
	2.5	7.5	9.0	10.0
	4.5	9.5	11.0	12.0
5.0	10.0	11.5	12.5	
7.0	12.0	13.5	14.5	

MATED STACK HEIGHTS
GIVEN IN MILLIMETERS (MM) FOR REFERENCE ONLY



MATED STACK HEIGHTS
(GIVEN IN MILLIMETERS FOR REFERENCE ONLY)

SEE SHEET 1 EC NO: UCP2015-1206 DRWN:RWHIPPLE 2014/10/24 CHKD:DMORGAN 2014/10/24 APPR:SMILLER 2015/01/05	QUALITY SYMBOLS	GENERAL TOLERANCES (UNLESS SPECIFIED)	DIMENSION STYLE	SCALE	DESIGN UNITS	THIRD ANGLE PROJECTION
	$\nabla F=0$	mm INCH	MM/IN	3:1	INCH	
	$\nabla F=2$	4 PLACES ± --- ± ---	DRAWN BY DATE	TITLE		
	$\nabla F=0$	3 PLACES ± --- ± .010	RWHIPPLE 2014/10/24	SEARAY RECEPTACLE ASSY 1.27/.050 CENTERS TRAY PACKAGING		
	2 PLACES ± 0.25 ± .015	CHECKED BY DATE	DOCUMENT NO.			SHEET NO.
	1 PLACE ± 0.38 ± ---	DMORGAN 2014/10/24	RSD-45971-002			2 OF 2
	0 PLACE ± ±	APPROVED BY DATE	MATERIAL NO.			
	ANGULAR ± --- °	SMILLER 2015/01/05	SEE TABLE SHEET 1			
	DRAFT WHERE APPLICABLE MUST REMAIN WITHIN DIMENSIONS		SIZE B			
			THIS DRAWING CONTAINS INFORMATION THAT IS PROPRIETARY TO MOLEX INCORPORATED AND SHOULD NOT BE USED WITHOUT WRITTEN PERMISSION			

9 8 7 6 5 4 3 2 1