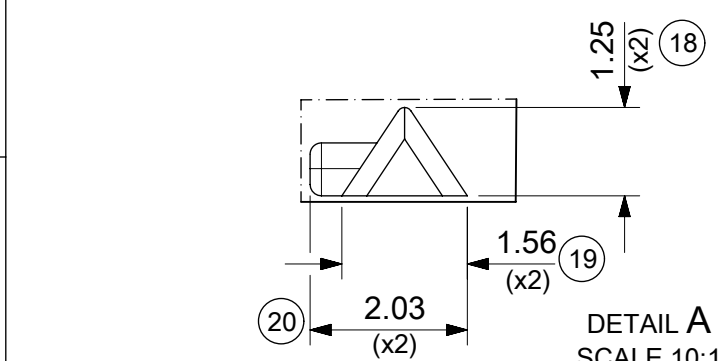
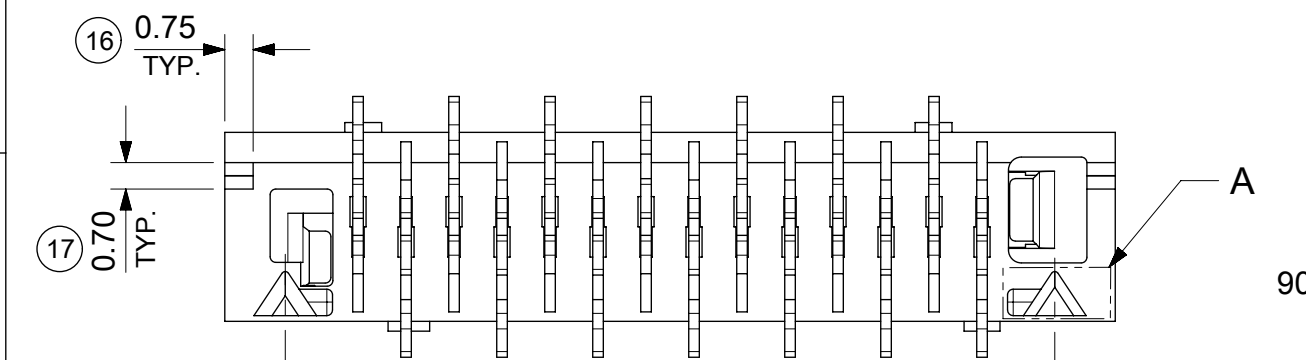
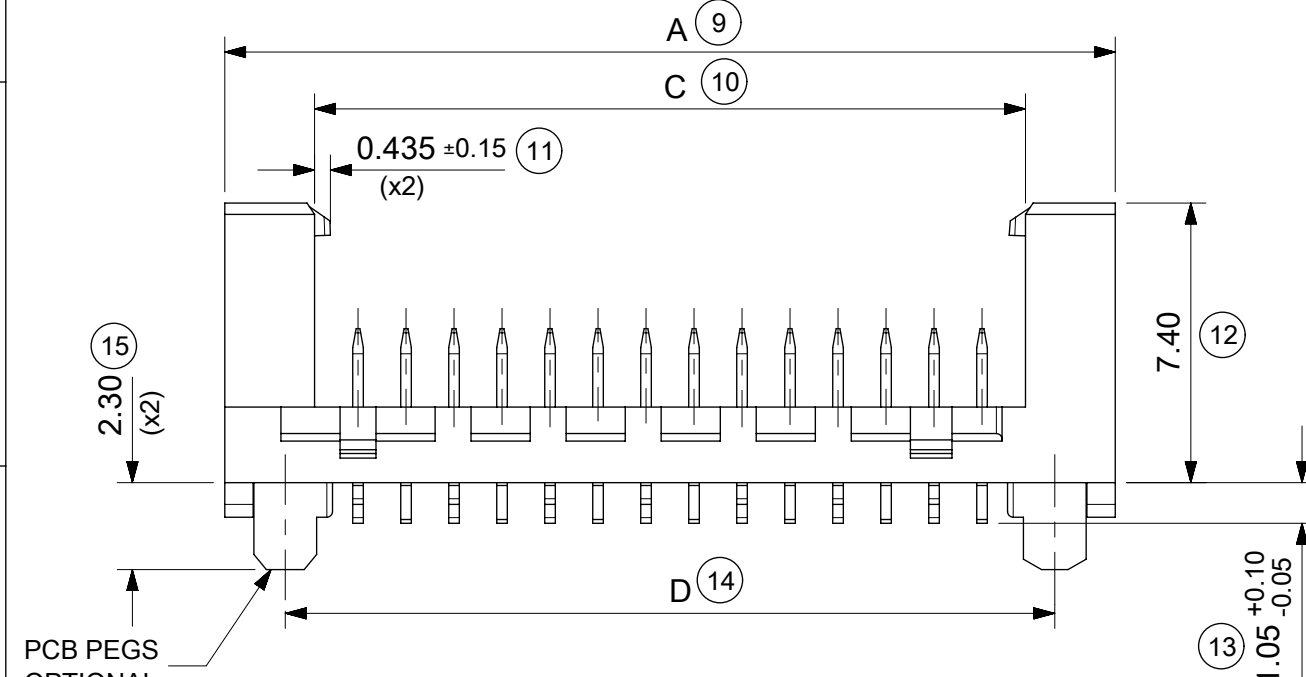


14 CIRCUIT SHOWN FOR ILLUSTRATION ONLY.



PART NO.	NUMBER OF CKTS	DIMN. A	DIMN. B	DIMN. C	DIMN. D
90816-**04	04	10.86	3.81	6.11	7.66
90816-**06	06	13.40	6.35	8.65	10.20
90816-**08	08	15.94	8.89	11.19	12.74
90816-**10	10	18.48	11.43	13.73	15.28
90816-**12	12	21.02	13.97	16.27	17.82
90816-**14	14	23.56	16.51	18.81	20.36
90816-**16	16	26.10	19.05	21.35	22.90
90816-**18	18	28.64	21.59	23.89	25.44
90816-**20	20	31.18	24.13	26.43	27.98
90816-**22	22	33.72	26.67	28.97	30.52
90816-**24	24	36.26	29.21	31.51	33.06
90816-**26	26	38.80	31.75	34.05	35.60

SEE NOTE-7

- NOTES:
- MATERIAL  
HOUSING: PPA, GLASS-FILLED, COLOUR: BLACK, UL 94-HB.  
TERMINAL: BRASS
  - FINISHES: TERMINAL  
Gold : UNDERPLATED 1.27µm MIN NICKEL  
3-5µm TIN SELECTIVE  
0.76µm MIN. SELECTIVE GOLD  
TIN: 3 MICROMETRE MINIMUM OVER NICKEL UNDERPLATE.
  - PRODUCT SPECIFICATION: PS-99020-0011
  - PACKAGING SPECIFICATION: FOR TAPE AND REEL SEE: PK-90816-006  
FOR TUBE SEE: PK-90816-007
  - MATES WITH MOLEX 90327 PART SERIES.
  - ALL SMT TAILS TO LIE WITHIN A COPLANARITY BAND OF 0 - 0.10 MICROMETRE REF. FROM EACH OTHER.
  - 4 CIRCUIT PART NOT AVAILABLE IN TAPE AND REEL.
- LAST INSPECTION NUMBER USED: 20

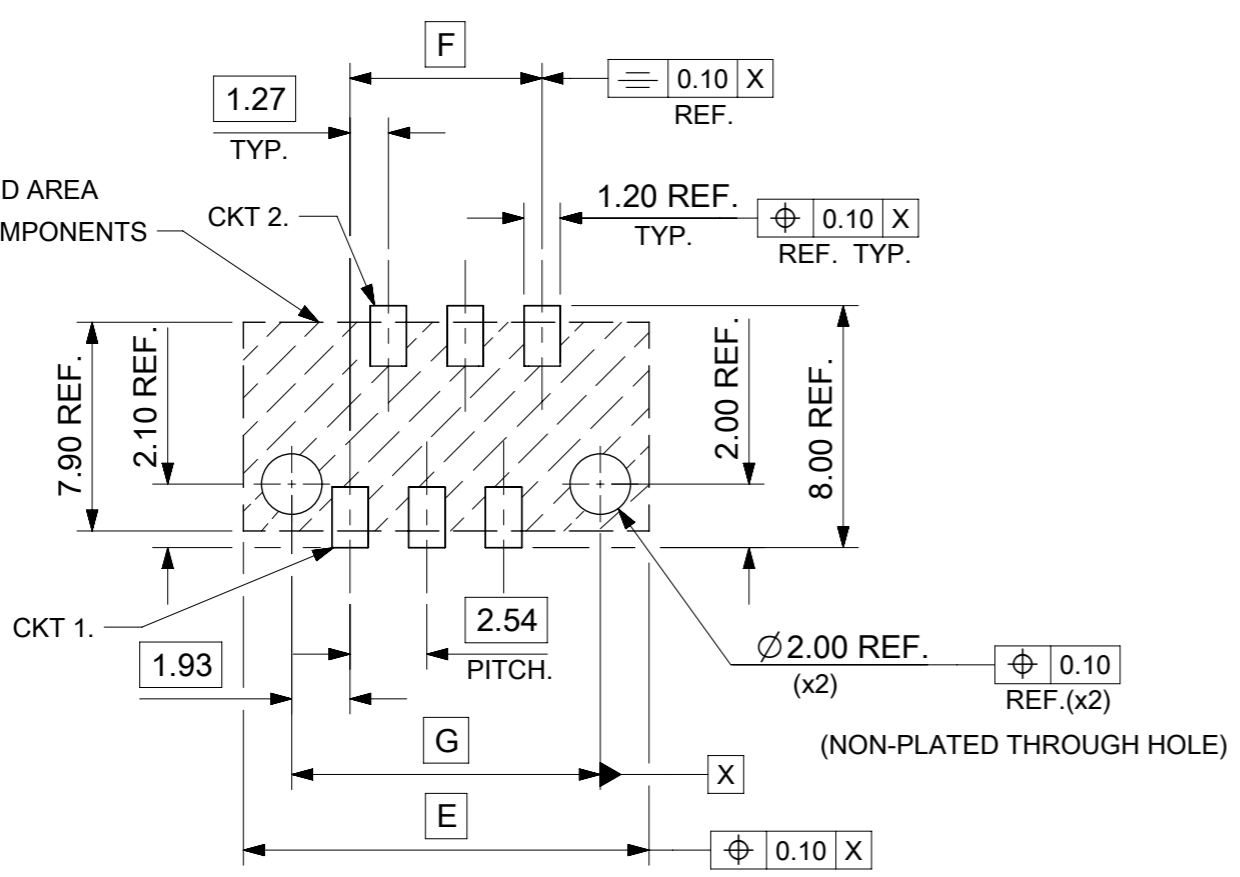
90816 - \*\* \*\*

CIRCUIT SIZE.

	PCB PEGS	TUBE PACKED	TAPE & REEL PACKED
0	YES	YES	NO
2	YES	NO	YES
3	NO	YES	NO
5	NO	NO	YES

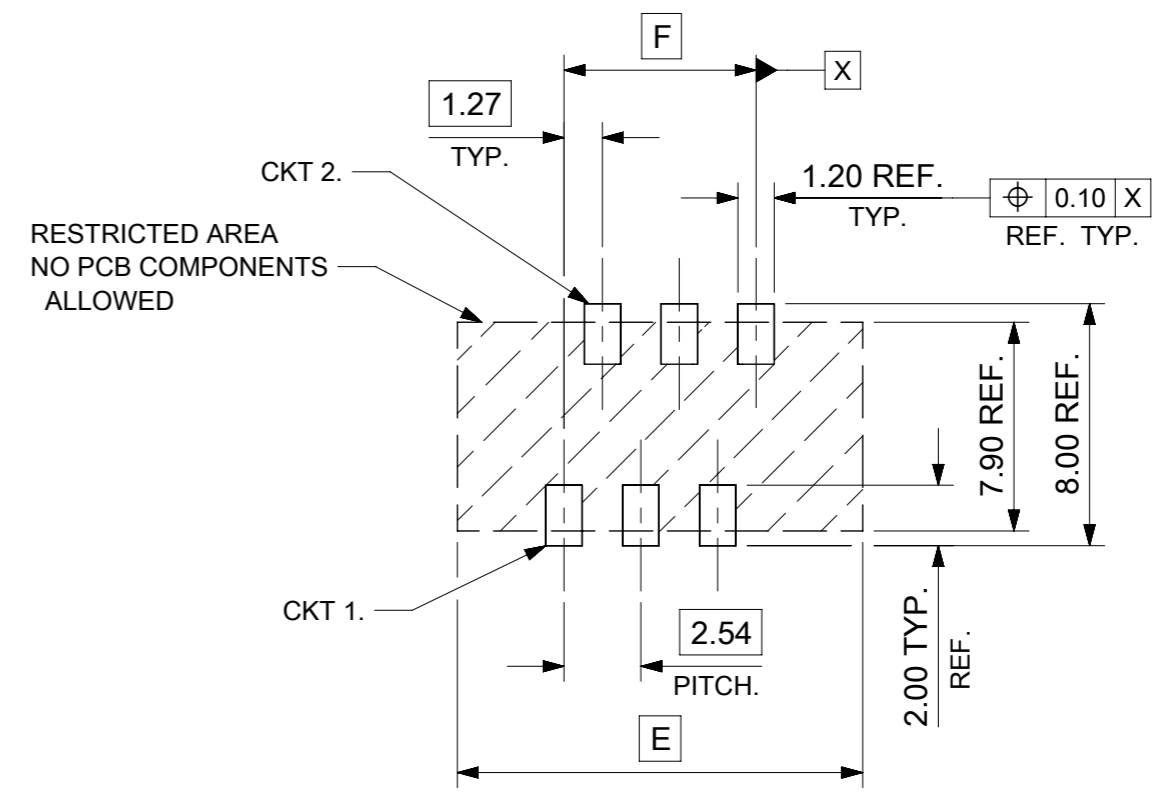
0 = TIN VERSION  
3 = 0.76µm GOLD PLATING

FUNCTIONAL SYMBOLS		THIS DRAWING CONTAINS INFORMATION THAT IS PROPRIETARY TO MOLEX ELECTRONIC TECHNOLOGIES, LLC AND SHOULD NOT BE USED WITHOUT WRITTEN PERMISSION		CURRENT REV DESC: CAD MIGRATION	
$\nabla$	0	mm	5:1		
$\nabla$	0	GENERAL TOLERANCES (UNLESS SPECIFIED)			
$\nabla$	0	ANGULAR TOL ± 2.0°			
DIVISIONAL SYMBOLS		4 PLACES ±		EC NO: 738955	
		3 PLACES ±		DRWN: GOWTHP 2023/02/02	
		2 PLACES ± 0.25		CHK'D: GOWTHP 2023/02/16	
		1 PLACE ± 0.35		APPR: ISHWARG 2023/02/20	
		0 PLACES ±		INITIAL REVISION:	
		DRAFT WHERE APPLICABLE MUST REMAIN WITHIN DIMENSIONS		DRWN: DBYRNES 2008/08/16	
		THIRD ANGLE PROJECTION		APPR: EFOLAN 2010/11/04	
		DRAWING A3		SERIES 90816	
		MATERIAL NUMBER SEE CHART		CUSTOMER GENERAL MARKET	
		DOCUMENT NUMBER SD-90816-001		DOC TYPE PSD	
		DOC PART 001		REVISION G1	
		SHEET NUMBER 1 OF 2			



RESTRICTED AREA  
NO PCB COMPONENTS  
ALLOWED

RECOMMENDED PCB THICKNESS 1.60±0.14  
PCB LAYOUT FOR CLEARANCE FIT WITH PCB PEGS  
HEADER VERSIONS 90816-\*0\*\*/\*2\*\*  
VIEWED FROM COMPONENT SIDE  
6CKT PART SHOWN FOR REFERENCE



RESTRICTED AREA  
NO PCB COMPONENTS  
ALLOWED

PCB LAYOUT WITHOUT PCB PEGS  
HEADER VERSIONS 90816-\*3\*\*/\*5\*\*  
VIEWED FROM COMPONENT SIDE  
6CKT PART SHOWN FOR REFERENCE

PART NO.	NUMBER OF CKTS	DIM. E	DIM. F	DIM. G
90816-**26	26	38.80	31.75	35.60
90816-**24	24	36.26	29.21	33.06
90816-**22	22	33.72	26.67	30.52
90816-**20	20	31.18	24.13	27.98
90816-**18	18	28.64	21.59	25.44
90816-**16	16	26.10	19.05	22.90
90816-**14	14	23.56	16.51	20.36
90816-**12	12	21.02	13.97	17.82
90816-**10	10	18.48	11.43	15.28
90816-**08	8	15.94	8.89	12.74
90816-**06	6	13.40	6.35	10.20
90816-**04	4	10.86	3.81	7.66

DOCUMENT STATUS P1 RELEASE DATE 2023/02/20 05:04:35

FUNCTIONAL SYMBOLS	THIS DRAWING CONTAINS INFORMATION THAT IS PROPRIETARY TO MOLEX ELECTRONIC TECHNOLOGIES, LLC AND SHOULD NOT BE USED WITHOUT WRITTEN PERMISSION	CURRENT REV DESC: CAD MIGRATION		<b>molex</b>
	GENERAL TOLERANCES (UNLESS SPECIFIED)	EC NO: 738955		
DIVISIONAL SYMBOLS	4 PLACES ±	DRWN: GOWTHP	2023/02/02	PRODUCT CUSTOMER DRAWING
	3 PLACES ±	CHK'D: GOWTHP	2023/02/16	
	2 PLACES ± 0.25	APPR: ISHWARG	2023/02/20	DOC TYPE PSD
	1 PLACE ± 0.35	INITIAL REVISION:		DOC PART 001
	0 PLACES ±	DRWN: DBYRNES	2010/11/04	REVISION G1
	DRAFT WHERE APPLICABLE MUST REMAIN WITHIN DIMENSIONS	APPR: EFOLAN	2008/08/26	
	THIRD ANGLE PROJECTION	DRAWING A3-SIZE	SERIES 90816	MATERIAL NUMBER SEE SHEET 1
			CUSTOMER GENERAL MARKET	SHEET NUMBER 2 OF 2