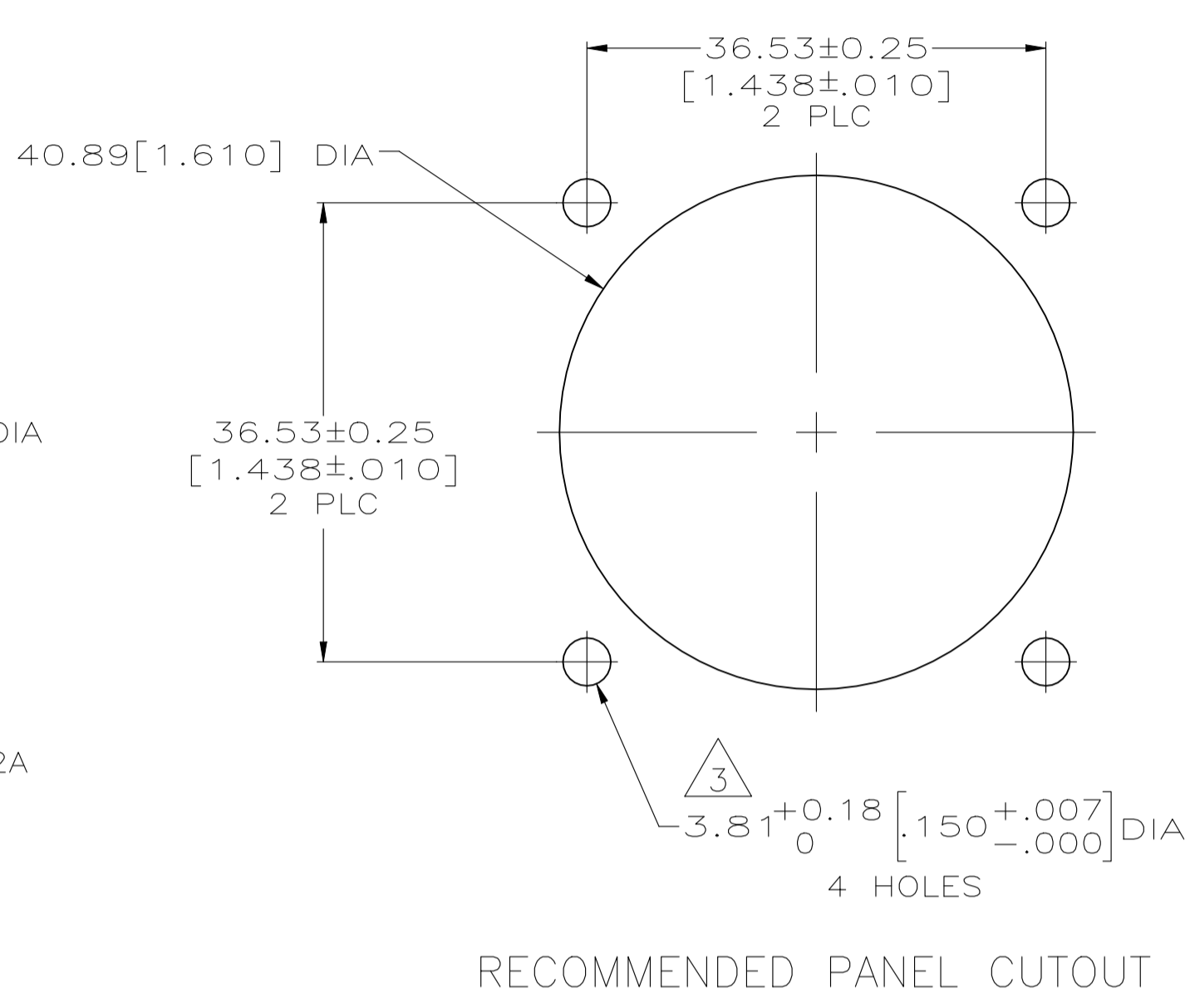
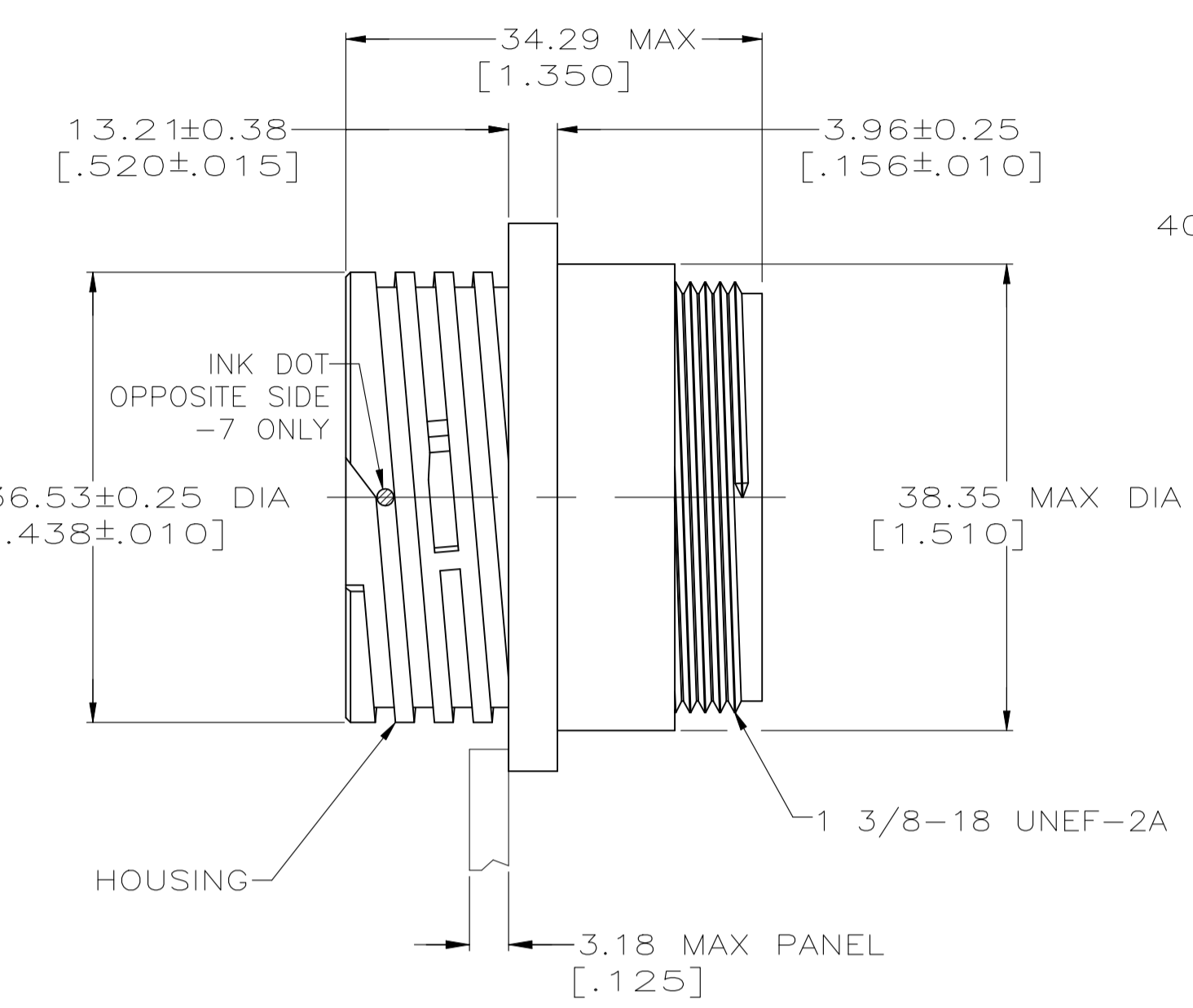
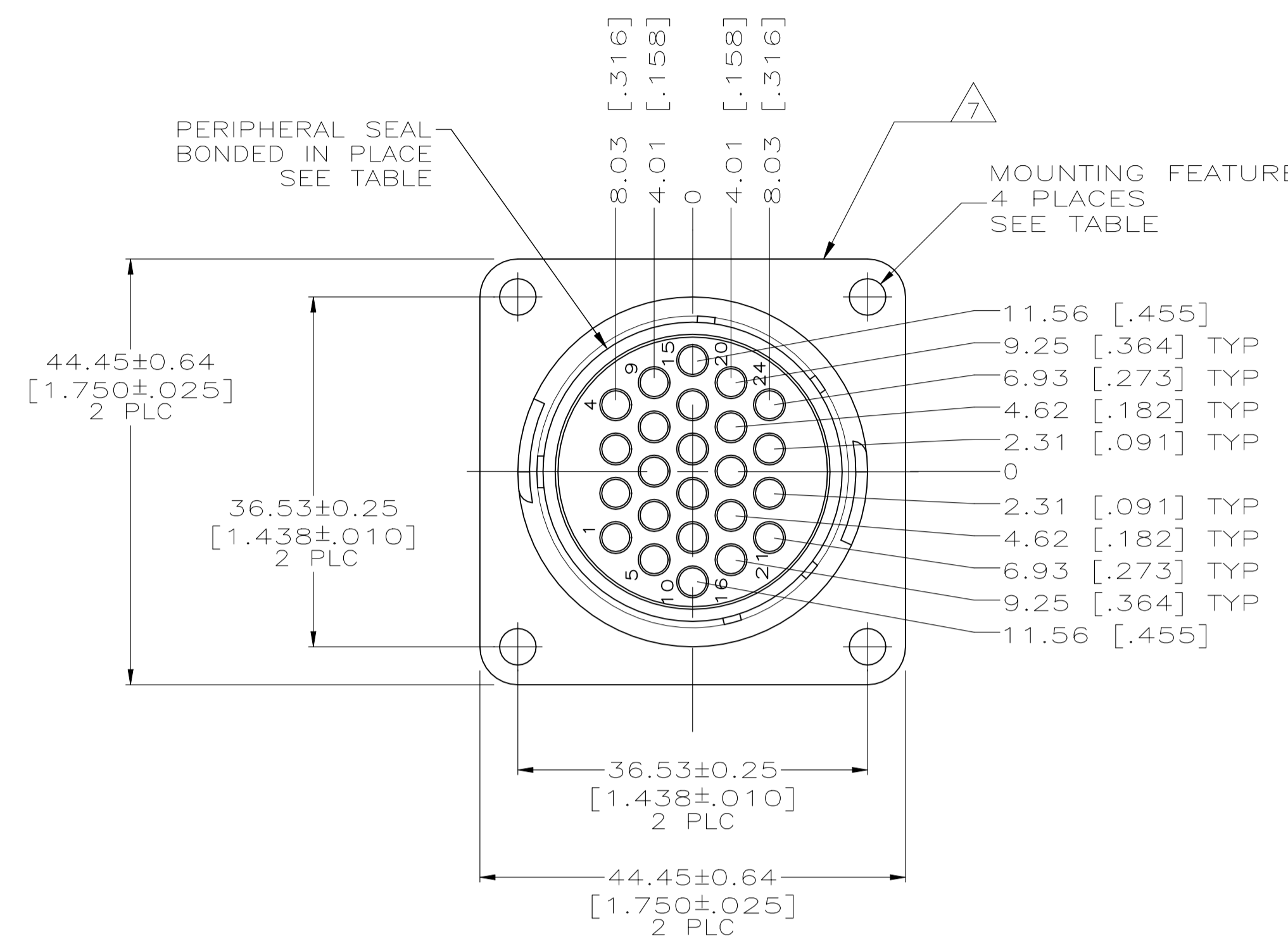
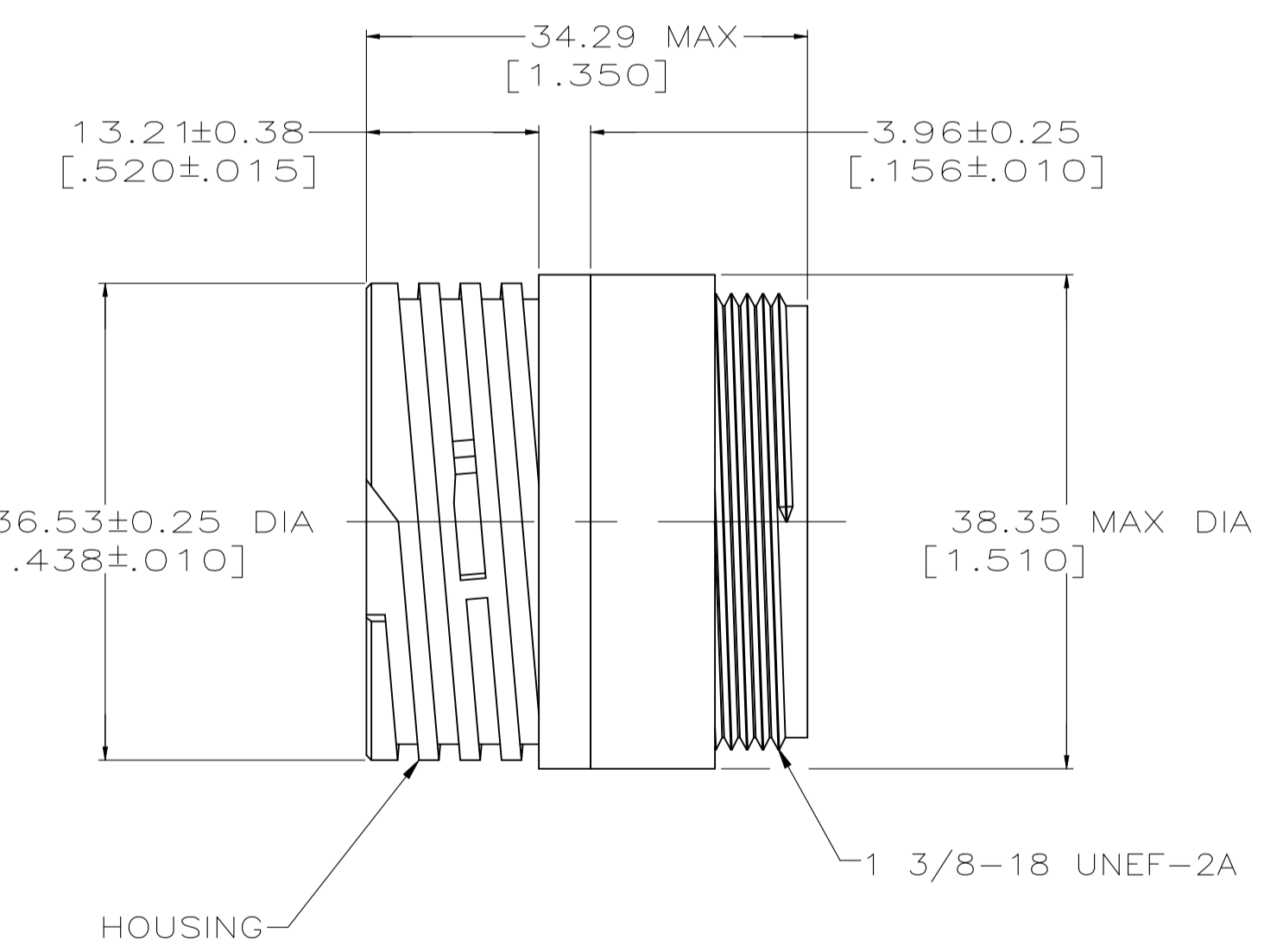
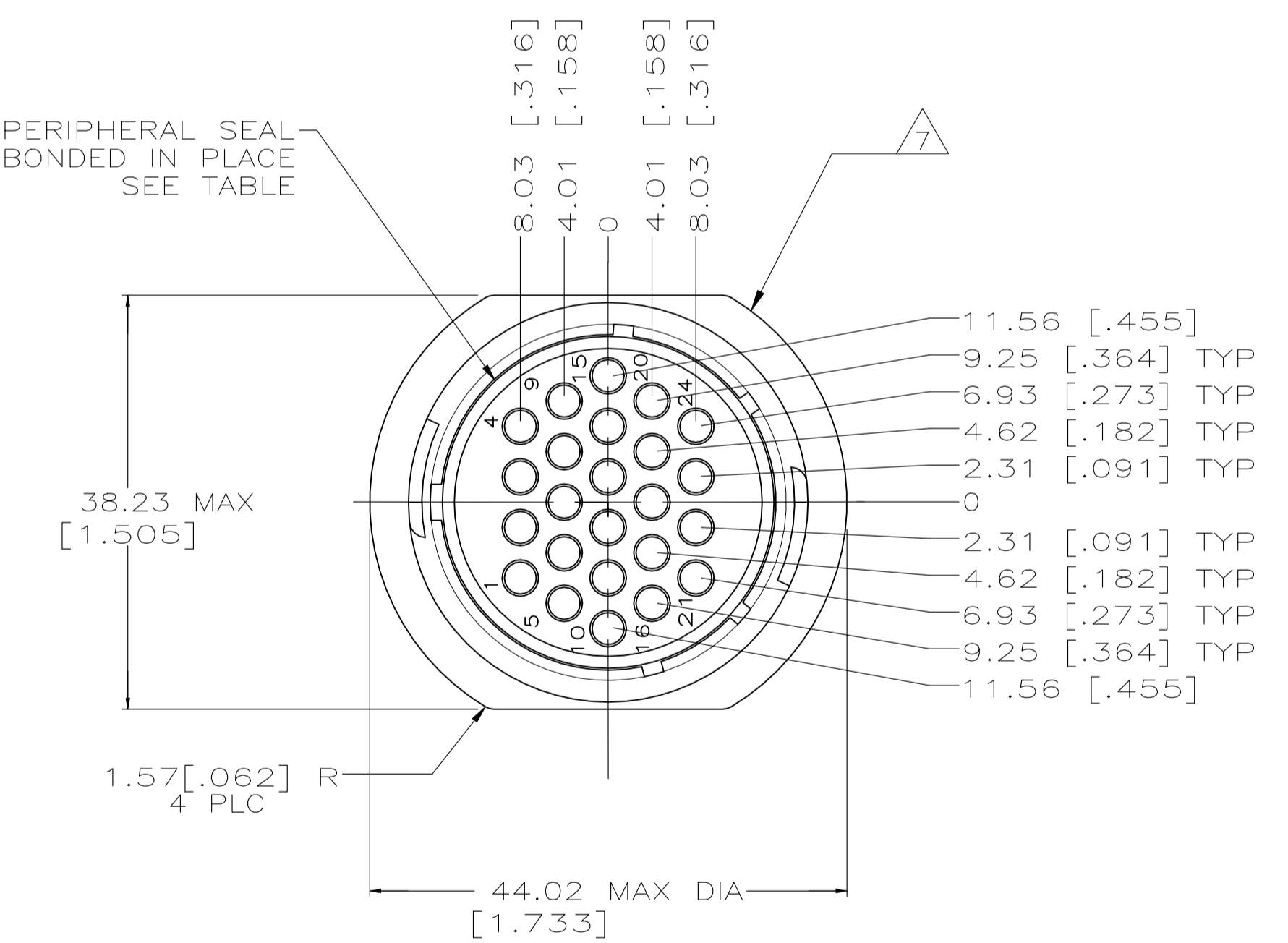


REVISIONS					
P	LTR	DESCRIPTION	DATE	DRN	APVD
P		REVISED PER ECN-22-183611	10NOV2022	RK	MZ



DETAIL A



DETAIL B

- 1 CAVITY IDENTIFICATION ON FRONT AND REAR FACE.
- 2 WILL ACCEPT (24) MULTIMATE PIN CONTACTS.
- 3 NO 4 FASTENER RECOMMENDED FOR MOUNTING.
- 4 MAXIMUM INSULATION NOT TO EXCEED .150 DIA.
- 5 WHITE DOT NEAR POSITION 1 ON WIRE ENTRY FACE.
- 6 MATERIALS
HOUSING: PA66, BLACK
PERIPHERAL SEAL: NITRILE BUTADIENE RUBBER, BLACK
THREADED INSERTS: BRASS

7 TE LOGO AND PART NUMBER LOCATED ON ANY FLANGE EDGE

#4-40 THREADED INSERTS	STANDARD	YES	A	1-206838-0
#4-40 THREADED INSERTS	STANDARD	NO	A	206838-9
3.81 (.150) MOUNTING HOLES	STANDARD	YES	A	206838-8
3.81 (.150) MOUNTING HOLES	STANDARD	YES	A	206838-7
3.81 (.150) MOUNTING HOLES	SMALL PACK	NO	A	206838-5
3.81 (.150) MOUNTING HOLES	STANDARD	YES	B	206838-4
	STANDARD	YES	A	206838-3
	STANDARD	NO	B	206838-2
	STANDARD	NO	A	206838-1
MOUNTING FEATURE	PACKAGING	PERIPHERAL SEAL	SEE DETAIL	PART NUMBER

THIS DRAWING IS A CONTROLLED DOCUMENT.

DIMENSIONS:	TOLERANCES UNLESS OTHERWISE SPECIFIED:	DIN	10/29/92
mm [INCHES]		D.GELTZ	
		CHK	08/11/93
		R.STONE	
		APVD	
		NAME	
		PRODUCT SPEC	
		APPLICATION SPEC	
		SIZE	
		CAGE CODE	
		DRAWING NO	
		RESTRICTED TO	
		WEIGHT	
		A1 00779	
		C=206838	
		CUSTOMER DRAWING	
		SCALE	2:1
		SHEET	1 of 1
		REV	P

STE TE Connectivity

RECEPTACLE HOUSING, STANDARD
SEX, SHELL SIZE 23, CPC