

# LC75833E, LC75833W, LC75833JE

## 1/3 Duty General-Purpose LCD Driver



**ON Semiconductor**<sup>®</sup>

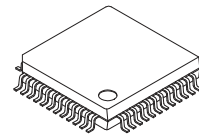
www.onsemi.com

### Overview

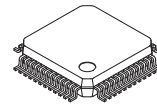
The LC75833E, LC75833W, and LC75833JE are 1/3-duty general-purpose LCD display drivers that can be used for frequency display in electronic tuners under the control of a microcontroller. The LC75833E and LC75833W can drive an LCD with up to 105 segments directly, the LC75833JE can drive an LCD with up to 93 segments directly. The LC75833E and LC75833W and LC75833JE can also control up to 8 general-purpose output ports. Since the LC75833E, LC75833W, and LC75833JE use separate power supply systems for the LCD drive block and the logic block, the LCD driver block power-supply voltage can be set to any voltage in the range 2.7 to 6.0 volts, regardless of the logic block power-supply voltage.

### Features

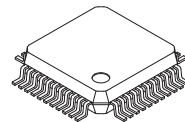
- Supports both 1/3 duty 1/2 bias and 1/3 duty 1/3 bias LCD drive under serial data control  
LC75833E, LC75833W: up to 105 segments  
LC75833JE: up to 93 segments  
(without the S12, S23, S24, S35 segment output pins from the LC75833E, LC75833W)
- Serial data input supports CCB\* format communication with the system controller
- Serial data control of the power-saving mode based backup function and all the segments forced off function
- Serial data control of switching between the segment output port and the general-purpose output port functions
- High generality, since display data is displayed directly without decoder intervention
- Independent VLCD for the LCD driver block (VLCD can be set to any voltage in the range 2.7 to 6.0 volts, regardless of the logic block power-supply voltage.)
- The  $\overline{\text{INH}}$  pin can force the display to the off state
- RC oscillator circuit



PQFP48 14x14 / QIP48E  
[LC75833E]



SPQFP48 7x7 / SQFP48  
[LC75833W]



PQFP44 10x10 / QIP44M  
[LC75833JE]

\* Computer Control Bus (CCB) is an ON Semiconductor's original bus format and the bus addresses are controlled by ON Semiconductor.

### ORDERING INFORMATION

See detailed ordering and shipping information on page 23 of this data sheet.

## Specifications

### Absolute Maximum Ratings at $T_a = 25^\circ\text{C}$ , $V_{SS} = 0\text{ V}$

Parameter	Symbol	Conditions	Ratings	Unit
Maximum supply voltage	$V_{DD\text{ max}}$	$V_{DD}$	-0.3 to +7.0	V
	$V_{LCD\text{ max}}$	$V_{LCD}$	-0.3 to +7.0	V
Input voltage	$V_{IN\ 1}$	CE, CL, DI, $\overline{\text{INH}}$	-0.3 to +7.0	V
	$V_{IN\ 2}$	OSC	-0.3 to $V_{DD} + 0.3$	V
	$V_{IN\ 3}$	$V_{LCD\ 1}$ , $V_{LCD\ 2}$	-0.3 to $V_{LCD} + 0.3$	V
Output voltage	$V_{OUT\ 1}$	OSC	-0.3 to $V_{DD} + 0.3$	V
	$V_{OUT\ 2}$	S1 to S35, COM1 to COM3, P1 to P8	-0.3 to $V_{LCD} + 0.3$	V
Output current	$I_{OUT\ 1}$	S1 to S35	300	$\mu\text{A}$
	$I_{OUT\ 2}$	COM1 to COM3	3	mA
	$I_{OUT\ 3}$	P1 to P8	5	mA
Allowable power dissipation	$P_d\text{ max}$	$T_a = 85^\circ\text{C}$	150	mW
Operating temperature	$T_{opr}$		-40 to +85	$^\circ\text{C}$
Storage temperature	$T_{stg}$		-55 to +125	$^\circ\text{C}$

Note: The LC75833JE does not have the S12, S23, S24, S35 output pins.

### Allowable Operating Ranges at $T_a = -40$ to $+85^\circ\text{C}$ , $V_{SS} = 0\text{ V}$

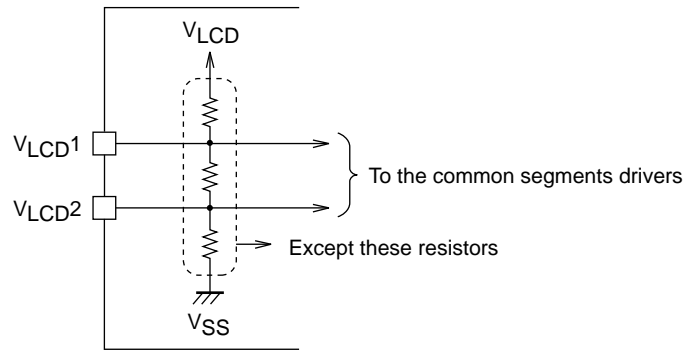
Parameter	Symbol	Conditions	Ratings			Unit
			min	typ	max	
Supply voltage	$V_{DD}$	$V_{DD}$	2.7		6.0	V
	$V_{LCD}$	$V_{LCD}$	2.7		6.0	V
Input voltage	$V_{LCD1}$	$V_{LCD1}$		$2/3 V_{LCD}$	$V_{LCD}$	V
	$V_{LCD2}$	$V_{LCD2}$		$1/3 V_{LCD}$	$V_{LCD}$	V
Input high-level voltage	$V_{IH}$	CE, CL, DI, $\overline{\text{INH}}$	$0.8 V_{DD}$		6.0	V
Input low-level voltage	$V_{IL}$	CE, CL, DI, $\overline{\text{INH}}$	0		$0.2 V_{DD}$	V
Recommended external resistance	$R_{OSC}$	OSC		39		$\text{k}\Omega$
Recommended external capacitance	$C_{OSC}$	OSC		1000		pF
Guaranteed oscillation range	$f_{OSC}$	OSC	19	38	76	kHz
Data setup time	$t_{ds}$	CL, DI: Figure 2	160			ns
Data hold time	$t_{dh}$	CL, DI: Figure 2	160			ns
CE wait time	$t_{cp}$	CE, CL: Figure 2	160			ns
CE setup time	$t_{cs}$	CE, CL: Figure 2	160			ns
CE hold time	$t_{ch}$	CE, CL: Figure 2	160			ns
High-level clock pulse width	$t_{\phi H}$	CL: Figure 2	160			ns
Low-level clock pulse width	$t_{\phi L}$	CL: Figure 2	160			ns
Rise time	$t_r$	CE, CL, DI: Figure 2		160		ns
Fall time	$t_f$	CE, CL, DI: Figure 2		160		ns
$\overline{\text{INH}}$ switching time	$t_c$	$\overline{\text{INH}}$ , CE: Figure 3	10			$\mu\text{s}$

**Electrical Characteristics for the Allowable Operating Ranges**

Parameter	Symbol	Conditions	Ratings			Unit
			min	typ	max	
Hysteresis width	$V_H$	CE, CL, DI, $\overline{\text{INH}}$		0.1 $V_{DD}$		V
Input high level current	$I_{IH}$	CE, CL, DI, $\overline{\text{INH}}$ ; $V_I = 6.0$ V			5.0	$\mu\text{A}$
Input low level current	$I_{IL}$	CE, CL, DI, $\overline{\text{INH}}$ ; $V_I = 0$ V	-5.0			$\mu\text{A}$
Output high-level voltage	$V_{OH1}$	S1 to S35; $I_O = -20$ $\mu\text{A}$	$V_{LCD} - 0.9$			V
	$V_{OH2}$	COM1 to COM3; $I_O = -100$ $\mu\text{A}$	$V_{LCD} - 0.9$			V
	$V_{OH3}$	P1 to P8; $I_O = -1$ mA	$V_{LCD} - 0.9$			V
Output low-level voltage	$V_{OL1}$	S1 to S35; $I_O = 20$ $\mu\text{A}$			0.9	V
	$V_{OL2}$	COM1 to COM3; $I_O = 100$ $\mu\text{A}$			0.9	V
	$V_{OL3}$	P1 to P8; $I_O = 1$ mA			0.9	V
Output middle-level voltage*1	$V_{MID1}$	COM1 to COM3; 1/2 bias, $I_O = \pm 100$ $\mu\text{A}$	$1/2 V_{LCD} - 0.9$		$1/2 V_{LCD} + 0.9$	V
	$V_{MID2}$	S1 to S35; 1/3 bias, $I_O = \pm 20$ $\mu\text{A}$	$2/3 V_{LCD} - 0.9$		$2/3 V_{LCD} + 0.9$	V
	$V_{MID3}$	S1 to S35; 1/3 bias, $I_O = \pm 20$ $\mu\text{A}$	$1/3 V_{LCD} - 0.9$		$1/3 V_{LCD} + 0.9$	V
	$V_{MID4}$	COM1 to COM3; 1/3 bias, $I_O = \pm 100$ $\mu\text{A}$	$2/3 V_{LCD} - 0.9$		$2/3 V_{LCD} + 0.9$	V
	$V_{MID5}$	COM1 to COM3; 1/3 bias, $I_O = \pm 100$ $\mu\text{A}$	$1/3 V_{LCD} - 0.9$		$1/3 V_{LCD} + 0.9$	V
Oscillator frequency	$f_{OSC}$	OSC; $R_{OSC} = 39$ k $\Omega$ $C_{OSC} = 1000$ pF	30.4	38	45.6	kHz
Current drain	$I_{DD1}$	$V_{DD}$ : power saving mode			5	$\mu\text{A}$
	$I_{DD2}$	$V_{DD}$ : $V_{DD} = 6.0$ V, output open, $f_{osc} = 38$ kHz		250	500	$\mu\text{A}$
	$I_{LCD1}$	$V_{LCD}$ : power saving mode			5	$\mu\text{A}$
	$I_{LCD2}$	$V_{LCD}$ : $V_{LCD} = 6.0$ V, output open 1/2 bias, $f_{osc} = 38$ kHz		100	200	$\mu\text{A}$
	$I_{LCD3}$	$V_{LCD}$ : $V_{LCD} = 6.0$ V, output open 1/3 bias, $f_{osc} = 38$ kHz		60	120	$\mu\text{A}$

Note: \*1 Excluding the bias voltage generation divider resistors built in the  $V_{LCD1}$  and  $V_{LCD2}$ . (See Figure 1.)

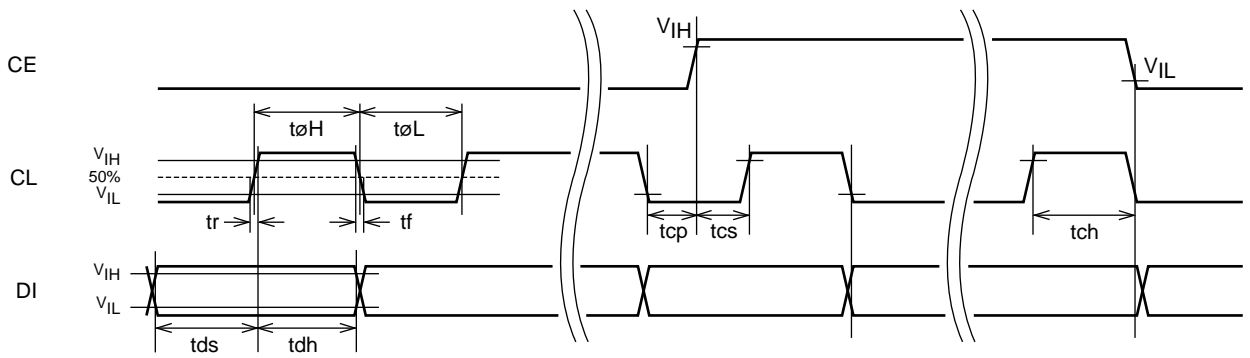
The LC75833JE does not have the S12, S23, S24, S35 output pins.



A06550

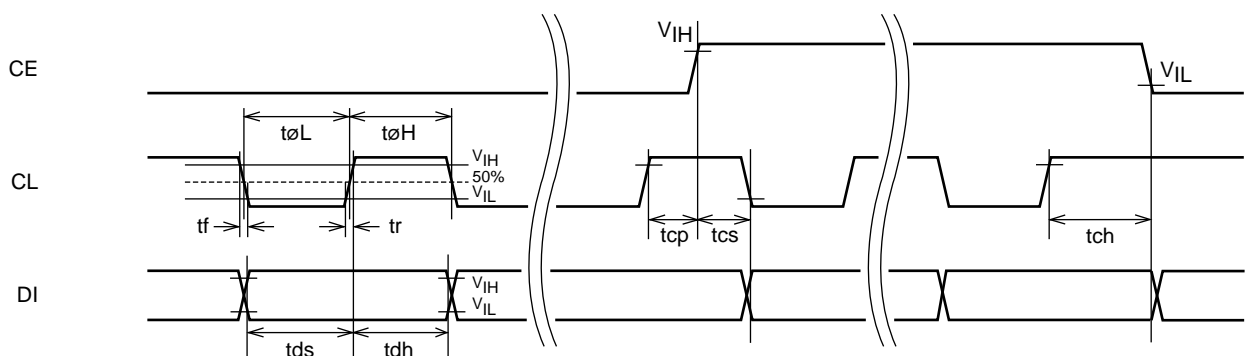
Figure 1

1. When CL is stopped at the low level



A06551

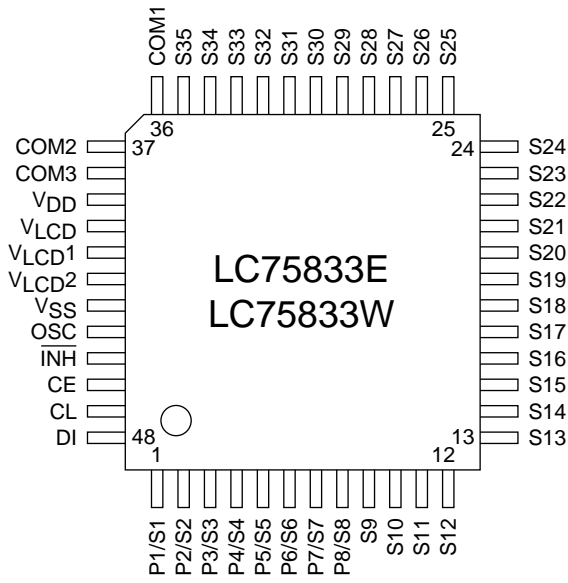
2. When CL is stopped at the high level



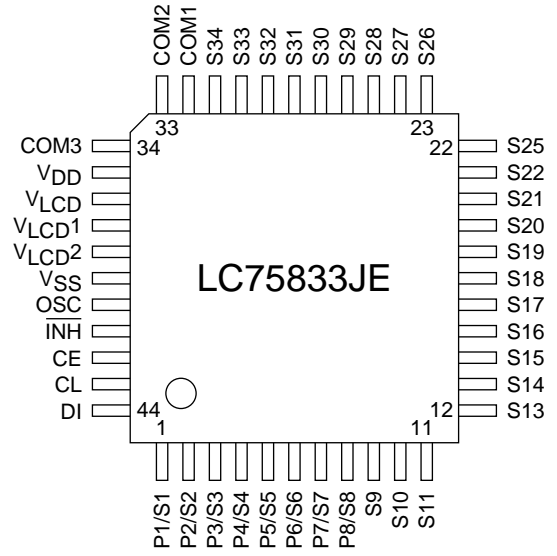
A06552

Figure 2

Pin Assignments

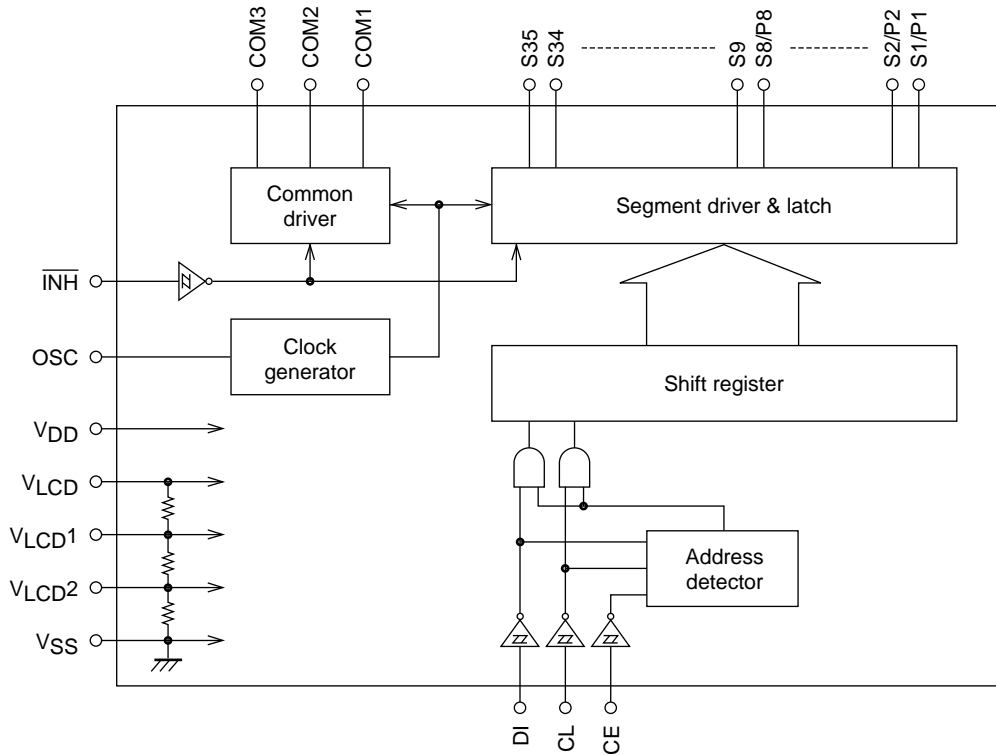


A06549



A06582

Block Diagram



A06553

Note: The LC75833JE does not have the S12, S23, S24, S35 output pins.

## LC75833E, 75833W, 75833JE

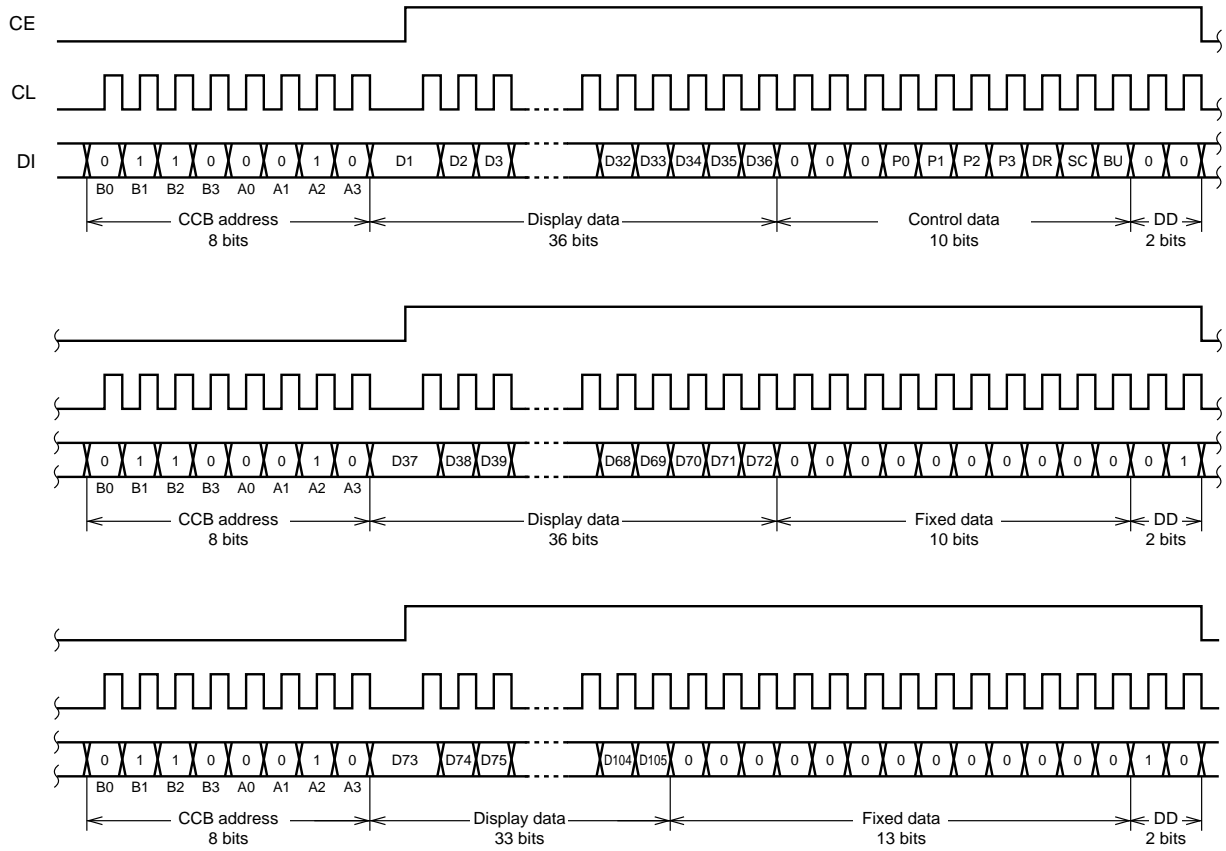
### Pin Functions

Pin	Pin No.		Functions	Active	I/O	Handling when unused
	LC75833E, 75833W	LC75833JE				
S1/P1 to S8/P8 S9 to S35	1 to 8 9 to 35	1 to 8 9 to 31	Segment outputs for displaying the display data transferred by serial data input. The pins S1/P1 to S8/P8 can be used as general-purpose output ports when so set up by the control data.	—	O	Open
COM1 COM2 COM3	36 37 38	32 33 34	Common driver outputs. The frame frequency $f_O$ is given by: $f_O = (f_{OSC}/384)$ Hz.	—	O	Open
OSC	44	40	Oscillator connection An oscillator circuit is formed by connecting an external resistor and capacitor to this pin.	—	I/O	$V_{DD}$
CE CL DI	46 47 48	42 43 44	Serial data transfer inputs. These pins are connected to the control microprocessor.	CE: Chip enable CL: Synchronization clock DI: Transfer data	H I —	GND
$\overline{INH}$	45	41	Display off control input • $\overline{INH}$ = low ( $V_{SS}$ ): Off S1/P1 to S8/P8 = Low (These pins are forcibly set to the segment output port function and fixed at the $V_{SS}$ level.) S9 to S35 = Low ( $V_{SS}$ ). COM1 to COM3 = Low ( $V_{SS}$ ) • $\overline{INH}$ = high ( $V_{DD}$ ): On Note that serial data transfers can be performed when the display is forced off by this pin.	L	I	GND
$V_{LCD1}$	41	37	Used to apply the LCD drive 2/3-bias voltage externally. This pin must be connected to $V_{LCD2}$ when 1/2-bias drive is used.	—	I	Open
$V_{LCD2}$	42	38	Used to apply the LCD drive 1/3-bias voltage externally. This pin must be connected to $V_{LCD1}$ when 1/2-bias drive is used.	—	I	Open
$V_{DD}$	39	35	Logic block power supply. Provide a voltage in the range 2.7 to 6.0 V.	—	—	—
$V_{LCD}$	40	36	LCD driver block power supply. Provide a voltage in the range 2.7 to 6.0 V.	—	—	—
$V_{SS}$	43	39	Ground pin. Connect to ground.	—	—	—

Note: The LC75833JE does not have the S12, S23, S24, S35 output pins.

### Serial Data Transfer Format

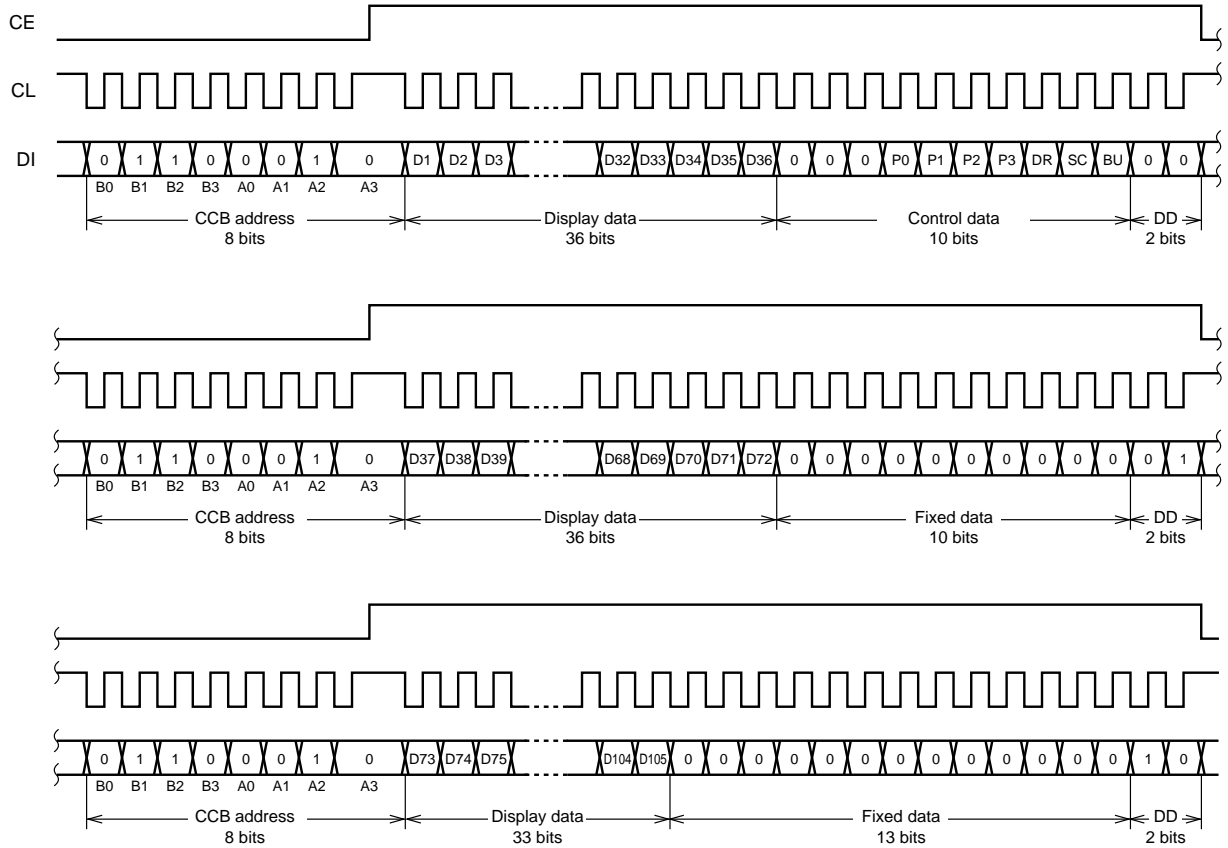
1. When CL is stopped at the low level



A06554

Note: DD ... Direction data

2. When CL is stopped at the high level



A06555

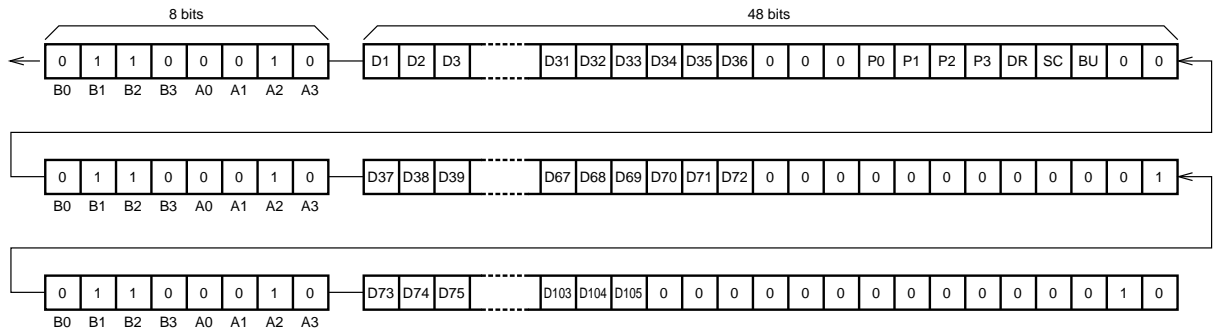
Note: DD ... Direction data

- CCB address.....46H
- D1 to D105.....Display data (At the LC75833JE, the display data D34 to D36, D67 to D72, D103 to D105 must be set to 0.
- P0 to P3 .....Segment output port/general-purpose output port switching control data
- DR .....1/2-bias drive or 1/3-bias drive switching control data
- SC.....Segments on/off control data
- BU .....Normal mode/power-saving mode control data



### Serial Data Transfer Examples

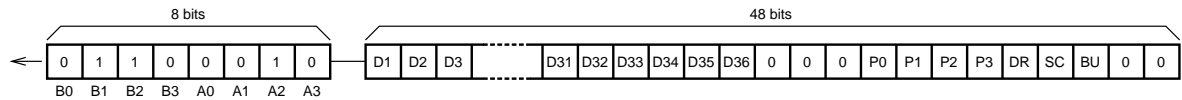
- At the LC75833E and LC75833W when 73 or more segments are used, at the LC75833JE when 64 or more segments are used. 144 bits of serial data must be sent.



A06556

Note: At the LC75833JE, the display data D34 to D36, D67 to D72, D103 to D105 must be set to 0.

- At the LC75833E and LC75833W when used with less than 73 segments, at the LC75833JE when used with less than 64 segments. Transfer either 48 bits or 96 bits of serial data depending on the number of segments used. However, the serial data shown in the figure below (the display data D1 to D36 and the control data) must be sent.



A06557

Note: At the LC75833JE, the display data D34 to D36 must be set to 0.

### Control Data Functions

- P0 to P3: Segment output port/general-purpose output port switching control data. These control data bits switch the S1/P1 to S8/P8 output pins between their segment output port and general-purpose output port functions.

Control data				Output pin states							
P0	P1	P2	P3	S1/P1	S2/P2	S3/P3	S4/P4	S5/P5	S6/P6	S7/P7	S8/P8
0	0	0	0	S1	S2	S3	S4	S5	S6	S7	S8
0	0	0	1	P1	S2	S3	S4	S5	S6	S7	S8
0	0	1	0	P1	P2	S3	S4	S5	S6	S7	S8
0	0	1	1	P1	P2	P3	S4	S5	S6	S7	S8
0	1	0	0	P1	P2	P3	P4	S5	S6	S7	S8
0	1	0	1	P1	P2	P3	P4	P5	S6	S7	S8
0	1	1	0	P1	P2	P3	P4	P5	P6	S7	S8
0	1	1	1	P1	P2	P3	P4	P5	P6	P7	S8
1	0	0	0	P1	P2	P3	P4	P5	P6	P7	P8

Note: Sn (n = 1 to 8): Segment output ports  
Pn (n = 1 to 8): General-purpose output ports

Also note that when the general-purpose output port function is selected, the output pins and the display data will have the correspondences listed in the tables below.

Output pin	Corresponding display data
S1/P1	D1
S2/P2	D4
S3/P3	D7
S4/P4	D10

Output pin	Corresponding display data
S5/P5	D13
S6/P6	D16
S7/P7	D19
S8/P8	D22

For example, if the output pin S4/P4 has the general-purpose output port function selected, it will output a high level ( $V_{LCD}$ ) when the display data D10 is 1, and will output a low level ( $V_{SS}$ ) when D10 is 0.

2. DR: 1/2-bias drive or 1/3-bias drive switching control data  
This control data bit selects either 1/2-bias drive or 1/3-bias drive.

DR	Drive type
0	1/3-bias drive
1	1/2-bias drive

3. SC: Segments on/off control data  
This control data bit controls the on/off state of the segments.

SC	Display state
0	On
1	Off

However, note that when the segments are turned off by setting SC to 1, the segments are turned off by outputting segment off waveforms from the segment output pins.

4. BU: Normal mode/power-saving mode control data  
This control data bit selects either normal mode or power-saving mode.

BU	Mode
0	Normal mode
1	Power saving mode (The OSC pin oscillator is stopped, and the common and segment output pins go to the VSS level. However, the S1/P1 to S8/P8 output pins that are set to be general-purpose output ports by the control data P0 to P3 can be used as general-purpose output ports.)

## Display Data to Segment Output Pin Correspondence

Segment output pin	COM1	COM2	COM3
S1/P1	D1	D2	D3
S2/P2	D4	D5	D6
S3/P3	D7	D8	D9
S4/P4	D10	D11	D12
S5/P5	D13	D14	D15
S6/P6	D16	D17	D18
S7/P7	D19	D20	D21
S8/P8	D22	D23	D24
S9	D25	D26	D27
S10	D28	D29	D30
S11	D31	D32	D33
S12	D34	D35	D36
S13	D37	D38	D39
S14	D40	D41	D42
S15	D43	D44	D45
S16	D46	D47	D48
S17	D49	D50	D51
S18	D52	D53	D54

Segment output pin	COM1	COM2	COM3
S19	D55	D56	D57
S20	D58	D59	D60
S21	D61	D62	D63
S22	D64	D65	D66
S23	D67	D68	D69
S24	D70	D71	D72
S25	D73	D74	D75
S26	D76	D77	D78
S27	D79	D80	D81
S28	D82	D83	D84
S29	D85	D86	D87
S30	D88	D89	D90
S31	D91	D92	D93
S32	D94	D95	D96
S33	D97	D98	D99
S34	D100	D101	D102
S35	D103	D104	D105

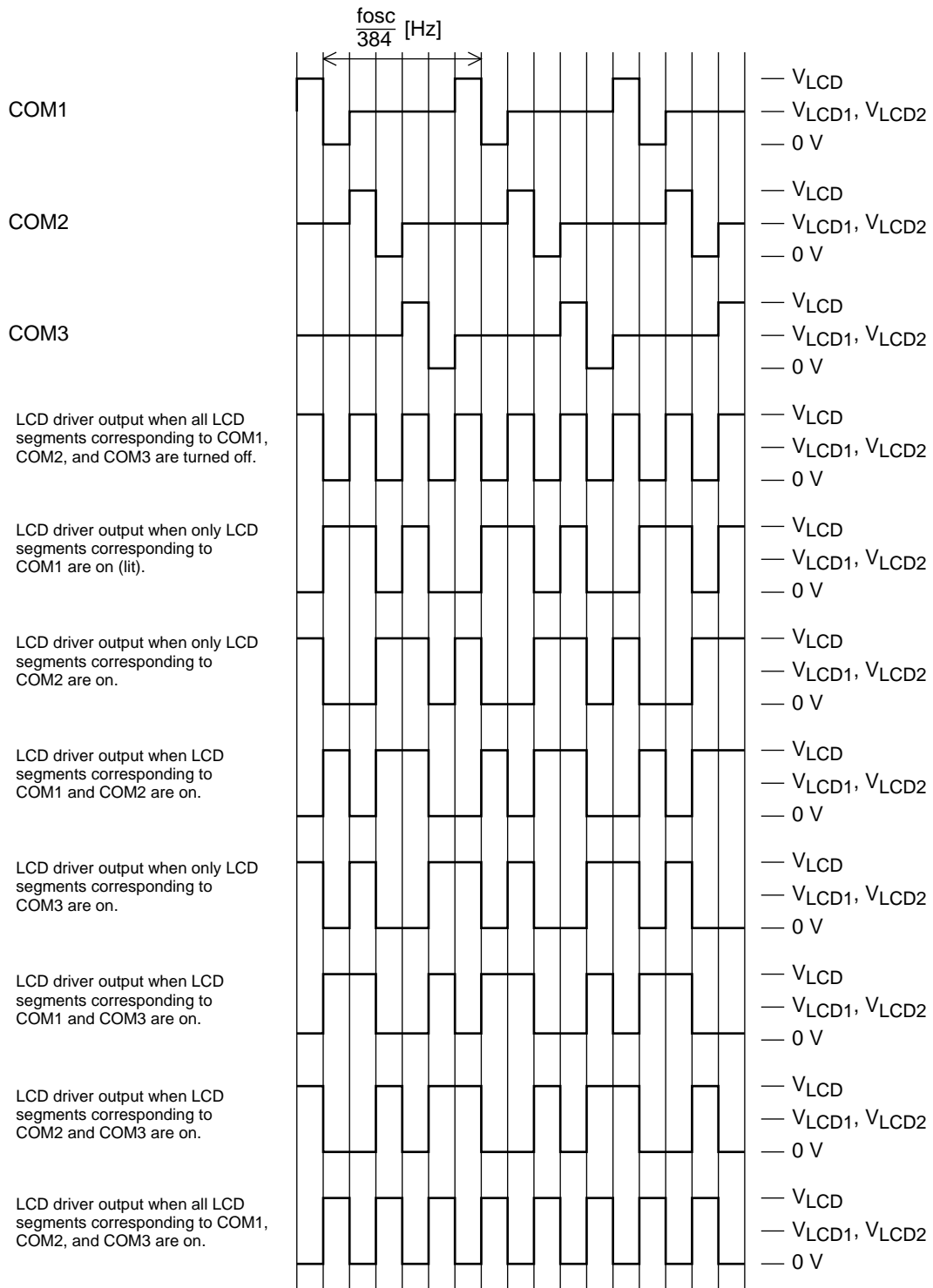
Note: This applies to the case where the S1/P1 to S8/P8 output pins are set to be segment output ports.

The LC75833JE do not have the S12, S23, S24, S35 output pins.

For example, the table below lists the segment output states for the S11 output pin.

Display data			Segment output pin (S11) state
D31	D32	D33	
0	0	0	The LCD segments corresponding to COM1 to COM3 are off.
0	0	1	The LCD segments corresponding to COM3 is on.
0	1	0	The LCD segments corresponding to COM2 is on.
0	1	1	The LCD segments corresponding to COM2 and COM3 are on.
1	0	0	The LCD segments corresponding to COM1 is on.
1	0	1	The LCD segments corresponding to COM1 and COM3 are on.
1	1	0	The LCD segments corresponding to COM1 and COM2 are on.
1	1	1	The LCD segments corresponding to COM1 to COM3 are on.

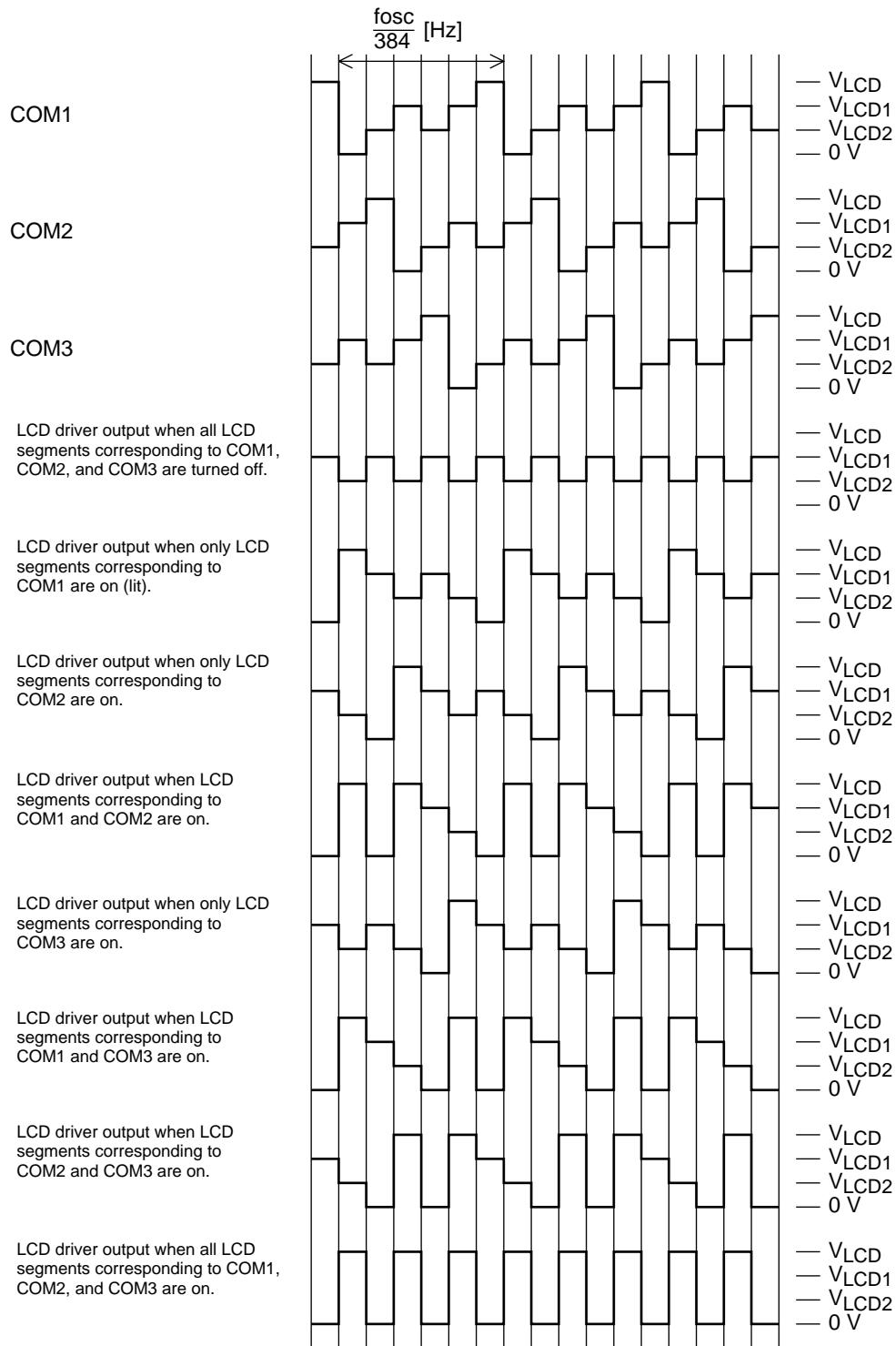
1/3-Duty 1/2-Bias Drive Technique



A06558

1/3-Duty 1/2-Bias Waveforms

1/3-Duty 1/3-Bias Technique



A06559

1/3-Duty 1/3-Bias Waveforms

## The $\overline{\text{INH}}$ pin and Display Control

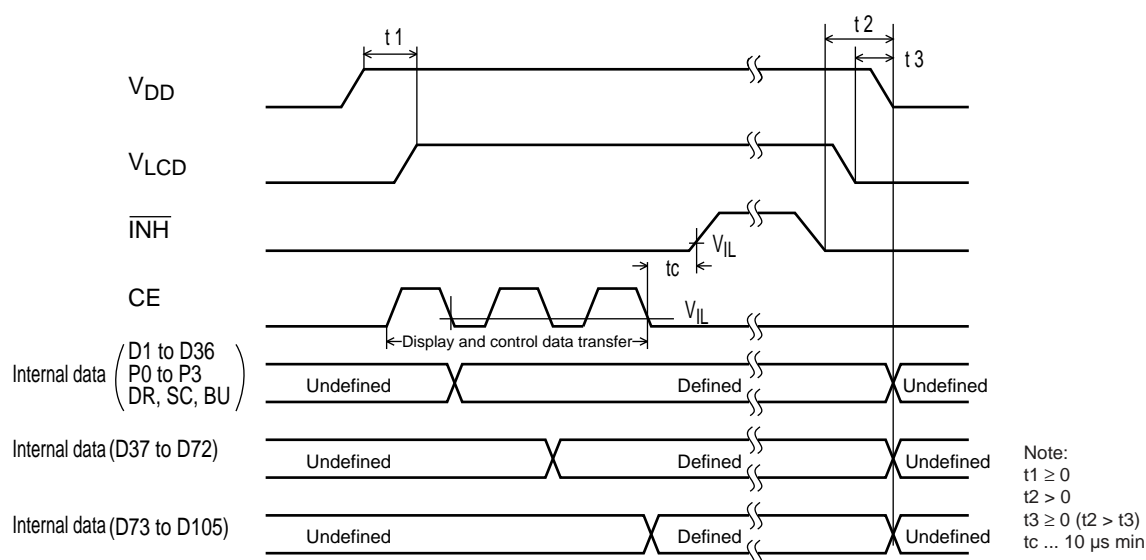
Since the LSI internal data (the display data and the control data) is undefined when power is first applied, applications should set the  $\overline{\text{INH}}$  pin low at the same time as power is applied to turn off the display (LC75833E, LC75833W: This sets the S1/P1 to S8/P8, S9 to S35, and COM1 to COM3 to the  $V_{SS}$  level. LC75833JE: This sets the S1/P1 to S8/P8, S9 to S11, S13 to S22, S25 to S34, and COM1 to COM3 to the  $V_{SS}$  level.) and during this period send serial data from the controller. The controller should then set the  $\overline{\text{INH}}$  pin high after the data transfer has completed. This procedure prevents meaningless displays at power on. (See Figure 3.)

## Notes on the Power On/Off Sequences

Applications should observe the following sequence when turning the LC75833E, LC75833W, and LC75833JE power on and off.

- At power on: Logic block power supply ( $V_{DD}$ ) on → LCD driver block power supply ( $V_{LCD}$ ) on
- At power off: LCD driver block power supply ( $V_{LCD}$ ) off → Logic block power supply ( $V_{DD}$ ) off

However, if the logic and LCD driver block use a shared power supply, then the power supplies can be turned on and off at the same time.



Note: At the LC75833JE, the display data D34 to D36, D67 to D72, D103 to D105 must be set to 0.

A06560

Figure 3

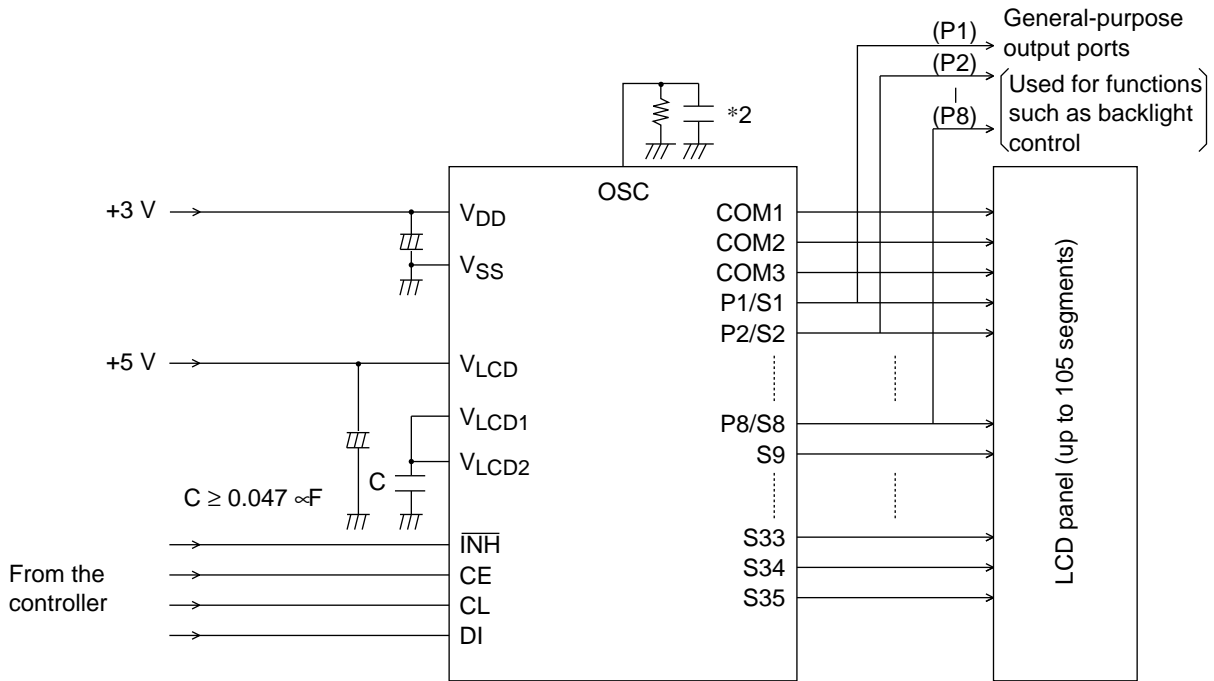
## Notes on Controller Transfer of Display Data

Since the LC75833E, LC75833W, and LC75833JE accept display data divided into three separate transfer operations, we recommend that applications transfer all of the display data within a period of less than 30 ms to prevent observable degradation of display quality.

Sample Application Circuit 1

1/2 Bias (for use with normal size panels)

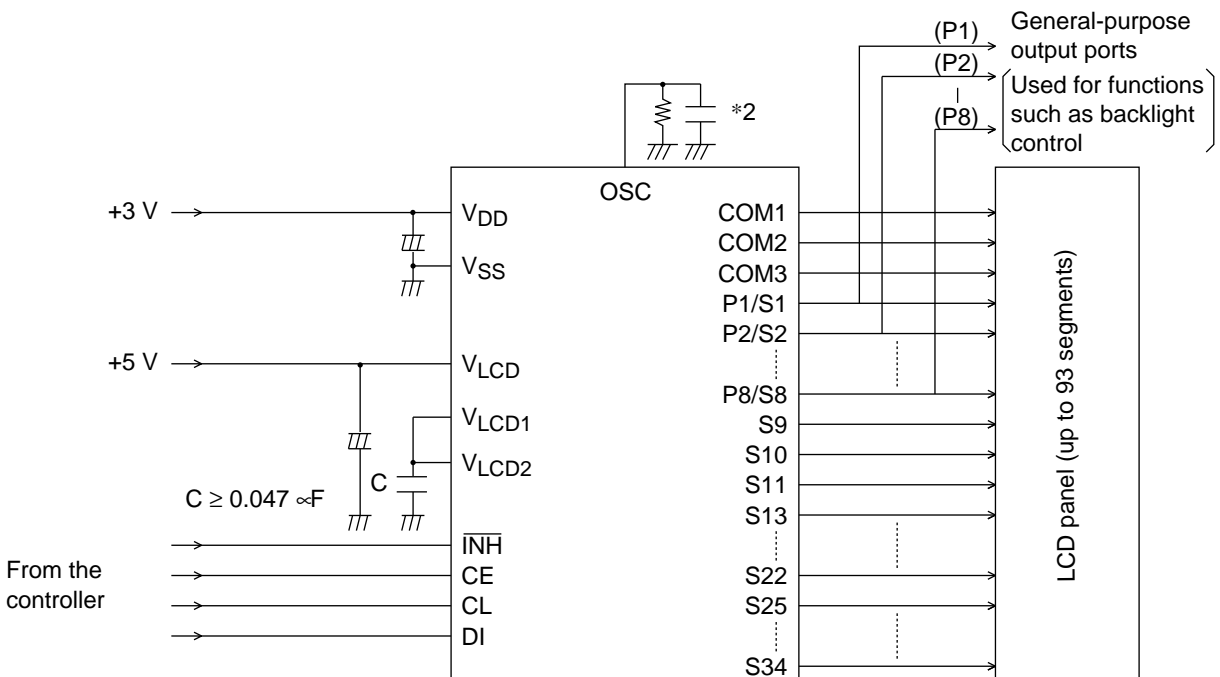
- LC75833E, LC75833W



A06561

Note: \*2 When a capacitor except the recommended external capacitance (C<sub>OSC</sub> = 1000 pF) is connected the OSC pin, we recommend that applications connect the OSC pin with a capacitor in the range 220 to 2200pF.

- LC75833JE



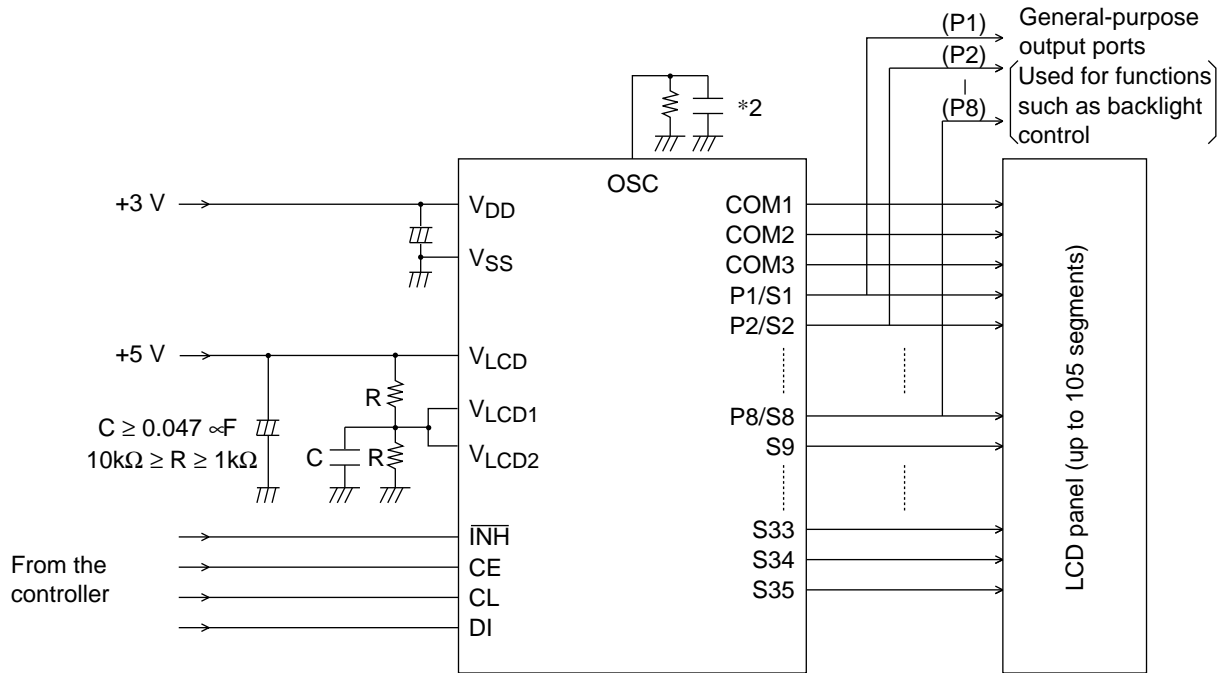
A06583

Note: \*2 When a capacitor except the recommended external capacitance (C<sub>OSC</sub> = 1000 pF) is connected the OSC pin, we recommend that applications connect the OSC pin with a capacitor in the range 220 to 2200pF.

### Sample Application Circuit 2

1/2 Bias (for use with large panels)

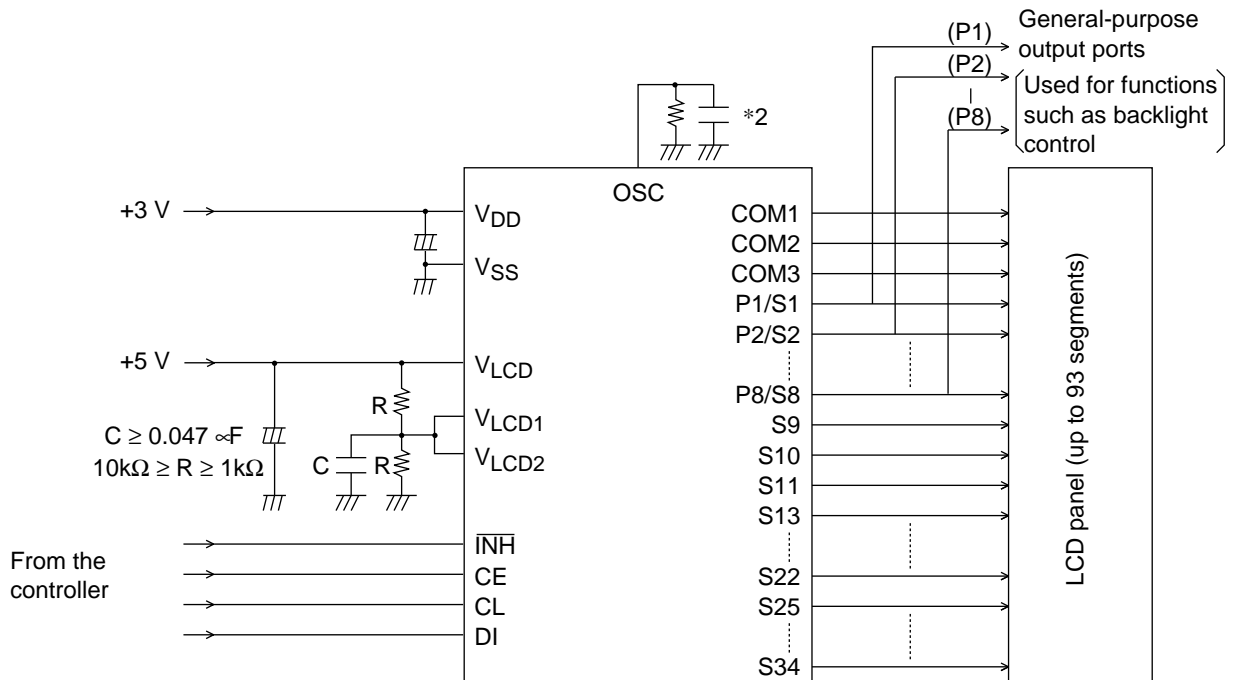
- LC75833E, LC75833W



A06562

Note: \*2 When a capacitor except the recommended external capacitance ( $C_{OSC} = 1000 \text{ pF}$ ) is connected the OSC pin, we recommend that applications connect the OSC pin with a capacitor in the range 220 to 2200pF.

- LC75833JE



A06584

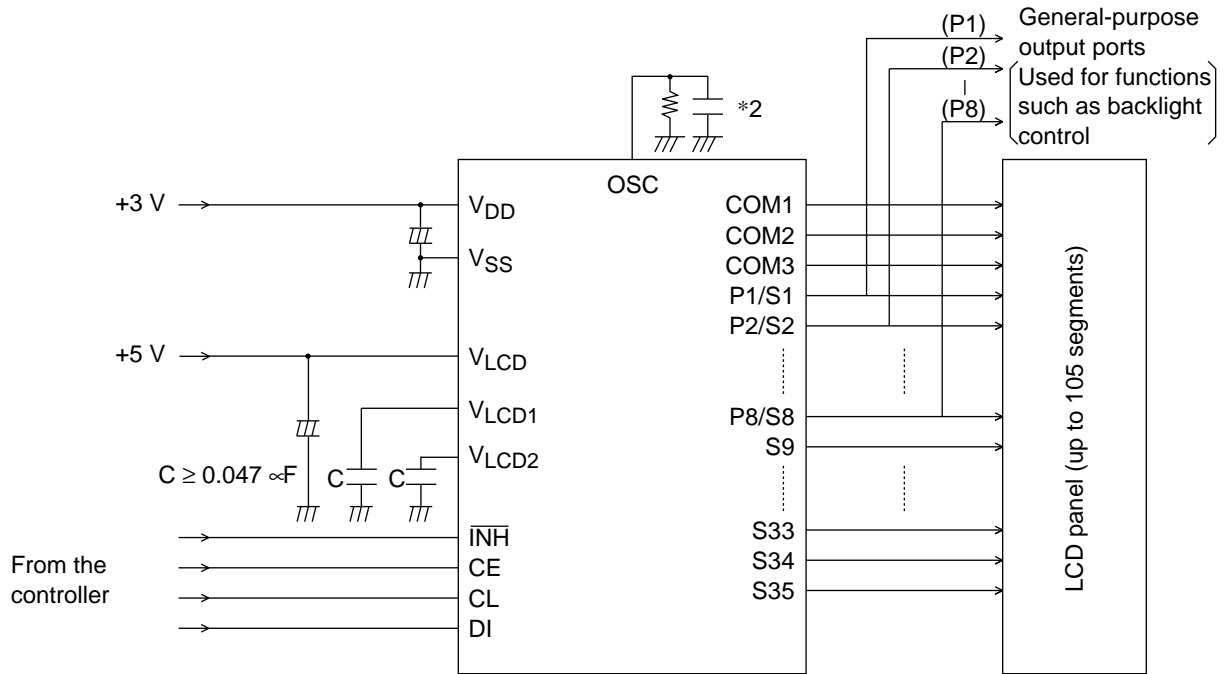
Note: \*2 When a capacitor except the recommended external capacitance ( $C_{OSC} = 1000 \text{ pF}$ ) is connected the OSC pin, we recommend that applications connect the OSC pin with a capacitor in the range 220 to 2200pF.



### Sample Application Circuit 3

1/3 Bias (for use with normal size panels)

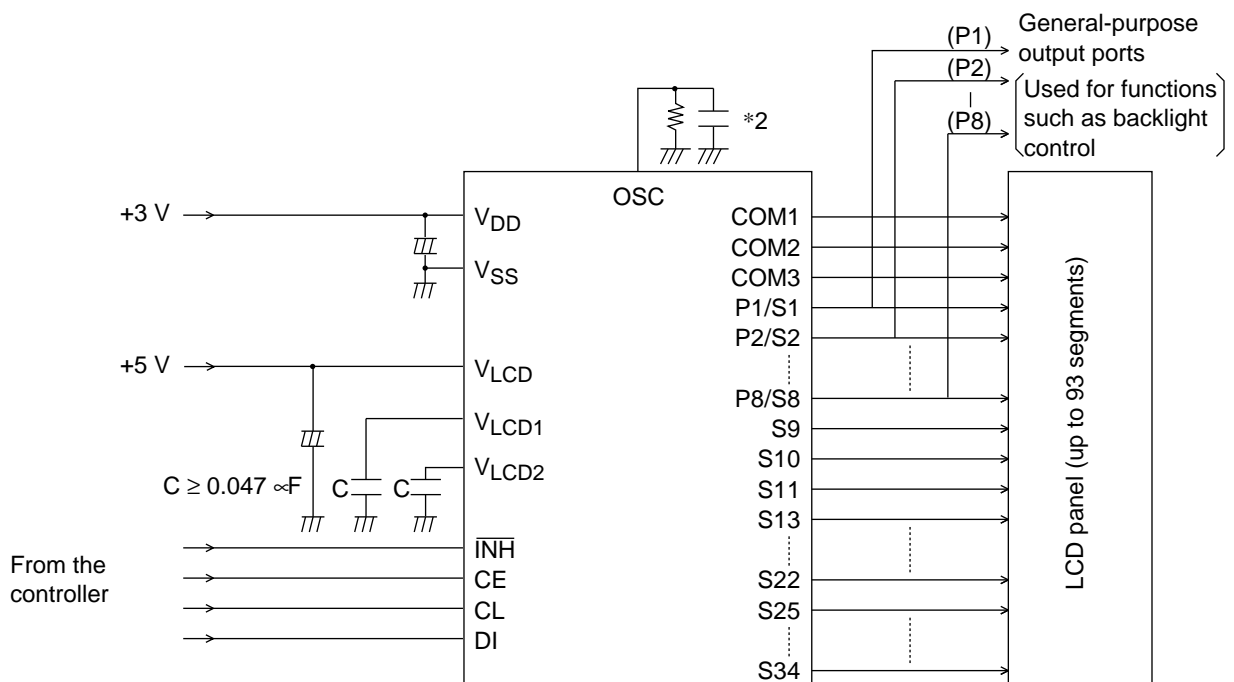
- LC75833E, LC75833W



A06562

Note: \*2 When a capacitor except the recommended external capacitance ( $C_{OSC} = 1000 \text{ pF}$ ) is connected the OSC pin, we recommend that applications connect the OSC pin with a capacitor in the range 220 to 2200pF.

- LC75833JE



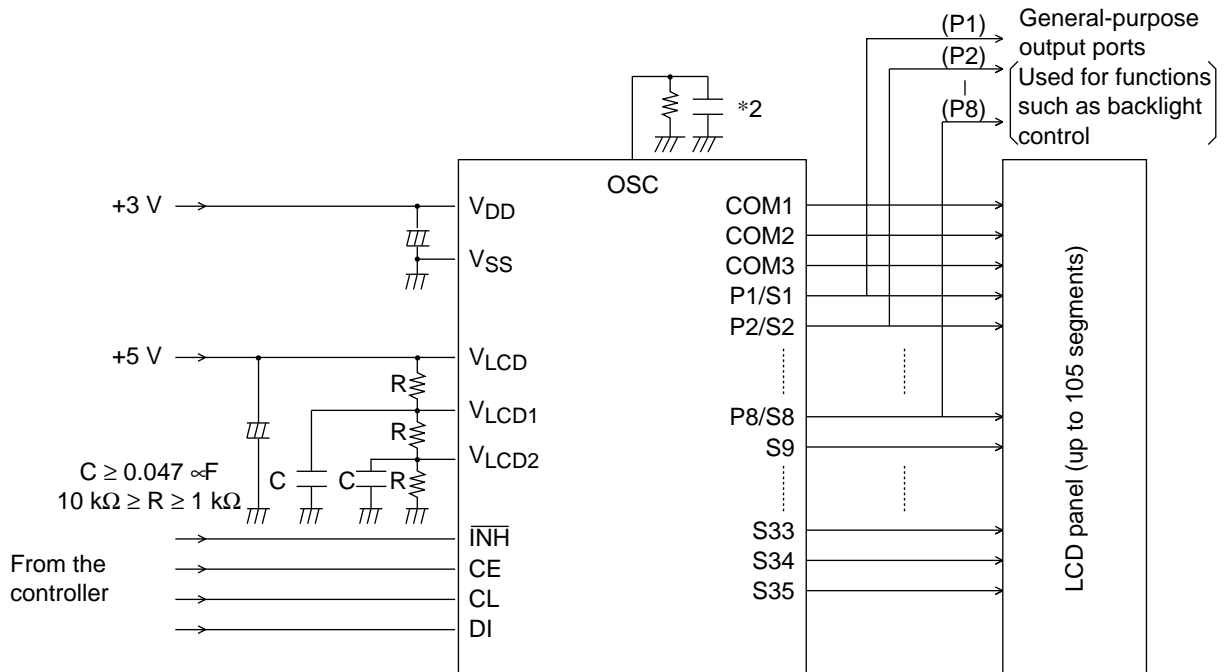
A06584

Note: \*2 When a capacitor except the recommended external capacitance ( $C_{OSC} = 1000 \text{ pF}$ ) is connected the OSC pin, we recommend that applications connect the OSC pin with a capacitor in the range 220 to 2200pF.

### Sample Application Circuit 4

1/3 Bias (for use with large panels)

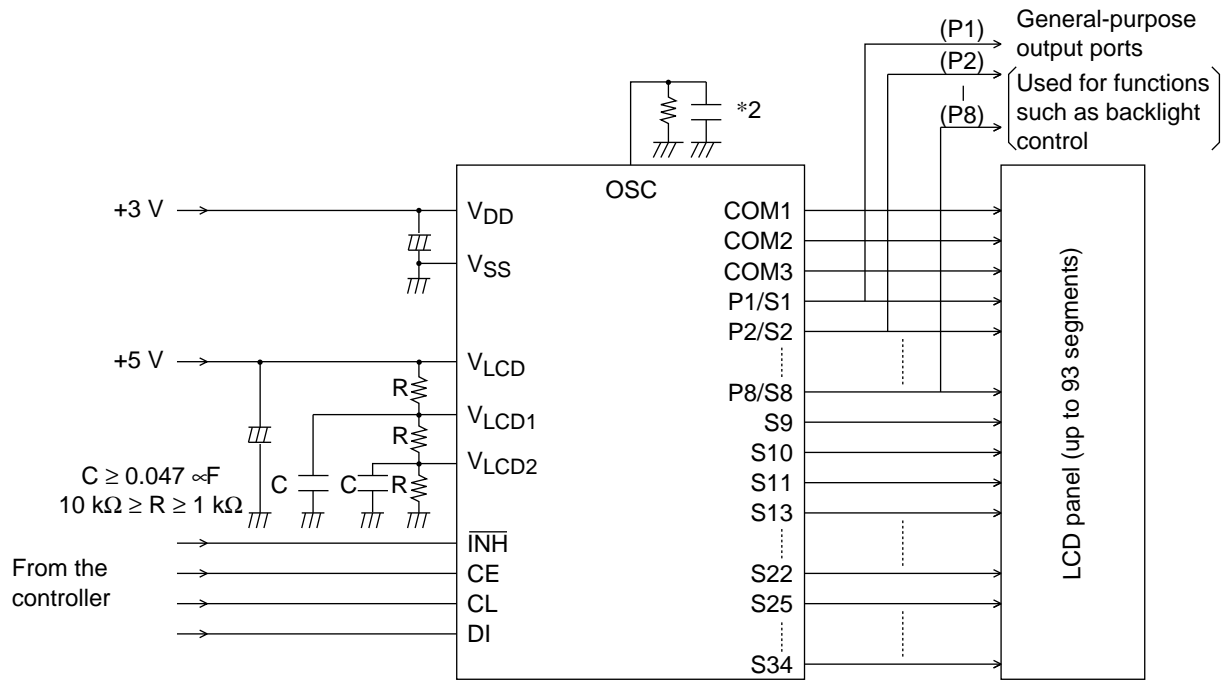
- LC75833E, LC75833W



A06563

Note: \*2 When a capacitor except the recommended external capacitance ( $C_{OSC} = 1000 \text{ pF}$ ) is connected the OSC pin, we recommend that applications connect the OSC pin with a capacitor in the range 220 to 2200pF.

• LC75833JE



A06585

Note: \*2 When a capacitor except the recommended external capacitance ( $C_{OSC} = 1000 \text{ pF}$ ) is connected the OSC pin, we recommend that applications connect the OSC pin with a capacitor in the range 220 to 2200pF.

# LC75833E, LC75833W, LC75833JE

## PACKAGE DIMENSIONS

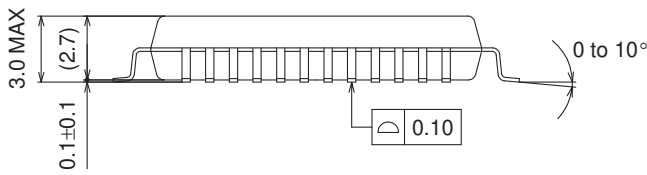
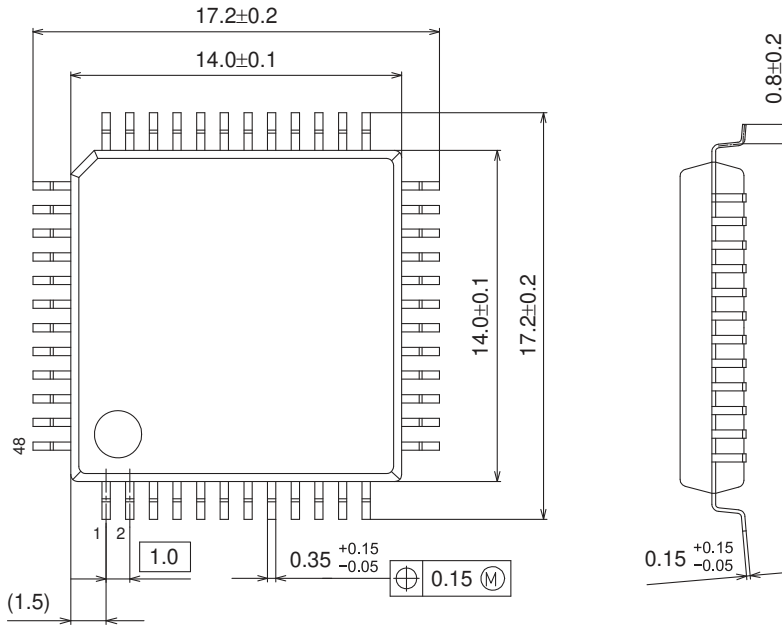
unit : mm

[LC75833E]

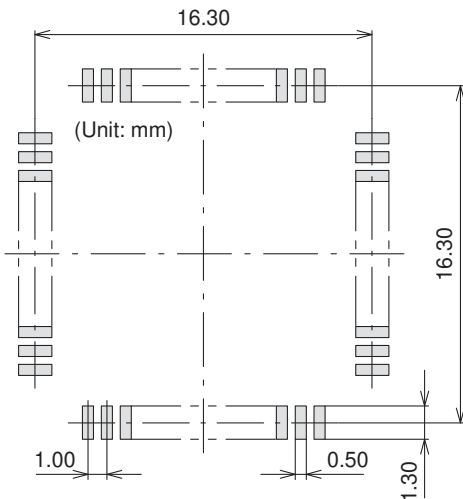
PQFP48 14x14 / QIP48E

CASE 122BL

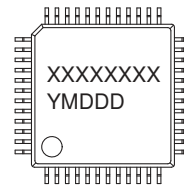
ISSUE A



### SOLDERING FOOTPRINT\*



### GENERIC MARKING DIAGRAM\*



XXXXXX = Specific Device Code

Y = Year

M = Month

DDD = Additional Traceability Data

\*This information is generic. Please refer to device data sheet for actual part marking. Pb-Free indicator, "G" or microdot "•", may or may not be present.

NOTE: The measurements are not to guarantee but for reference only.

\*For additional information on our Pb-Free strategy and soldering details, please download the ON Semiconductor Soldering and Mounting Techniques Reference Manual, SOLDERRM/D.

# LC75833E, LC75833W, LC75833JE

## PACKAGE DIMENSIONS

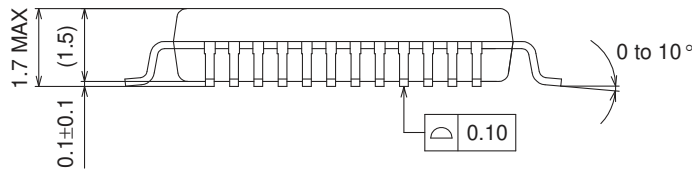
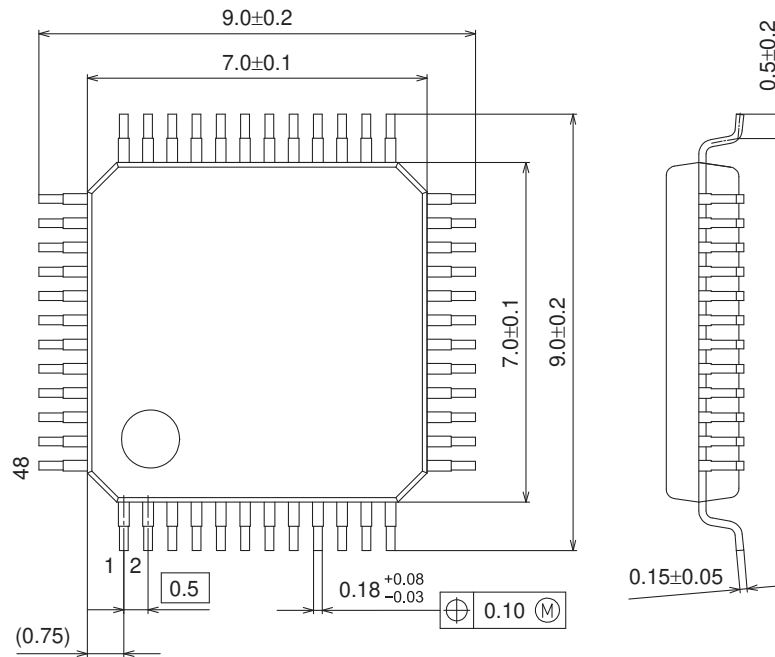
unit : mm

[LC75833W]

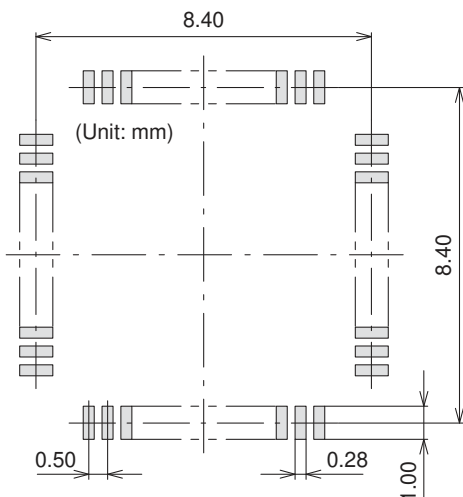
SPQFP48 7x7 / SQFP48

CASE 131AJ

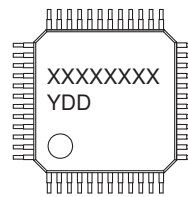
ISSUE A



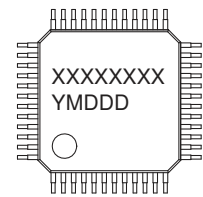
### SOLDERING FOOTPRINT\*



### GENERIC MARKING DIAGRAM\*



XXXXX = Specific Device Code  
Y = Year  
DD = Additional Traceability Data



XXXXX = Specific Device Code  
Y = Year  
M = Month  
DDD = Additional Traceability Data

\*This information is generic. Please refer to device data sheet for actual part marking. Pb-Free indicator, "G" or microdot "▪", may or may not be present.

NOTE: The measurements are not to guarantee but for reference only.

\*For additional information on our Pb-Free strategy and soldering details, please download the ON Semiconductor Soldering and Mounting Techniques Reference Manual, SOLDERRM/D.

# LC75833E, LC75833W, LC75833JE

## PACKAGE DIMENSIONS

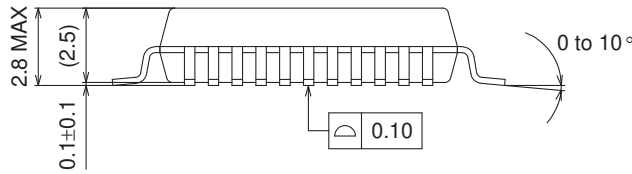
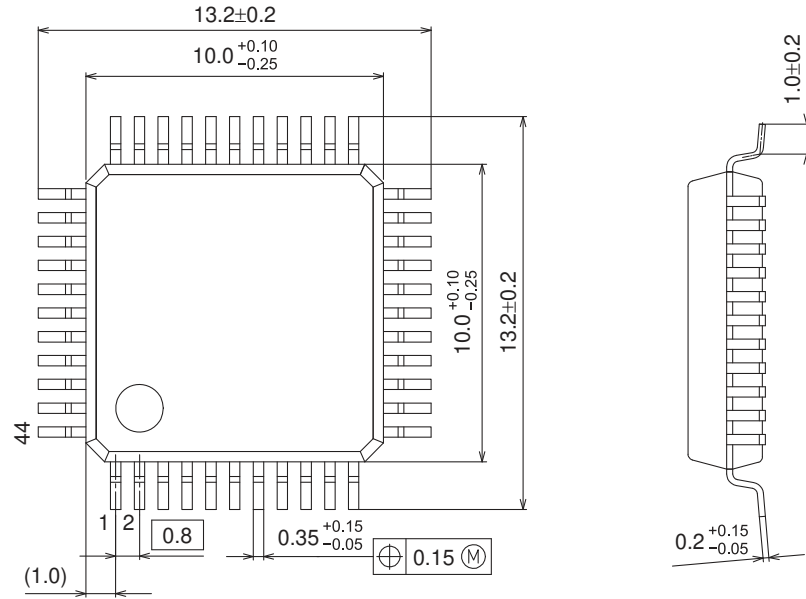
unit : mm

[LC75833JE]

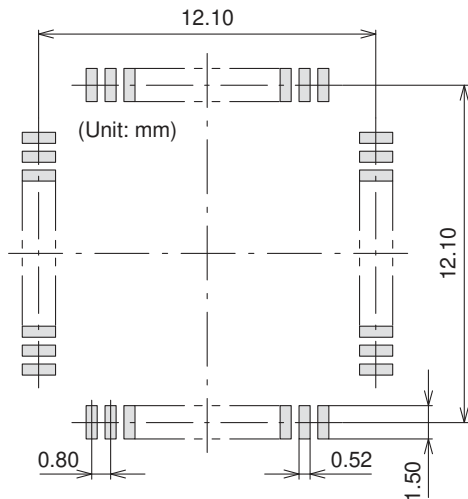
PQFP44 10x10 / QIP44M

CASE 122BK

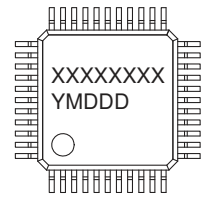
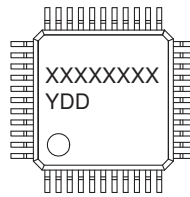
ISSUE A



### SOLDERING FOOTPRINT\*



### GENERIC MARKING DIAGRAM\*



XXXXXX = Specific Device Code  
 Y = Year  
 DD = Additional Traceability Data

XXXXXX = Specific Device Code  
 Y = Year  
 M = Month  
 DDD = Additional Traceability Data

\*This information is generic. Please refer to device data sheet for actual part marking. Pb-Free indicator, "G" or microdot "■", may or may not be present.

NOTE: The measurements are not to guarantee but for reference only.

\*For additional information on our Pb-Free strategy and soldering details, please download the ON Semiconductor Soldering and Mounting Techniques Reference Manual, SOLDERRM/D.

## LC75833E, LC75833W, LC75833JE

### ORDERING INFORMATION

Device	Package	Shipping (Qty / Packing)
LC75833E-E	PQFP48 14x14 / QIP48E (Pb-Free)	300 / Tray Foam
LC75833EHS-E	PQFP48 14x14 / QIP48E (Pb-Free)	300 / Tray Foam
LC75833W-E	SQFP48 7x7 / SQFP48 (Pb-Free)	1250 / Tray JEDEC
LC75833W-TBM-E	SQFP48 7x7 / SQFP48 (Pb-Free)	1000 / Tape & Reel
LC75833WHS-E	SQFP48 7x7 / SQFP48 (Pb-Free)	1250 / Tray JEDEC
LC75833JE-E	PQFP44 10x10 / QIP44M (Pb-Free)	500 / Tray Foam

† For information on tape and reel specifications, including part orientation and tape sizes, please refer to our Tape and Reel Packaging Specifications Brochure, BRD8011/D. [http://www.onsemi.com/pub\\_link/Collateral/BRD8011-D.PDF](http://www.onsemi.com/pub_link/Collateral/BRD8011-D.PDF)

ON Semiconductor and the ON Semiconductor logo are trademarks of Semiconductor Components Industries, LLC dba ON Semiconductor or its subsidiaries in the United States and/or other countries. ON Semiconductor owns the rights to a number of patents, trademarks, copyrights, trade secrets, and other intellectual property. A listing of ON Semiconductor's product/patent coverage may be accessed at [www.onsemi.com/site/pdf/Patent-Marking.pdf](http://www.onsemi.com/site/pdf/Patent-Marking.pdf). ON Semiconductor reserves the right to make changes without further notice to any products herein. ON Semiconductor makes no warranty, representation or guarantee regarding the suitability of its products for any particular purpose, nor does ON Semiconductor assume any liability arising out of the application or use of any product or circuit, and specifically disclaims any and all liability, including without limitation special, consequential or incidental damages. Buyer is responsible for its products and applications using ON Semiconductor products, including compliance with all laws, regulations and safety requirements or standards, regardless of any support or applications information provided by ON Semiconductor. "Typical" parameters which may be provided in ON Semiconductor data sheets and/or specifications can and do vary in different applications and actual performance may vary over time. All operating parameters, including "Typicals" must be validated for each customer application by customer's technical experts. ON Semiconductor does not convey any license under its patent rights nor the rights of others. ON Semiconductor products are not designed, intended, or authorized for use as a critical component in life support systems or any FDA Class 3 medical devices or medical devices with a same or similar classification in a foreign jurisdiction or any devices intended for implantation in the human body. Should Buyer purchase or use ON Semiconductor products for any such unintended or unauthorized application, Buyer shall indemnify and hold ON Semiconductor and its officers, employees, subsidiaries, affiliates, and distributors harmless against all claims, costs, damages, and expenses, and reasonable attorney fees arising out of, directly or indirectly, any claim of personal injury or death associated with such unintended or unauthorized use, even if such claim alleges that ON Semiconductor was negligent regarding the design or manufacture of the part. ON Semiconductor is an Equal Opportunity/Affirmative Action Employer. This literature is subject to all applicable copyright laws and is not for resale in any manner.