



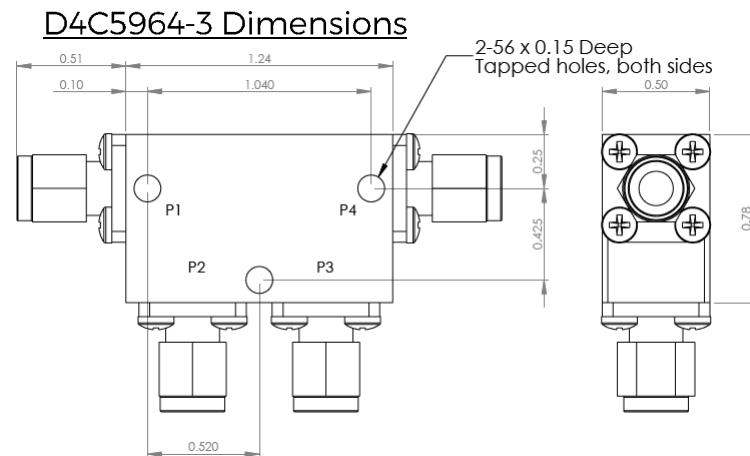
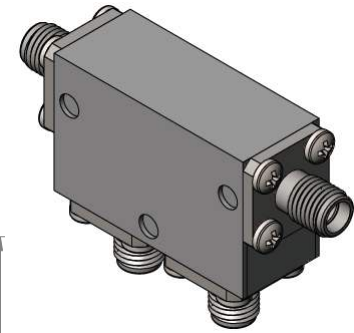
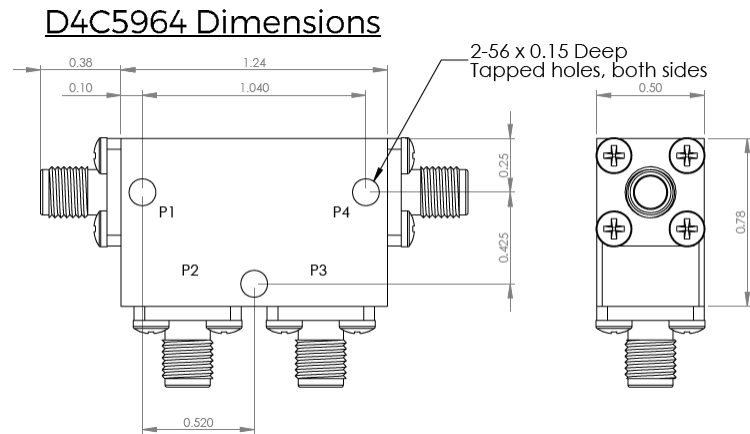
## Part Number: D4C5964

### Electrical Specifications

|                        |                        |
|------------------------|------------------------|
| Frequency Range (GHz): | 5.9 - 6.4              |
| Isolation (dB):        | 23 MIN (per junction)  |
| Insertion Loss (dB):   | 0.2 MAX (per junction) |
| VSWR:                  | 1.15:1 MIN             |
| Forward Power (W):     | 10 AVG<br>20 PK        |

### Mechanical/Environmental Specifications

|                   |                            |
|-------------------|----------------------------|
| Connector Type:   | SMA                        |
| Connector Body:   | Passivated stainless steel |
| Connector Pin:    | Gold plated copper         |
| Load Body:        | Brass                      |
| Magnetic Shunt:   | Nickel plated CRS          |
| Operational Temp: | -30°C to +65°C             |
| Weight (oz)       | 2.0 MAX                    |



Dimensions are in inches  
Tolerance  
XX ±0.03  
XXX ±0.010

| Type of Device   | PN Suffix | Connector Configuration<br>Input / Output | PN Example |
|--|-----------|---|------------|
| Dual Junction Circulator<br>4-Port Device<br>Port 1 / Port 2 / Port 3 / Port 4 | No Dash   | Female / Female / Female / Female         | D4C5964    |
|  | -1        | Male / Female / Female / Female           | D4C5964-1  |
|  | -2        | Female / Male / Female / Female           | D4C5964-2  |
|  | -3        | Male / Male / Male / Male                 | D4C5964-3  |
|  | -4        | Female / Female / Male / Female           | D4C5964-4  |
|  | -5        | Female / Female / Female / Male           | D4C5964-5  |



## MEASURED DATA

Part Number: D4C5964, P4→P1, P2 & P3 Terminated with 50Ω, +25°C

