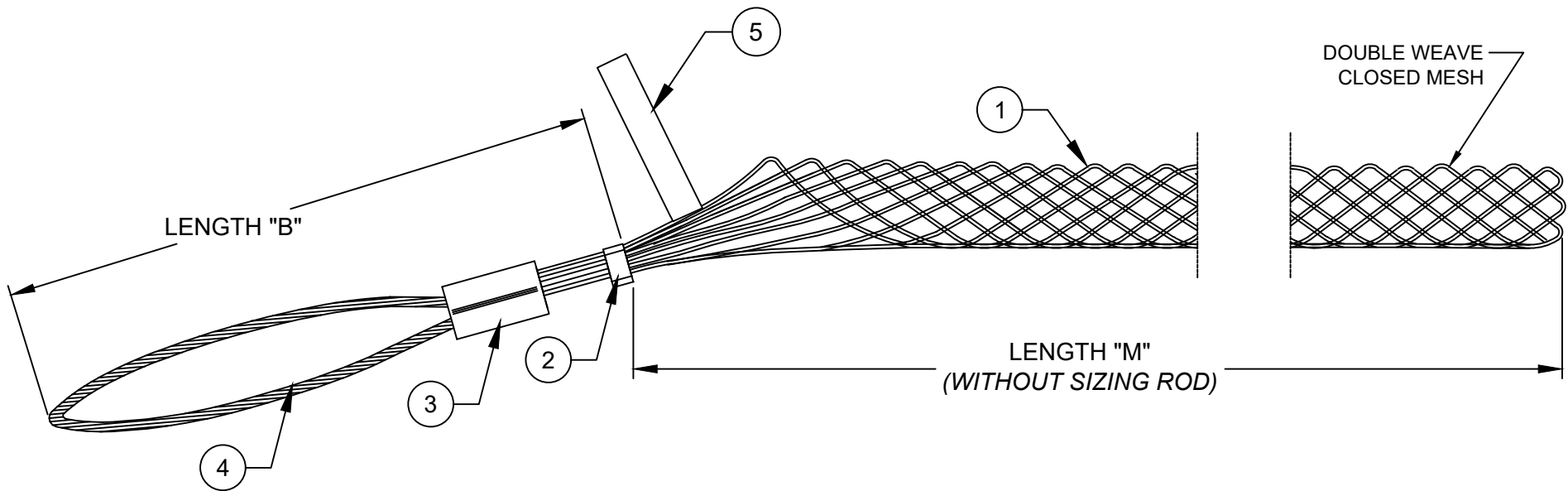


CATALOG NUMBER	MATERIAL NUMBER	CABLE RANGE	LENGTH "M"	LENGTH "B"	BREAK STRENGTH* (LBS/N)	UL LISTED	CSA APPROVED	PRODUCT SELECTION NUMBER
36101	1300950225	.75-.99 / 19.1-25.1	13.00±1.50 / 330.2±38.1	7.00±1.00 / 177.8±25.4	3000 / 13345	NO	YES	SCK075-1
36102	1300950227	1.00-1.24 / 25.4-31.5	16.00±2.00 / 406.4±50.8	8.00±1.00 / 203.2±25.4	4200 / 18683			SCK100-1
36103	1300950229	1.25-1.49 / 31.8-37.8	17.00±2.00 / 431.8±50.8	8.00±1.00 / 203.2±25.4	5500 / 24465			SCK125-1
36104	1300950230	1.50-1.74 / 38.1-44.2	18.00±2.00 / 457.2±50.8	9.00±1.00 / 228.6±25.4	7400 / 32917			SCK150-1
36108	1300950234	3.00-3.49 / 76.2-88.6	22.00±2.50 / 558.8±63.5	12.00±1.00 / 304.8±25.4	16000 / 71172			SCK300-1
36109	1300950235	3.50-3.99 / 88.9-101.3	23.00±2.50 / 584.2±63.5	12.00±1.00 / 304.8±25.4	16000 / 71172			SCK350-1

\* TO DETERMINE RECOMMENDED WORKING LOAD, DIVIDE BREAK STRENGTH BY 5.



ITEM	DESCRIPTION	MATERIAL
1	WIRE MESH	GALVANIZED STEEL
2	CRIMP CONNECTOR	ALUMINUM
3	FERRULE	ALUMINUM
4	BALE WIRE	STAINLESS STEEL
5	LABEL	MYLAR

FUNCTIONAL SYMBOLS	THIS DRAWING CONTAINS INFORMATION THAT IS PROPRIETARY TO MOLEX ELECTRONIC TECHNOLOGIES, LLC AND SHOULD NOT BE USED WITHOUT WRITTEN PERMISSION								
$F_A=0$ $F_C=0$ $F_F=0$	DIMENSION UNITS	SCALE	CURRENT REV DESC: OBSOLETE PART NUMBER AS PER PCN#510808						
	INCH/MM	NTS							
DIVISIONAL SYMBOLS	GENERAL TOLERANCES (UNLESS SPECIFIED)		EC NO: 736640				PULLING GRIPS HEAVY DUTY-SLACK EYE DOUBLE WEAVE CLOSED MESH PRODUCT CUSTOMER DRAWING		
		mm	INCH	DRWN: SUGEEB		2022/12/21			
	4 PLACES	± ----	± ----	CHK'D: LIKITV		2023/02/14			
	3 PLACES	± ----	± 0.005	APPR: GGA		2023/02/16			
	1 PLACE	± 0.13	± 0.01	INITIAL REVISION:					
0 PLACES	± ----	± ----	DRWN: HRUIZ01		2014/09/05	DOCUMENT NUMBER	DOC TYPE	DOC PART	REVISION
	ANGULAR TOL ± 0.5 °		APPR: JFMURPHY		2016/09/12	SD-130095-113	PSD	001	A1
DRAFT WHERE APPLICABLE MUST REMAIN WITHIN DIMENSIONS		THIRD ANGLE PROJECTION	DRAWING	SERIES	MATERIAL NUMBER	CUSTOMER	SHEET NUMBER		
			A-SIZE	130095	SEE TABLE	GENERAL MARKET	1 OF 1		

DOCUMENT STATUS	P1	RELEASE DATE	2023/02/16	05:36:35
-----------------	----	--------------	------------	----------