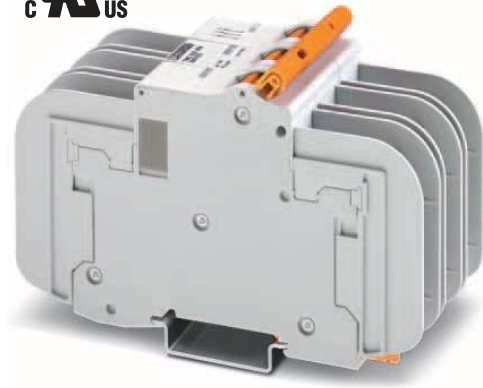


TMC 7... and TMC 8...



Thermal magnetic UL Listed and UL Recognized miniature circuit breakers



Data sheet
3644_en_C

© PHOENIX CONTACT 2018-11-08

1 Description

TMC 8... miniature circuit breakers (MCB) are UL 489 Listed to provide branch overload and short-circuit protection. An interrupt capacity of 10 kAIC at up to 277/480 V AC and 125 V DC makes the TMC 8... ideal for a wide range of applications that require a UL 489 Listed circuit breaker.

TMC 7... miniature circuit breakers are UL 1077 Recognized and provide supplemental overload and short-circuit protection. Short-circuit current ratings range from 5 kAIC to 7.5 kAIC, depending upon the supply voltage.

The circuit breakers are available in 1-, 2-, and 3-pole configurations with B, C, and D trip curve options, making them ideal for a wide range of applications. They are 17.6 mm wide (per pole) and mount on 35 mm NS35 rail. Available accessories include an auxiliary contact, alarm contact, shunt trips, and busbars.

The TMC 7... is UL Recognized for the U.S. and Canada. The TMC 8... is UL Listed for the U.S. and Canada. Both products lines carry the CE mark.

1.1 Typical applications

TMC 7/8... circuit breakers are suitable for protection of

- cables
- motors
- generators and transformers
- thyristors
- silicon rectifiers
- computers and peripheral equipment
- industrial process control systems
- telecommunications equipment
- power supplies

1.2 Features

- TMC 7... is UL 1077 Recognized
- TMC 8... is UL 489 Listed
- 1-, 2-, and 3-pole configurations
- Current ratings of 1 to 63 A
- Available with B, C, and D trip curves
- Visual status indication
- Trip-free, snap-action mechanism cannot be manually overridden in an overload situation
- Full range of bus bars and accessories



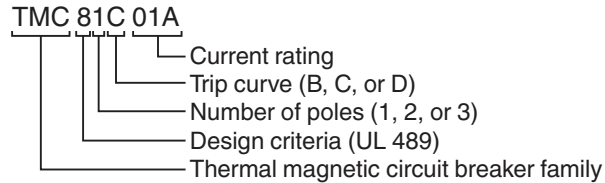
This document is valid for all products listed in the "Ordering data" on page 3.

Table of contents

| | | |
|-----|--|----|
| 1 | Description..... | 1 |
| 1.1 | Typical applications..... | 1 |
| 1.2 | Features..... | 1 |
| 2 | Ordering data..... | 3 |
| 3 | Technical data | 11 |
| 3.1 | Trip curve | 12 |
| 3.2 | Current rating and voltage drop @ 25°C | 12 |
| 3.3 | Dimensions | 13 |
| 3.4 | Environmental influences | 14 |
| 4 | Circuit breaker installation | 14 |
| 4.1 | Mounting | 14 |
| 4.2 | Removal..... | 14 |
| 4.3 | DC connection diagram | 14 |
| 5 | Accessories | 15 |
| 6 | Ordering data for accessories..... | 16 |
| 7 | Technical data for accessories | 17 |
| 7.1 | Technical data for TMC 7/8 AUX and TMC 7/8 ALARM accessories | 17 |
| 7.2 | Technical data for busbars and termination pins | 18 |
| 8 | Accessory descriptions..... | 19 |
| 8.1 | Auxiliary contact (TMC 7/8 AUX)..... | 19 |
| 8.2 | Alarm contact (TMC 7/8 ALARM)..... | 19 |
| 8.3 | Shunt trip (TMC 7/8...SHNT)..... | 20 |
| 9 | TMC 7/8 AUX / TMC 7/8 ALARM / TMC 7/8...SHNT installation | 20 |
| 9.1 | Busbars and related accessories | 21 |

2 Ordering data

Order key



Products

| Description | Type | Order No. | Pcs./Pkt. |
|--|-------------|-----------|-----------|
| MCB, up to 60 V DC and 277 V AC, B curve 1-pole 1 A | TMC 81B 01A | 2907478 | 1 |
| MCB, up to 60 V DC and 277 V AC, B curve 1-pole 2 A | TMC 81B 02A | 2907479 | 1 |
| MCB, up to 60 V DC and 277 V AC, B curve 1-pole 3 A | TMC 81B 03A | 2907480 | 1 |
| MCB, up to 60 V DC and 277 V AC, B curve 1-pole 4 A | TMC 81B 04A | 2907481 | 1 |
| MCB, up to 60 V DC and 277 V AC, B curve 1-pole 5 A | TMC 81B 05A | 2907482 | 1 |
| MCB, up to 60 V DC and 277 V AC, B curve 1-pole 6 A | TMC 81B 06A | 2907483 | 1 |
| MCB, up to 60 V DC and 277 V AC, B curve 1-pole 7 A | TMC 81B 07A | 2907484 | 1 |
| MCB, up to 60 V DC and 277 V AC, B curve 1-pole 8 A | TMC 81B 08A | 2907485 | 1 |
| MCB, up to 60 V DC and 277 V AC, B curve 1-pole 10 A | TMC 81B 10A | 2907487 | 1 |
| MCB, up to 60 V DC and 277 V AC, B curve 1-pole 12 A | TMC 81B 12A | 2907488 | 1 |
| MCB, up to 60 V DC and 277 V AC, B curve 1-pole 13 A | TMC 81B 13A | 2907489 | 1 |
| MCB, up to 60 V DC and 277 V AC, B curve 1-pole 15 A | TMC 81B 15A | 2907490 | 1 |
| MCB, up to 60 V DC and 277 V AC, B curve 1-pole 16 A | TMC 81B 16A | 2907491 | 1 |
| MCB, up to 60 V DC and 277 V AC, B curve 1-pole 20 A | TMC 81B 20A | 2907492 | 1 |
| MCB, up to 60 V DC and 277 V AC, B curve 1-pole 25 A | TMC 81B 25A | 2907493 | 1 |
| MCB, up to 60 V DC and 277 V AC, B curve 1-pole 30 A | TMC 81B 30A | 2907494 | 1 |
| MCB, up to 60 V DC and 277 V AC, B curve 1-pole 32 A | TMC 81B 32A | 2907495 | 1 |
| MCB, up to 60 V DC and 120 V AC, B curve 1-pole 35 A | TMC 81B 35A | 2907496 | 1 |
| MCB, up to 60 V DC and 120 V AC, B curve 1-pole 40 A | TMC 81B 40A | 2907497 | 1 |
| MCB, up to 60 V DC and 120 V AC, B curve 1-pole 50 A | TMC 81B 50A | 2907498 | 1 |
| MCB, up to 60 V DC and 120 V AC, B curve 1-pole 60 A | TMC 81B 60A | 2907500 | 1 |
| MCB, up to 60 V DC and 120 V AC, B curve 1-pole 63 A | TMC 81B 63A | 2907501 | 1 |
| MCB, up to 125 V DC (two poles in series) and 277 V AC (277/480Y, 240D), B curve 2-pole 1 A | TMC 82B 01A | 2907502 | 1 |
| MCB, up to 125 V DC (two poles in series) and 277 V AC (277/480Y, 240D), B curve 2-pole 2 A | TMC 82B 02A | 2907503 | 1 |
| MCB, up to 125 V DC (two poles in series) and 277 V AC (277/480Y, 240D), B curve 2-pole 3 A | TMC 82B 03A | 2907504 | 1 |
| MCB, up to 125 V DC (two poles in series) and 277 V AC (277/480Y, 240D), B curve 2-pole 4 A | TMC 82B 04A | 2907505 | 1 |
| MCB, up to 125 V DC (two poles in series) and 277 V AC (277/480Y, 240D), B curve 2-pole 5 A | TMC 82B 05A | 2907506 | 1 |
| MCB, up to 125 V DC (two poles in series) and 277 V AC (277/480Y, 240D), B curve 2-pole 6 A | TMC 82B 06A | 2907507 | 1 |
| MCB, up to 125 V DC (two poles in series) and 277 V AC (277/480Y, 240D), B curve 2-pole 7 A | TMC 82B 07A | 2907508 | 1 |
| MCB, up to 125 V DC (two poles in series) and 277 V AC (277/480Y, 240D), B curve 2-pole 8 A | TMC 82B 08A | 2907510 | 1 |
| MCB, up to 125 V DC (two poles in series) and 277 V AC (277/480Y, 240D), B curve 2-pole 10 A | TMC 82B 10A | 2907511 | 1 |
| MCB, up to 125 V DC (two poles in series) and 277 V AC (277/480Y, 240D), B curve 2-pole 12 A | TMC 82B 12A | 2907512 | 1 |
| MCB, up to 125 V DC (two poles in series) and 277 V AC (277/480Y, 240D), B curve 2-pole 13 A | TMC 82B 13A | 2907513 | 1 |
| MCB, up to 125 V DC (two poles in series) and 277 V AC (277/480Y, 240D), B curve 2-pole 15 A | TMC 82B 15A | 2907514 | 1 |
| MCB, up to 125 V DC (two poles in series) and 277 V AC (277/480Y, 240D), B curve 2-pole 16 A | TMC 82B 16A | 2907515 | 1 |
| MCB, up to 125 V DC (two poles in series) and 277 V AC (277/480Y, 240D), B curve 2-pole 20 A | TMC 82B 20A | 2907516 | 1 |
| MCB, up to 125 V DC (two poles in series) and 277 V AC (277/480Y, 240D), B curve 2-pole 25 A | TMC 82B 25A | 2907530 | 1 |
| MCB, up to 125 V DC (two poles in series) and 277 V AC (277/480Y, 240D), B curve 2-pole 30 A | TMC 82B 30A | 2907531 | 1 |
| MCB, up to 125 V DC (two poles in series) and 277 V AC (277/480Y, 240D), B curve 2-pole 32 A | TMC 82B 32A | 2907532 | 1 |
| MCB, up to 125 V DC (two poles in series) and 240 V AC (120/240S, 240D), B curve 2-pole 35 A | TMC 82B 35A | 2907533 | 1 |

Products

| Description | Type | Order No. | Pcs./Pkt. |
|--|-------------|-----------|-----------|
| MCB, up to 125 V DC (two poles in series) and 240 V AC (120/240S, 240D), B curve 2-pole 40 A | TMC 82B 40A | 2907534 | 1 |
| MCB, up to 125 V DC (two poles in series) and 240 V AC (120/240S, 240D), B curve 2-pole 50 A | TMC 82B 50A | 2907535 | 1 |
| MCB, up to 125 V DC (two poles in series) and 240 V AC (120/240S, 240D), B curve 2-pole 60 A | TMC 82B 60A | 2907536 | 1 |
| MCB, up to 125 V DC (two poles in series) and 240 V AC (120/240S, 240D), B curve 2-pole 63 A | TMC 82B 63A | 2907537 | 1 |
| MCB, 277 V AC (277/480Y, 240D), B curve 3-pole 1 A | TMC 83B 01A | 2907539 | 1 |
| MCB, 277 V AC (277/480Y, 240D), B curve 3-pole 2 A | TMC 83B 02A | 2907540 | 1 |
| MCB, 277 V AC (277/480Y, 240D), B curve 3-pole 3 A | TMC 83B 03A | 2907542 | 1 |
| MCB, 277 V AC (277/480Y, 240D), B curve 3-pole 4 A | TMC 83B 04A | 2907543 | 1 |
| MCB, 277 V AC (277/480Y, 240D), B curve 3-pole 5 A | TMC 83B 05A | 2907544 | 1 |
| MCB, 277 V AC (277/480Y, 240D), B curve 3-pole 6 A | TMC 83B 06A | 2907545 | 1 |
| MCB, 277 V AC (277/480Y, 240D), B curve 3-pole 7 A | TMC 83B 07A | 2907546 | 1 |
| MCB, 277 V AC (277/480Y, 240D), B curve 3-pole 8 A | TMC 83B 08A | 2907547 | 1 |
| MCB, 277 V AC (277/480Y, 240D), B curve 3-pole 10 A | TMC 83B 10A | 2907548 | 1 |
| MCB, 277 V AC (277/480Y, 240D), B curve 3-pole 12 A | TMC 83B 12A | 2907549 | 1 |
| MCB, 277 V AC (277/480Y, 240D), B curve 3-pole 13 A | TMC 83B 13A | 2907550 | 1 |
| MCB, 277 V AC (277/480Y, 240D), B curve 3-pole 15 A | TMC 83B 15A | 2907551 | 1 |
| MCB, 277 V AC (277/480Y, 240D), B curve 3-pole 16 A | TMC 83B 16A | 2907552 | 1 |
| MCB, 277 V AC (277/480Y, 240D), B curve 3-pole 20 A | TMC 83B 20A | 2907553 | 1 |
| MCB, 277 V AC (277/480Y, 240D), B curve 3-pole 25 A | TMC 83B 25A | 2907555 | 1 |
| MCB, 277 V AC (277/480Y, 240D), B curve 3-pole 30 A | TMC 83B 30A | 2907556 | 1 |
| MCB, 277 V AC (277/480Y, 240D), B curve 3-pole 32 A | TMC 83B 32A | 2907557 | 1 |
| MCB, up to 240 V AC (240D), B curve 3-pole 35 A | TMC 83B 35A | 1010309 | 1 |
| MCB, up to 240 V AC (240D), B curve 3-pole 40 A | TMC 83B 40A | 1010308 | 1 |
| MCB, up to 240 V AC (240D), B curve 3-pole 50 A | TMC 83B 50A | 1010307 | 1 |
| MCB, up to 240 V AC (240D), B curve 3-pole 60 A | TMC 83B 60A | 1010306 | 1 |
| MCB, up to 240 V AC (240D), B curve 3-pole 63 A | TMC 83B 63A | 1010286 | 1 |
| MCB, up to 60 V DC and 277 V AC, C curve 1-pole 1 A | TMC 81C 01A | 2907558 | 1 |
| MCB, up to 60 V DC and 277 V AC, C curve 1-pole 2 A | TMC 81C 02A | 2907559 | 1 |
| MCB, up to 60 V DC and 277 V AC, C curve 1-pole 3 A | TMC 81C 03A | 2907560 | 1 |
| MCB, up to 60 V DC and 277 V AC, C curve 1-pole 4 A | TMC 81C 04A | 2907561 | 1 |
| MCB, up to 60 V DC and 277 V AC, C curve 1-pole 5 A | TMC 81C 05A | 2907562 | 1 |
| MCB, up to 60 V DC and 277 V AC, C curve 1-pole 6 A | TMC 81C 06A | 2907563 | 1 |
| MCB, up to 60 V DC and 277 V AC, C curve 1-pole 7 A | TMC 81C 07A | 2907564 | 1 |
| MCB, up to 60 V DC and 277 V AC, C curve 1-pole 8 A | TMC 81C 08A | 2907565 | 1 |
| MCB, up to 60 V DC and 277 V AC, C curve 1-pole 10 A | TMC 81C 10A | 2907566 | 1 |
| MCB, up to 60 V DC and 277 V AC, C curve 1-pole 12 A | TMC 81C 12A | 2907568 | 1 |
| MCB, up to 60 V DC and 277 V AC, C curve 1-pole 13 A | TMC 81C 13A | 2907569 | 1 |
| MCB, up to 60 V DC and 277 V AC, C curve 1-pole 15 A | TMC 81C 15A | 2907571 | 1 |
| MCB, up to 60 V DC and 277 V AC, C curve 1-pole 16 A | TMC 81C 16A | 2907572 | 1 |
| MCB, up to 60 V DC and 277 V AC, C curve 1-pole 20 A | TMC 81C 20A | 2907573 | 1 |
| MCB, up to 60 V DC and 277 V AC, C curve 1-pole 25 A | TMC 81C 25A | 2907574 | 1 |
| MCB, up to 60 V DC and 277 V AC, C curve 1-pole 30 A | TMC 81C 30A | 2907575 | 1 |
| MCB, up to 60 V DC and 277 V AC, C curve 1-pole 32 A | TMC 81C 32A | 2907576 | 1 |
| MCB, up to 60 V DC and 120 V AC, C curve 1-pole 35 A | TMC 81C 35A | 2907577 | 1 |
| MCB, up to 60 V DC and 120 V AC, C curve 1-pole 40 A | TMC 81C 40A | 2907578 | 1 |
| MCB, up to 60 V DC and 120 V AC, C curve 1-pole 50 A | TMC 81C 50A | 2907579 | 1 |
| MCB, up to 60 V DC and 120 V AC, C curve 1-pole 60 A | TMC 81C 60A | 2907580 | 1 |
| MCB, up to 60 V DC and 120 V AC, C curve 1-pole 63 A | TMC 81C 63A | 2907581 | 1 |
| MCB, up to 125 V DC (two poles in series) and 277 V AC (277/480Y, 240D), C curve 2-pole 1 A | TMC 82C 01A | 2907582 | 1 |
| MCB, up to 125 V DC (two poles in series) and 277 V AC (277/480Y, 240D), C curve 2-pole 2 A | TMC 82C 02A | 2907584 | 1 |
| MCB, up to 125 V DC (two poles in series) and 277 V AC (277/480Y, 240D), C curve 2-pole 3 A | TMC 82C 03A | 2907585 | 1 |
| MCB, up to 125 V DC (two poles in series) and 277 V AC (277/480Y, 240D), C curve 2-pole 4 A | TMC 82C 04A | 2907586 | 1 |

Products

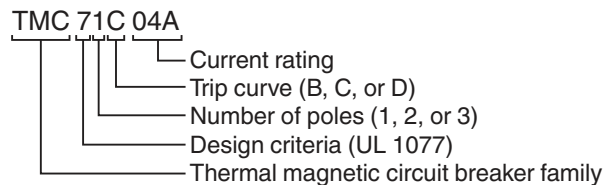
| Description | Type | Order No. | Pcs./Pkt. |
|--|-------------|-----------|-----------|
| MCB, up to 125 V DC (two poles in series) and 277 V AC (277/480Y, 240D), C curve 2-pole 5 A | TMC 82C 05A | 2907587 | 1 |
| MCB, up to 125 V DC (two poles in series) and 277 V AC (277/480Y, 240D), C curve 2-pole 6 A | TMC 82C 06A | 2907588 | 1 |
| MCB, up to 125 V DC (two poles in series) and 277 V AC (277/480Y, 240D), C curve 2-pole 7 A | TMC 82C 07A | 2907589 | 1 |
| MCB, up to 125 V DC (two poles in series) and 277 V AC (277/480Y, 240D), C curve 2-pole 8 A | TMC 82C 08A | 2907590 | 1 |
| MCB, up to 125 V DC (two poles in series) and 277 V AC (277/480Y, 240D), C curve 2-pole 10 A | TMC 82C 10A | 2907591 | 1 |
| MCB, up to 125 V DC (two poles in series) and 277 V AC (277/480Y, 240D), C curve 2-pole 12 A | TMC 82C 12A | 2907592 | 1 |
| MCB, up to 125 V DC (two poles in series) and 277 V AC (277/480Y, 240D), C curve 2-pole 13 A | TMC 82C 13A | 2907593 | 1 |
| MCB, up to 125 V DC (two poles in series) and 277 V AC (277/480Y, 240D), C curve 2-pole 15 A | TMC 82C 15A | 2907594 | 1 |
| MCB, up to 125 V DC (two poles in series) and 277 V AC (277/480Y, 240D), C curve 2-pole 16 A | TMC 82C 16A | 2907595 | 1 |
| MCB, up to 125 V DC (two poles in series) and 277 V AC (277/480Y, 240D), C curve 2-pole 20 A | TMC 82C 20A | 2907597 | 1 |
| MCB, up to 125 V DC (two poles in series) and 277 V AC (277/480Y, 240D), C curve 2-pole 25 A | TMC 82C 25A | 2907598 | 1 |
| MCB, up to 125 V DC (two poles in series) and 277 V AC (277/480Y, 240D), C curve 2-pole 30 A | TMC 82C 30A | 2907599 | 1 |
| MCB, up to 125 V DC (two poles in series) and 277 V AC (277/480Y, 240D), C curve 2-pole 32 A | TMC 82C 32A | 2907600 | 1 |
| MCB, up to 125 V DC (two poles in series) and 240 V AC (120/240S, 240D), C curve 2-pole 35 A | TMC 82C 35A | 2907601 | 1 |
| MCB, up to 125 V DC (two poles in series) and 240 V AC (120/240S, 240D), C curve 2-pole 40 A | TMC 82C 40A | 2907602 | 1 |
| MCB, up to 125 V DC (two poles in series) and 240 V AC (120/240S, 240D), C curve 2-pole 50 A | TMC 82C 50A | 2907603 | 1 |
| MCB, up to 125 V DC (two poles in series) and 240 V AC (120/240S, 240D), C curve 2-pole 60 A | TMC 82C 60A | 2907604 | 1 |
| MCB, up to 125 V DC (two poles in series) and 240 V AC (120/240S, 240D), C curve 2-pole 63 A | TMC 82C 63A | 2907605 | 1 |
| MCB, 277 V AC (277/480Y, 240D), C curve 3-pole 1 A | TMC 83C 01A | 2907607 | 1 |
| MCB, 277 V AC (277/480Y, 240D), C curve 3-pole 2 A | TMC 83C 02A | 2907608 | 1 |
| MCB, 277 V AC (277/480Y, 240D), C curve 3-pole 3 A | TMC 83C 03A | 2907609 | 1 |
| MCB, 277 V AC (277/480Y, 240D), C curve 3-pole 4 A | TMC 83C 04A | 2907610 | 1 |
| MCB, 277 V AC (277/480Y, 240D), C curve 3-pole 5 A | TMC 83C 05A | 2907611 | 1 |
| MCB, 277 V AC (277/480Y, 240D), C curve 3-pole 6 A | TMC 83C 06A | 2907612 | 1 |
| MCB, 277 V AC (277/480Y, 240D), C curve 3-pole 7 A | TMC 83C 07A | 2907613 | 1 |
| MCB, 277 V AC (277/480Y, 240D), C curve 3-pole 8 A | TMC 83C 08A | 2907614 | 1 |
| MCB, 277 V AC (277/480Y, 240D), C curve 3-pole 10 A | TMC 83C 10A | 2907615 | 1 |
| MCB, 277 V AC (277/480Y, 240D), C curve 3-pole 12 A | TMC 83C 12A | 2907616 | 1 |
| MCB, 277 V AC (277/480Y, 240D), C curve 3-pole 13 A | TMC 83C 13A | 2907617 | 1 |
| MCB, 277 V AC (277/480Y, 240D), C curve 3-pole 15 A | TMC 83C 15A | 2907618 | 1 |
| MCB, 277 V AC (277/480Y, 240D), C curve 3-pole 16 A | TMC 83C 16A | 2907620 | 1 |
| MCB, 277 V AC (277/480Y, 240D), C curve 3-pole 20 A | TMC 83C 20A | 2907621 | 1 |
| MCB, 277 V AC (277/480Y, 240D), C curve 3-pole 25 A | TMC 83C 25A | 2907623 | 1 |
| MCB, 277 V AC (277/480Y, 240D), C curve 3-pole 30 A | TMC 83C 30A | 2907624 | 1 |
| MCB, 277 V AC (277/480Y, 240D), C curve 3-pole 32 A | TMC 83C 32A | 2907625 | 1 |
| MCB, up to 240 V AC (240D), C curve 3-pole 35 A | TMC 83C 35A | 1010303 | 1 |
| MCB, up to 240 V AC (240D), C curve 3-pole 40 A | TMC 83C 40A | 1010305 | 1 |
| MCB, up to 240 V AC (240D), C curve 3-pole 50 A | TMC 83C 50A | 1010302 | 1 |
| MCB, up to 240 V AC (240D), C curve 3-pole 60 A | TMC 83C 60A | 1010301 | 1 |
| MCB, up to 240 V AC (240D), C curve 3-pole 63 A | TMC 83C 63A | 1010291 | 1 |
| MCB, up to 60 V DC and 277 V AC, D curve 1-pole 1 A | TMC 81D 01A | 2907626 | 1 |
| MCB, up to 60 V DC and 277 V AC, D curve 1-pole 2 A | TMC 81D 02A | 2907627 | 1 |
| MCB, up to 60 V DC and 277 V AC, D curve 1-pole 3 A | TMC 81D 03A | 2907628 | 1 |
| MCB, up to 60 V DC and 277 V AC, D curve 1-pole 4 A | TMC 81D 04A | 2907629 | 1 |
| MCB, up to 60 V DC and 277 V AC, D curve 1-pole 5 A | TMC 81D 05A | 2907630 | 1 |
| MCB, up to 60 V DC and 277 V AC, D curve 1-pole 6 A | TMC 81D 06A | 2907631 | 1 |
| MCB, up to 60 V DC and 277 V AC, D curve 1-pole 7 A | TMC 81D 07A | 2907632 | 1 |
| MCB, up to 60 V DC and 277 V AC, D curve 1-pole 8 A | TMC 81D 08A | 2907633 | 1 |
| MCB, up to 60 V DC and 277 V AC, D curve 1-pole 10 A | TMC 81D 10A | 2907634 | 1 |
| MCB, up to 60 V DC and 277 V AC, D curve 1-pole 12 A | TMC 81D 12A | 2907636 | 1 |
| MCB, up to 60 V DC and 277 V AC, D curve 1-pole 13 A | TMC 81D 13A | 2907637 | 1 |
| MCB, up to 60 V DC and 277 V AC, D curve 1-pole 15 A | TMC 81D 15A | 2907638 | 1 |

Products

| Description | Type | Order No. | Pcs./Pkt. |
|--|-------------|-----------|-----------|
| MCB, up to 60 V DC and 277 V AC, D curve 1-pole 16 A | TMC 81D 16A | 2907639 | 1 |
| MCB, up to 60 V DC and 277 V AC, D curve 1-pole 20 A | TMC 81D 20A | 2907640 | 1 |
| MCB, up to 60 V DC and 277 V AC, D curve 1-pole 25 A | TMC 81D 25A | 2907641 | 1 |
| MCB, up to 60 V DC and 277 V AC, D curve 1-pole 30 A | TMC 81D 30A | 2907642 | 1 |
| MCB, up to 60 V DC and 277 V AC, D curve 1-pole 32 A | TMC 81D 32A | 2907643 | 1 |
| MCB, up to 60 V DC and 120 V AC, D curve 1-pole 35 A | TMC 81D 35A | 2907644 | 1 |
| MCB, up to 60 V DC and 120 V AC, D curve 1-pole 40 A | TMC 81D 40A | 2907645 | 1 |
| MCB, up to 60 V DC and 120 V AC, D curve 1-pole 50 A | TMC 81D 50A | 2907646 | 1 |
| MCB, up to 60 V DC and 120 V AC, D curve 1-pole 60 A | TMC 81D 60A | 2907647 | 1 |
| MCB, up to 60 V DC and 120 V AC, D curve 1-pole 63 A | TMC 81D 63A | 2907649 | 1 |
| MCB, up to 125 V DC (two poles in series) and 277 V AC (277/480Y, 240D), D curve 2-pole 1 A | TMC 82D 01A | 2907650 | 1 |
| MCB, up to 125 V DC (two poles in series) and 277 V AC (277/480Y, 240D), D curve 2-pole 2 A | TMC 82D 02A | 2907652 | 1 |
| MCB, up to 125 V DC (two poles in series) and 277 V AC (277/480Y, 240D), D curve 2-pole 3 A | TMC 82D 03A | 2907653 | 1 |
| MCB, up to 125 V DC (two poles in series) and 277 V AC (277/480Y, 240D), D curve 2-pole 4 A | TMC 82D 04A | 2907654 | 1 |
| MCB, up to 125 V DC (two poles in series) and 277 V AC (277/480Y, 240D), D curve 2-pole 5 A | TMC 82D 05A | 2907655 | 1 |
| MCB, up to 125 V DC (two poles in series) and 277 V AC (277/480Y, 240D), D curve 2-pole 6 A | TMC 82D 06A | 2907656 | 1 |
| MCB, up to 125 V DC (two poles in series) and 277 V AC (277/480Y, 240D), D curve 2-pole 7 A | TMC 82D 07A | 2907657 | 1 |
| MCB, up to 125 V DC (two poles in series) and 277 V AC (277/480Y, 240D), D curve 2-pole 8 A | TMC 82D 08A | 2907658 | 1 |
| MCB, up to 125 V DC (two poles in series) and 277 V AC (277/480Y, 240D), D curve 2-pole 10 A | TMC 82D 10A | 2907659 | 1 |
| MCB, up to 125 V DC (two poles in series) and 277 V AC (277/480Y, 240D), D curve 2-pole 12 A | TMC 82D 12A | 2907660 | 1 |
| MCB, up to 125 V DC (two poles in series) and 277 V AC (277/480Y, 240D), D curve 2-pole 13 A | TMC 82D 13A | 2907661 | 1 |
| MCB, up to 125 V DC (two poles in series) and 277 V AC (277/480Y, 240D), D curve 2-pole 15 A | TMC 82D 15A | 2907662 | 1 |
| MCB, up to 125 V DC (two poles in series) and 277 V AC (277/480Y, 240D), D curve 2-pole 16 A | TMC 82D 16A | 2907663 | 1 |
| MCB, up to 125 V DC (two poles in series) and 277 V AC (277/480Y, 240D), D curve 2-pole 20 A | TMC 82D 20A | 2907665 | 1 |
| MCB, up to 125 V DC (two poles in series) and 277 V AC (277/480Y, 240D), D curve 2-pole 25 A | TMC 82D 25A | 2907666 | 1 |
| MCB, up to 125 V DC (two poles in series) and 277 V AC (277/480Y, 240D), D curve 2-pole 30 A | TMC 82D 30A | 2907667 | 1 |
| MCB, up to 125 V DC (two poles in series) and 277 V AC (277/480Y, 240D), D curve 2-pole 32 A | TMC 82D 32A | 2907668 | 1 |
| MCB, up to 125 V DC (two poles in series) and 240 V AC (120/240S, 240D), D curve 2-pole 35 A | TMC 82D 35A | 2907669 | 1 |
| MCB, up to 125 V DC (two poles in series) and 240 V AC (120/240S, 240D), D curve 2-pole 40 A | TMC 82D 40A | 2907670 | 1 |
| MCB, up to 125 V DC (two poles in series) and 240 V AC (120/240S, 240D), D curve 2-pole 50 A | TMC 82D 50A | 2907671 | 1 |
| MCB, up to 125 V DC (two poles in series) and 240 V AC (120/240S, 240D), D curve 2-pole 60 A | TMC 82D 60A | 2907672 | 1 |
| MCB, up to 125 V DC (two poles in series) and 240 V AC (120/240S, 240D), D curve 2-pole 63 A | TMC 82D 63A | 2907673 | 1 |
| MCB, 277 V AC (277/480Y, 240D), D curve 3-pole 1 A | TMC 83D 01A | 2907674 | 1 |
| MCB, 277 V AC (277/480Y, 240D), D curve 3-pole 2 A | TMC 83D 02A | 2907675 | 1 |
| MCB, 277 V AC (277/480Y, 240D), D curve 3-pole 3 A | TMC 83D 03A | 2907676 | 1 |
| MCB, 277 V AC (277/480Y, 240D), D curve 3-pole 4 A | TMC 83D 04A | 2907678 | 1 |
| MCB, 277 V AC (277/480Y, 240D), D curve 3-pole 5 A | TMC 83D 05A | 2907679 | 1 |
| MCB, 277 V AC (277/480Y, 240D), D curve 3-pole 6 A | TMC 83D 06A | 2907681 | 1 |
| MCB, 277 V AC (277/480Y, 240D), D curve 3-pole 7 A | TMC 83D 07A | 2907682 | 1 |
| MCB, 277 V AC (277/480Y, 240D), D curve 3-pole 8 A | TMC 83D 08A | 2907683 | 1 |
| MCB, 277 V AC (277/480Y, 240D), D curve 3-pole 10 A | TMC 83D 10A | 2907684 | 1 |
| MCB, 277 V AC (277/480Y, 240D), D curve 3-pole 12 A | TMC 83D 12A | 2907685 | 1 |
| MCB, 277 V AC (277/480Y, 240D), D curve 3-pole 13 A | TMC 83D 13A | 2907686 | 1 |
| MCB, 277 V AC (277/480Y, 240D), D curve 3-pole 15 A | TMC 83D 15A | 2907687 | 1 |
| MCB, 277 V AC (277/480Y, 240D), D curve 3-pole 16 A | TMC 83D 16A | 2907688 | 1 |
| MCB, 277 V AC (277/480Y, 240D), D curve 3-pole 20 A | TMC 83D 20A | 2907689 | 1 |
| MCB, 277 V AC (277/480Y, 240D), D curve 3-pole 25 A | TMC 83D 25A | 2907690 | 1 |
| MCB, 277 V AC (277/480Y, 240D), D curve 3-pole 30 A | TMC 83D 30A | 2907691 | 1 |
| MCB, 277 V AC (277/480Y, 240D), D curve 3-pole 32 A | TMC 83D 32A | 2907692 | 1 |
| MCB, up to 240 V AC (240D), D curve 3-pole 35 A | TMC 83D 35A | 1010290 | 1 |
| MCB, up to 240 V AC (240D), D curve 3-pole 40 A | TMC 83D 40A | 1010289 | 1 |

Products

| Description | Type | Order No. | Pcs./Pkt. |
|---|-------------|-----------|-----------|
| MCB, up to 240 V AC (240D), D curve 3-pole 50 A | TMC 83D 50A | 1010284 | 1 |
| MCB, up to 240 V AC (240D), D curve 3-pole 60 A | TMC 83D 60A | 1010288 | 1 |
| MCB, up to 240 V AC (240D), D curve 3-pole 63 A | TMC 83D 63A | 1010287 | 1 |



Products

| Description | Type | Order No. | Pcs./Pkt. |
|--|-------------|-----------|-----------|
| MCB, up to 60 V DC and 277 V AC, B curve 1-pole 1 A | TMC 71B 01A | 1011962 | 1 |
| MCB, up to 60 V DC and 277 V AC, B curve 1-pole 2 A | TMC 71B 02A | 1019909 | 1 |
| MCB, up to 60 V DC and 277 V AC, B curve 1-pole 3 A | TMC 71B 03A | 1019910 | 1 |
| MCB, up to 60 V DC and 277 V AC, B curve 1-pole 4 A | TMC 71B 04A | 1019911 | 1 |
| MCB, up to 60 V DC and 277 V AC, B curve 1-pole 5 A | TMC 71B 05A | 1019912 | 1 |
| MCB, up to 60 V DC and 277 V AC, B curve 1-pole 6 A | TMC 71B 06A | 1019913 | 1 |
| MCB, up to 60 V DC and 277 V AC, B curve 1-pole 7 A | TMC 71B 07A | 1019914 | 1 |
| MCB, up to 60 V DC and 277 V AC, B curve 1-pole 8 A | TMC 71B 08A | 1019915 | 1 |
| MCB, up to 60 V DC and 277 V AC, B curve 1-pole 10 A | TMC 71B 10A | 1019916 | 1 |
| MCB, up to 60 V DC and 277 V AC, B curve 1-pole 12 A | TMC 71B 12A | 1019917 | 1 |
| MCB, up to 60 V DC and 277 V AC, B curve 1-pole 13 A | TMC 71B 13A | 1019918 | 1 |
| MCB, up to 60 V DC and 277 V AC, B curve 1-pole 15 A | TMC 71B 15A | 1019919 | 1 |
| MCB, up to 60 V DC and 277 V AC, B curve 1-pole 16 A | TMC 71B 16A | 1019920 | 1 |
| MCB, up to 60 V DC and 277 V AC, B curve 1-pole 20 A | TMC 71B 20A | 1019921 | 1 |
| MCB, up to 60 V DC and 277 V AC, B curve 1-pole 25 A | TMC 71B 25A | 1019922 | 1 |
| MCB, up to 60 V DC and 277 V AC, B curve 1-pole 30 A | TMC 71B 30A | 1019923 | 1 |
| MCB, up to 60 V DC and 277 V AC, B curve 1-pole 32 A | TMC 71B 32A | 1019924 | 1 |
| MCB, up to 60 V DC and 277 V AC, B curve 1-pole 40 A | TMC 71B 40A | 1019925 | 1 |
| MCB, up to 60 V DC and 277 V AC, B curve 1-pole 50 A | TMC 71B 50A | 1019926 | 1 |
| MCB, up to 60 V DC and 277 V AC, B curve 1-pole 60 A | TMC 71B 60A | 1019927 | 1 |
| MCB, up to 60 V DC and 277 V AC, B curve 1-pole 63 A | TMC 71B 63A | 1019928 | 1 |
| MCB, up to 125 V DC (two poles in series) and 277 V AC (277/480Y, 240D), B curve 2-pole 1 A | TMC 72B 01A | 1019930 | 1 |
| MCB, up to 125 V DC (two poles in series) and 277 V AC (277/480Y, 240D), B curve 2-pole 2 A | TMC 72B 02A | 1019931 | 1 |
| MCB, up to 125 V DC (two poles in series) and 277 V AC (277/480Y, 240D), B curve 2-pole 3 A | TMC 72B 03A | 1019932 | 1 |
| MCB, up to 125 V DC (two poles in series) and 277 V AC (277/480Y, 240D), B curve 2-pole 4 A | TMC 72B 04A | 1019933 | 1 |
| MCB, up to 125 V DC (two poles in series) and 277 V AC (277/480Y, 240D), B curve 2-pole 5 A | TMC 72B 05A | 1019934 | 1 |
| MCB, up to 125 V DC (two poles in series) and 277 V AC (277/480Y, 240D), B curve 2-pole 6 A | TMC 72B 06A | 1019935 | 1 |
| MCB, up to 125 V DC (two poles in series) and 277 V AC (277/480Y, 240D), B curve 2-pole 7 A | TMC 72B 07A | 1019936 | 1 |
| MCB, up to 125 V DC (two poles in series) and 277 V AC (277/480Y, 240D), B curve 2-pole 8 A | TMC 72B 08A | 1019937 | 1 |
| MCB, up to 125 V DC (two poles in series) and 277 V AC (277/480Y, 240D), B curve 2-pole 10 A | TMC 72B 10A | 1019938 | 1 |
| MCB, up to 125 V DC (two poles in series) and 277 V AC (277/480Y, 240D), B curve 2-pole 12 A | TMC 72B 12A | 1019939 | 1 |
| MCB, up to 125 V DC (two poles in series) and 277 V AC (277/480Y, 240D), B curve 2-pole 13 A | TMC 72B 13A | 1019940 | 1 |
| MCB, up to 125 V DC (two poles in series) and 277 V AC (277/480Y, 240D), B curve 2-pole 15 A | TMC 72B 15A | 1019941 | 1 |
| MCB, up to 125 V DC (two poles in series) and 277 V AC (277/480Y, 240D), B curve 2-pole 16 A | TMC 72B 16A | 1019942 | 1 |
| MCB, up to 125 V DC (two poles in series) and 277 V AC (277/480Y, 240D), B curve 2-pole 20 A | TMC 72B 20A | 1019943 | 1 |
| MCB, up to 125 V DC (two poles in series) and 277 V AC (277/480Y, 240D), B curve 2-pole 25 A | TMC 72B 25A | 1019944 | 1 |

Products

| Description | Type | Order No. | Pcs./Pkt. |
|--|-------------|-----------|-----------|
| MCB, up to 125 V DC (two poles in series) and 277 V AC (277/480Y, 240D), B curve 2-pole 30 A | TMC 72B 30A | 1019945 | 1 |
| MCB, up to 125 V DC (two poles in series) and 277 V AC (277/480Y, 240D), B curve 2-pole 32 A | TMC 72B 32A | 1019946 | 1 |
| MCB, up to 125 V DC (two poles in series) and 240 V AC (120/240S, 240D), B curve 2-pole 40 A | TMC 72B 40A | 1019947 | 1 |
| MCB, up to 125 V DC (two poles in series) and 240 V AC (120/240S, 240D), B curve 2-pole 50 A | TMC 72B 50A | 1019948 | 1 |
| MCB, up to 125 V DC (two poles in series) and 240 V AC (120/240S, 240D), B curve 2-pole 60 A | TMC 72B 60A | 1019949 | 1 |
| MCB, up to 125 V DC (two poles in series) and 240 V AC (120/240S, 240D), B curve 2-pole 63 A | TMC 72B 63A | 1019950 | 1 |
| MCB, 277 V AC (277/480Y, 240D), B curve 3-pole 1 A | TMC 73B 01A | 1019951 | 1 |
| MCB, 277 V AC (277/480Y, 240D), B curve 3-pole 2 A | TMC 73B 02A | 1019952 | 1 |
| MCB, 277 V AC (277/480Y, 240D), B curve 3-pole 3 A | TMC 73B 03A | 1019953 | 1 |
| MCB, 277 V AC (277/480Y, 240D), B curve 3-pole 4 A | TMC 73B 04A | 1019954 | 1 |
| MCB, 277 V AC (277/480Y, 240D), B curve 3-pole 5 A | TMC 73B 05A | 1019955 | 1 |
| MCB, 277 V AC (277/480Y, 240D), B curve 3-pole 6 A | TMC 73B 06A | 1019956 | 1 |
| MCB, 277 V AC (277/480Y, 240D), B curve 3-pole 7 A | TMC 73B 07A | 1019957 | 1 |
| MCB, 277 V AC (277/480Y, 240D), B curve 3-pole 8 A | TMC 73B 08A | 1019958 | 1 |
| MCB, 277 V AC (277/480Y, 240D), B curve 3-pole 10 A | TMC 73B 10A | 1019959 | 1 |
| MCB, 277 V AC (277/480Y, 240D), B curve 3-pole 12 A | TMC 73B 12A | 1019960 | 1 |
| MCB, 277 V AC (277/480Y, 240D), B curve 3-pole 13 A | TMC 73B 13A | 1019961 | 1 |
| MCB, 277 V AC (277/480Y, 240D), B curve 3-pole 15 A | TMC 73B 15A | 1019962 | 1 |
| MCB, 277 V AC (277/480Y, 240D), B curve 3-pole 16 A | TMC 73B 16A | 1019963 | 1 |
| MCB, 277 V AC (277/480Y, 240D), B curve 3-pole 20 A | TMC 73B 20A | 1019964 | 1 |
| MCB, 277 V AC (277/480Y, 240D), B curve 3-pole 25 A | TMC 73B 25A | 1019965 | 1 |
| MCB, 277 V AC (277/480Y, 240D), B curve 3-pole 30 A | TMC 73B 30A | 1019966 | 1 |
| MCB, 277 V AC (277/480Y, 240D), B curve 3-pole 32 A | TMC 73B 32A | 1019967 | 1 |
| MCB, 277 V AC (277/480Y, 240D), B curve 3-pole 40 A | TMC 73B 40A | 1019968 | 1 |
| MCB, 277 V AC (277/480Y, 240D), B curve 3-pole 50 A | TMC 73B 50A | 1019969 | 1 |
| MCB, 277 V AC (277/480Y, 240D), B curve 3-pole 60 A | TMC 73B 60A | 1019970 | 1 |
| MCB, 277 V AC (277/480Y, 240D), B curve 3-pole 63 A | TMC 73B 63A | 1019971 | 1 |
| MCB, up to 60 V DC and 277 V AC, C curve 1-pole 1 A | TMC 71C 01A | 1019972 | 1 |
| MCB, up to 60 V DC and 277 V AC, C curve 1-pole 2 A | TMC 71C 02A | 1019973 | 1 |
| MCB, up to 60 V DC and 277 V AC, C curve 1-pole 3 A | TMC 71C 03A | 1019974 | 1 |
| MCB, up to 60 V DC and 277 V AC, C curve 1-pole 4 A | TMC 71C 04A | 1019975 | 1 |
| MCB, up to 60 V DC and 277 V AC, C curve 1-pole 5 A | TMC 71C 05A | 1019976 | 1 |
| MCB, up to 60 V DC and 277 V AC, C curve 1-pole 6 A | TMC 71C 06A | 1019977 | 1 |
| MCB, up to 60 V DC and 277 V AC, C curve 1-pole 7 A | TMC 71C 07A | 1019978 | 1 |
| MCB, up to 60 V DC and 277 V AC, C curve 1-pole 8 A | TMC 71C 08A | 1019979 | 1 |
| MCB, up to 60 V DC and 277 V AC, C curve 1-pole 10 A | TMC 71C 10A | 1019980 | 1 |
| MCB, up to 60 V DC and 277 V AC, C curve 1-pole 12 A | TMC 71C 12A | 1019981 | 1 |
| MCB, up to 60 V DC and 277 V AC, C curve 1-pole 13 A | TMC 71C 13A | 1019982 | 1 |
| MCB, up to 60 V DC and 277 V AC, C curve 1-pole 15 A | TMC 71C 15A | 1019983 | 1 |
| MCB, up to 60 V DC and 277 V AC, C curve 1-pole 16 A | TMC 71C 16A | 1019984 | 1 |
| MCB, up to 60 V DC and 277 V AC, C curve 1-pole 20 A | TMC 71C 20A | 1019985 | 1 |
| MCB, up to 60 V DC and 277 V AC, C curve 1-pole 25 A | TMC 71C 25A | 1019986 | 1 |
| MCB, up to 60 V DC and 277 V AC, C curve 1-pole 30 A | TMC 71C 30A | 1019987 | 1 |
| MCB, up to 60 V DC and 277 V AC, C curve 1-pole 32 A | TMC 71C 32A | 1019988 | 1 |
| MCB, up to 60 V DC and 277 V AC, C curve 1-pole 40 A | TMC 71C 40A | 1019989 | 1 |
| MCB, up to 60 V DC and 277 V AC, C curve 1-pole 50 A | TMC 71C 50A | 1019990 | 1 |
| MCB, up to 60 V DC and 277 V AC, C curve 1-pole 60 A | TMC 71C 60A | 1019991 | 1 |
| MCB, up to 60 V DC and 277 V AC, C curve 1-pole 63 A | TMC 71C 63A | 1019992 | 1 |
| MCB, up to 125 V DC (two poles in series) and 277 V AC (277/480Y, 240D), C curve 2-pole 1 A | TMC 72C 01A | 1019994 | 1 |
| MCB, up to 125 V DC (two poles in series) and 277 V AC (277/480Y, 240D), C curve 2-pole 2 A | TMC 72C 02A | 1019995 | 1 |
| MCB, up to 125 V DC (two poles in series) and 277 V AC (277/480Y, 240D), C curve 2-pole 3 A | TMC 72C 03A | 1019996 | 1 |
| MCB, up to 125 V DC (two poles in series) and 277 V AC (277/480Y, 240D), C curve 2-pole 4 A | TMC 72C 04A | 1019997 | 1 |

Products

| Description | Type | Order No. | Pcs./Pkt. |
|--|-------------|-----------|-----------|
| MCB, up to 125 V DC (two poles in series) and 277 V AC (277/480Y, 240D), C curve 2-pole 5 A | TMC 72C 05A | 1019998 | 1 |
| MCB, up to 125 V DC (two poles in series) and 277 V AC (277/480Y, 240D), C curve 2-pole 6 A | TMC 72C 06A | 1019999 | 1 |
| MCB, up to 125 V DC (two poles in series) and 277 V AC (277/480Y, 240D), C curve 2-pole 7 A | TMC 72C 07A | 1020000 | 1 |
| MCB, up to 125 V DC (two poles in series) and 277 V AC (277/480Y, 240D), C curve 2-pole 8 A | TMC 72C 08A | 1020001 | 1 |
| MCB, up to 125 V DC (two poles in series) and 277 V AC (277/480Y, 240D), C curve 2-pole 10 A | TMC 72C 10A | 1020002 | 1 |
| MCB, up to 125 V DC (two poles in series) and 277 V AC (277/480Y, 240D), C curve 2-pole 12 A | TMC 72C 12A | 1020003 | 1 |
| MCB, up to 125 V DC (two poles in series) and 277 V AC (277/480Y, 240D), C curve 2-pole 13 A | TMC 72C 13A | 1020004 | 1 |
| MCB, up to 125 V DC (two poles in series) and 277 V AC (277/480Y, 240D), C curve 2-pole 15 A | TMC 72C 15A | 1020005 | 1 |
| MCB, up to 125 V DC (two poles in series) and 277 V AC (277/480Y, 240D), C curve 2-pole 16 A | TMC 72C 16A | 1020006 | 1 |
| MCB, up to 125 V DC (two poles in series) and 277 V AC (277/480Y, 240D), C curve 2-pole 20 A | TMC 72C 20A | 1020007 | 1 |
| MCB, up to 125 V DC (two poles in series) and 277 V AC (277/480Y, 240D), C curve 2-pole 25 A | TMC 72C 25A | 1020008 | 1 |
| MCB, up to 125 V DC (two poles in series) and 277 V AC (277/480Y, 240D), C curve 2-pole 30 A | TMC 72C 30A | 1020009 | 1 |
| MCB, up to 125 V DC (two poles in series) and 277 V AC (277/480Y, 240D), C curve 2-pole 32 A | TMC 72C 32A | 1020010 | 1 |
| MCB, up to 125 V DC (two poles in series) and 240 V AC (120/240S, 240D), C curve 2-pole 40 A | TMC 72C 40A | 1020011 | 1 |
| MCB, up to 125 V DC (two poles in series) and 240 V AC (120/240S, 240D), C curve 2-pole 50 A | TMC 72C 50A | 1020012 | 1 |
| MCB, up to 125 V DC (two poles in series) and 240 V AC (120/240S, 240D), C curve 2-pole 60 A | TMC 72C 60A | 1020013 | 1 |
| MCB, up to 125 V DC (two poles in series) and 240 V AC (120/240S, 240D), C curve 2-pole 63 A | TMC 72C 63A | 1020014 | 1 |
| MCB, 277 V AC (277/480Y, 240D), C curve 3-pole 1 A | TMC 73C 01A | 1020015 | 1 |
| MCB, 277 V AC (277/480Y, 240D), C curve 3-pole 2 A | TMC 73C 02A | 1020016 | 1 |
| MCB, 277 V AC (277/480Y, 240D), C curve 3-pole 3 A | TMC 73C 03A | 1020017 | 1 |
| MCB, 277 V AC (277/480Y, 240D), C curve 3-pole 4 A | TMC 73C 04A | 1020018 | 1 |
| MCB, 277 V AC (277/480Y, 240D), C curve 3-pole 5 A | TMC 73C 05A | 1020019 | 1 |
| MCB, 277 V AC (277/480Y, 240D), C curve 3-pole 6 A | TMC 73C 06A | 1020020 | 1 |
| MCB, 277 V AC (277/480Y, 240D), C curve 3-pole 7 A | TMC 73C 07A | 1020021 | 1 |
| MCB, 277 V AC (277/480Y, 240D), C curve 3-pole 8 A | TMC 73C 08A | 1020022 | 1 |
| MCB, 277 V AC (277/480Y, 240D), C curve 3-pole 10 A | TMC 73C 10A | 1020023 | 1 |
| MCB, 277 V AC (277/480Y, 240D), C curve 3-pole 12 A | TMC 73C 12A | 1020024 | 1 |
| MCB, 277 V AC (277/480Y, 240D), C curve 3-pole 13 A | TMC 73C 13A | 1020025 | 1 |
| MCB, 277 V AC (277/480Y, 240D), C curve 3-pole 15 A | TMC 73C 15A | 1020026 | 1 |
| MCB, 277 V AC (277/480Y, 240D), C curve 3-pole 16 A | TMC 73C 16A | 1020027 | 1 |
| MCB, 277 V AC (277/480Y, 240D), C curve 3-pole 20 A | TMC 73C 20A | 1020028 | 1 |
| MCB, 277 V AC (277/480Y, 240D), C curve 3-pole 25 A | TMC 73C 25A | 1020029 | 1 |
| MCB, 277 V AC (277/480Y, 240D), C curve 3-pole 30 A | TMC 73C 30A | 1020030 | 1 |
| MCB, 277 V AC (277/480Y, 240D), C curve 3-pole 32 A | TMC 73C 32A | 1020031 | 1 |
| MCB, 277 V AC (277/480Y, 240D), C curve 3-pole 40 A | TMC 73C 40A | 1020032 | 1 |
| MCB, 277 V AC (277/480Y, 240D), C curve 3-pole 50 A | TMC 73C 50A | 1020033 | 1 |
| MCB, 277 V AC (277/480Y, 240D), C curve 3-pole 60 A | TMC 73C 60A | 1020035 | 1 |
| MCB, 277 V AC (277/480Y, 240D), C curve 3-pole 63 A | TMC 73C 63A | 1020036 | 1 |
| MCB, up to 60 V DC and 277 V AC, D curve 1-pole 1 A | TMC 71D 01A | 1020037 | 1 |
| MCB, up to 60 V DC and 277 V AC, D curve 1-pole 2 A | TMC 71D 02A | 1020038 | 1 |
| MCB, up to 60 V DC and 277 V AC, D curve 1-pole 3 A | TMC 71D 03A | 1020039 | 1 |
| MCB, up to 60 V DC and 277 V AC, D curve 1-pole 4 A | TMC 71D 04A | 1020040 | 1 |
| MCB, up to 60 V DC and 277 V AC, D curve 1-pole 5 A | TMC 71D 05A | 1020041 | 1 |
| MCB, up to 60 V DC and 277 V AC, D curve 1-pole 6 A | TMC 71D 06A | 1020042 | 1 |
| MCB, up to 60 V DC and 277 V AC, D curve 1-pole 7 A | TMC 71D 07A | 1020043 | 1 |
| MCB, up to 60 V DC and 277 V AC, D curve 1-pole 8 A | TMC 71D 08A | 1020044 | 1 |
| MCB, up to 60 V DC and 277 V AC, D curve 1-pole 10 A | TMC 71D 10A | 1020045 | 1 |
| MCB, up to 60 V DC and 277 V AC, D curve 1-pole 12 A | TMC 71D 12A | 1020046 | 1 |
| MCB, up to 60 V DC and 277 V AC, D curve 1-pole 13 A | TMC 71D 13A | 1020048 | 1 |
| MCB, up to 60 V DC and 277 V AC, D curve 1-pole 15 A | TMC 71D 15A | 1020049 | 1 |
| MCB, up to 60 V DC and 277 V AC, D curve 1-pole 16 A | TMC 71D 16A | 1020051 | 1 |
| MCB, up to 60 V DC and 277 V AC, D curve 1-pole 20 A | TMC 71D 20A | 1020052 | 1 |

Products

| Description | Type | Order No. | Pcs./Pkt. |
|--|-------------|-----------|-----------|
| MCB, up to 60 V DC and 277 V AC, D curve 1-pole 25 A | TMC 71D 25A | 1020053 | 1 |
| MCB, up to 60 V DC and 277 V AC, D curve 1-pole 30 A | TMC 71D 30A | 1020054 | 1 |
| MCB, up to 60 V DC and 277 V AC, D curve 1-pole 32 A | TMC 71D 32A | 1020055 | 1 |
| MCB, up to 60 V DC and 277 V AC, D curve 1-pole 40 A | TMC 71D 40A | 1020056 | 1 |
| MCB, up to 60 V DC and 277 V AC, D curve 1-pole 50 A | TMC 71D 50A | 1020057 | 1 |
| MCB, up to 60 V DC and 277 V AC, D curve 1-pole 60 A | TMC 71D 60A | 1020058 | 1 |
| MCB, up to 60 V DC and 277 V AC, D curve 1-pole 63 A | TMC 71D 63A | 1020059 | 1 |
| MCB, up to 125 V DC (two poles in series) and 277 V AC (277/480Y, 240D), D curve 2-pole 1 A | TMC 72D 01A | 1020060 | 1 |
| MCB, up to 125 V DC (two poles in series) and 277 V AC (277/480Y, 240D), D curve 2-pole 2 A | TMC 72D 02A | 1020061 | 1 |
| MCB, up to 125 V DC (two poles in series) and 277 V AC (277/480Y, 240D), D curve 2-pole 3 A | TMC 72D 03A | 1020062 | 1 |
| MCB, up to 125 V DC (two poles in series) and 277 V AC (277/480Y, 240D), D curve 2-pole 4 A | TMC 72D 04A | 1020064 | 1 |
| MCB, up to 125 V DC (two poles in series) and 277 V AC (277/480Y, 240D), D curve 2-pole 5 A | TMC 72D 05A | 1020065 | 1 |
| MCB, up to 125 V DC (two poles in series) and 277 V AC (277/480Y, 240D), D curve 2-pole 6 A | TMC 72D 06A | 1020066 | 1 |
| MCB, up to 125 V DC (two poles in series) and 277 V AC (277/480Y, 240D), D curve 2-pole 7 A | TMC 72D 07A | 1020067 | 1 |
| MCB, up to 125 V DC (two poles in series) and 277 V AC (277/480Y, 240D), D curve 2-pole 8 A | TMC 72D 08A | 1020068 | 1 |
| MCB, up to 125 V DC (two poles in series) and 277 V AC (277/480Y, 240D), D curve 2-pole 10 A | TMC 72D 10A | 1020069 | 1 |
| MCB, up to 125 V DC (two poles in series) and 277 V AC (277/480Y, 240D), D curve 2-pole 12 A | TMC 72D 12A | 1020070 | 1 |
| MCB, up to 125 V DC (two poles in series) and 277 V AC (277/480Y, 240D), D curve 2-pole 13 A | TMC 72D 13A | 1020071 | 1 |
| MCB, up to 125 V DC (two poles in series) and 277 V AC (277/480Y, 240D), D curve 2-pole 15 A | TMC 72D 15A | 1020072 | 1 |
| MCB, up to 125 V DC (two poles in series) and 277 V AC (277/480Y, 240D), D curve 2-pole 16 A | TMC 72D 16A | 1020073 | 1 |
| MCB, up to 125 V DC (two poles in series) and 277 V AC (277/480Y, 240D), D curve 2-pole 20 A | TMC 72D 20A | 1020074 | 1 |
| MCB, up to 125 V DC (two poles in series) and 277 V AC (277/480Y, 240D), D curve 2-pole 25 A | TMC 72D 25A | 1020075 | 1 |
| MCB, up to 125 V DC (two poles in series) and 277 V AC (277/480Y, 240D), D curve 2-pole 30 A | TMC 72D 30A | 1020076 | 1 |
| MCB, up to 125 V DC (two poles in series) and 277 V AC (277/480Y, 240D), D curve 2-pole 32 A | TMC 72D 32A | 1020077 | 1 |
| MCB, up to 125 V DC (two poles in series) and 277 V AC (277/480Y, 240D), D curve 2-pole 40 A | TMC 72D 40A | 1020078 | 1 |
| MCB, up to 125 V DC (two poles in series) and 277 V AC (277/480Y, 240D), D curve 2-pole 50 A | TMC 72D 50A | 1020079 | 1 |
| MCB, up to 125 V DC (two poles in series) and 277 V AC (277/480Y, 240D), D curve 2-pole 60 A | TMC 72D 60A | 1020080 | 1 |
| MCB, up to 125 V DC (two poles in series) and 277 V AC (277/480Y, 240D), D curve 2-pole 63 A | TMC 72D 63A | 1020081 | 1 |
| MCB, 277 V AC (277/480Y, 240D), D curve 3-pole 1 A | TMC 73D 01A | 1020082 | 1 |
| MCB, 277 V AC (277/480Y, 240D), D curve 3-pole 2 A | TMC 73D 02A | 1020083 | 1 |
| MCB, 277 V AC (277/480Y, 240D), D curve 3-pole 3 A | TMC 73D 03A | 1020084 | 1 |
| MCB, 277 V AC (277/480Y, 240D), D curve 3-pole 4 A | TMC 73D 04A | 1020085 | 1 |
| MCB, 277 V AC (277/480Y, 240D), D curve 3-pole 5 A | TMC 73D 05A | 1020086 | 1 |
| MCB, 277 V AC (277/480Y, 240D), D curve 3-pole 6 A | TMC 73D 06A | 1020087 | 1 |
| MCB, 277 V AC (277/480Y, 240D), D curve 3-pole 7 A | TMC 73D 07A | 1020088 | 1 |
| MCB, 277 V AC (277/480Y, 240D), D curve 3-pole 8 A | TMC 73D 08A | 1020090 | 1 |
| MCB, 277 V AC (277/480Y, 240D), D curve 3-pole 10 A | TMC 73D 10A | 1020091 | 1 |
| MCB, 277 V AC (277/480Y, 240D), D curve 3-pole 12 A | TMC 73D 12A | 1020093 | 1 |
| MCB, 277 V AC (277/480Y, 240D), D curve 3-pole 13 A | TMC 73D 13A | 1020094 | 1 |
| MCB, 277 V AC (277/480Y, 240D), D curve 3-pole 15 A | TMC 73D 15A | 1020095 | 1 |
| MCB, 277 V AC (277/480Y, 240D), D curve 3-pole 16 A | TMC 73D 16A | 1020096 | 1 |
| MCB, 277 V AC (277/480Y, 240D), D curve 3-pole 20 A | TMC 73D 20A | 1020097 | 1 |
| MCB, 277 V AC (277/480Y, 240D), D curve 3-pole 25 A | TMC 73D 25A | 1020098 | 1 |
| MCB, 277 V AC (277/480Y, 240D), D curve 3-pole 30 A | TMC 73D 30A | 1020099 | 1 |
| MCB, 277 V AC (277/480Y, 240D), D curve 3-pole 32 A | TMC 73D 32A | 1020100 | 1 |
| MCB, 277 V AC (277/480Y, 240D), D curve 3-pole 40 A | TMC 73D 40A | 1020101 | 1 |
| MCB, 277 V AC (277/480Y, 240D), D curve 3-pole 50 A | TMC 73D 50A | 1020103 | 1 |
| MCB, 277 V AC (277/480Y, 240D), D curve 3-pole 60 A | TMC 73D 60A | 1020104 | 1 |
| MCB, 277 V AC (277/480Y, 240D), D curve 3-pole 63 A | TMC 73D 63A | 1020105 | 1 |

3 Technical data

General data

| | |
|--------------------------------------|---|
| Ambient temperature, operating | -35°C ... 70°C (-31°F ... 158°F) |
| Degree of protection | IP20 |
| Weight (approximate) | |
| TMC 8... | 131 g per pole |
| TMC 7... | 116 g per pole |
| Installation | NS35 rail (EN 60715) |
| Conductor cross section | 1 ... 35 mm ² /18 ... 2 AWG ¹ |
| Connection type | Screw-clamp terminals |
| Conductor tightening torque, maximum | 2 Nm (17.7 lb _F -in.) |

¹ Use copper wire only.

Electrical data

| | |
|---------------------------------|--|
| Nominal voltage, U _N | See product description for specifics for each model |
| Nominal current | See product description for specifics for each model |



NOTE:

Current ratings are 0.80 of nominal current when mounted side by side.

Service life

| | |
|------------|---------------|
| Mechanical | 20,000 cycles |
| Electrical | 6,000 cycles |

Conformance

| | |
|--|---|
| IEC 60068-2-6 (Sinusoidal vibration) test Fc | ±0.38 mm (10-57 Hz), 5g (57-500 Hz) 10 frequency cycles per axis |
| IEC 60068-2-27 (Shock) Test Ea | 30g, 11 ms |
| IEC 60068-2-11 (Corrosion) Test Ka | 96 h in 5% salt mist |
| IEC 60068-2-78 (Humidity) Test Cab | 48 h at 95% relative humidity, 40°C |

Approvals (UL 489/CSA-C22.2 No. 5)

| | Nominal current range | Rated voltage AC | Rated voltage DC | Interrupt capacity |
|-----------|-----------------------|---------------------------|--------------------------------|--------------------|
| TMC 81... | 1 ... 32 A | 277 V AC | 60 V DC | 10 kA |
| TMC 81... | 35 ... 63A | 120 V AC | 60 V DC | 10 kA |
| TMC 82... | 1 ... 32 A | 277 V AC (277/480Y, 240D) | 125 V DC (two poles in series) | 10 kA |
| TMC 82... | 35 ... 63A | 240 V AC (120/240S, 240D) | 125 V DC (two poles in series) | 10 kA |
| TMC 83... | 1 ... 32 A | 277 V AC (277/480Y, 240D) | 125 V DC (two poles in series) | 10 kA |
| TMC 83... | 35 ... 63 A | 240 V AC (120/240S, 240D) | | 10 kA |

Approvals (UL 1077/CSA-C22.2 No. 235)

| | Nominal current range | Rated voltage AC | Rated voltage DC | Short-circuit current rating (SCCR) |
|-----------|-----------------------|------------------|--------------------------------|-------------------------------------|
| TMC 71... | 1 ... 63 A | 240 V AC | 60 V DC | 7.5 kA, U1 |
| TMC 71... | 1 ... 63A | 277 V AC | | 5 kA, U1 |
| TMC 72... | 1 ... 63 A | 277/480Y, 240D | 125 V DC (two poles in series) | 7.5 kA, U1 |
| TMC 73... | 1 ... 63 A | 277/480Y, 240D | | 7.5 kA, U1 |

Approvals (IEC/EN 60947-2)

| | Nominal current range | Rated voltage AC | Rated voltage DC | Rupture capacity |
|-----------|-----------------------|------------------|--------------------------------|--------------------------|
| TMC 71... | - | 240 V AC | 80 V DC | 7.5 kA AC/10 kA DC (Ics) |
| TMC 81... | | | | 10 kA (Icu) |
| TMC 72... | - | 240/415 V AC | 125 V DC (two poles in series) | 7.5 kA AC/10 kA DC (Ics) |
| TMC 73... | | | | 10 kA DC (Icu) |
| TMC 82... | | | | |
| TMC 83... | | | | |

3.1 Trip curve

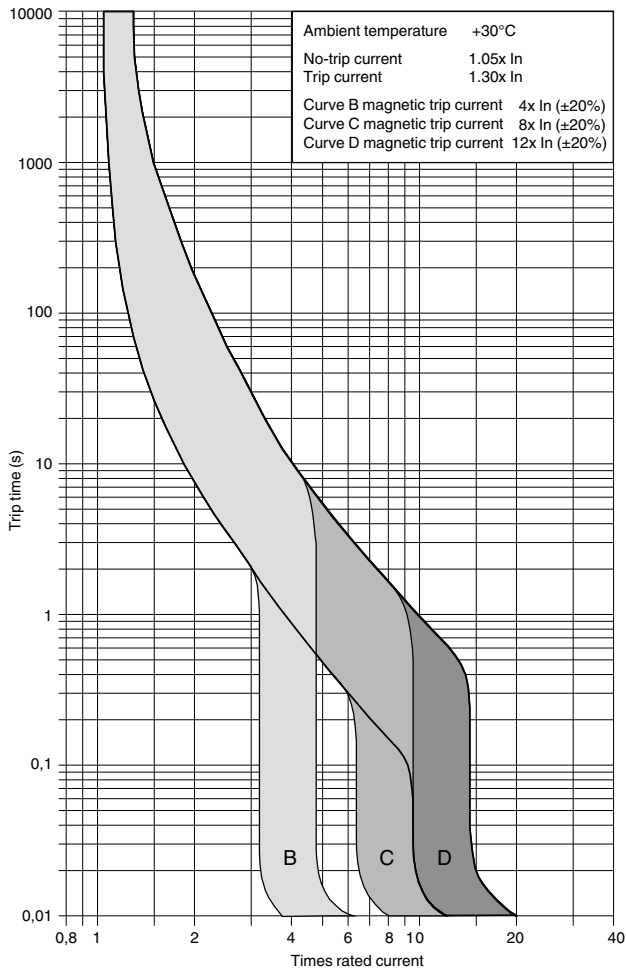


Figure 1 Trip curves



The current rating is reduced to 80% when mounted side by side.
 Magnetic tripping currents are increased by 30% on DC supplies (ambient temperature 30°C).

3.2 Current rating and voltage drop @ 25°C

| TMC ... I _N (A) | Voltage drop (V) |
|----------------------------|------------------|
| 1 | 1.50 |
| 2 | 0.80 |
| 3 | 0.60 |
| 4 | 0.60 |
| 5 | 0.20 |
| 6 | 0.20 |
| 7 | 0.20 |
| 8 | 0.15 |
| 10 | 0.15 |
| 12 | 0.15 |
| 13 | 0.10 |
| 15 | 0.10 |
| 16 | 0.10 |
| 20 | 0.08 |
| 25 | 0.08 |
| 30 | 0.07 |
| 32 | 0.07 |
| 35 | 0.07 |
| 40 | 0.07 |
| 50 | 0.06 |
| 60 | 0.06 |
| 63 | 0.06 |

3.3 Dimensions

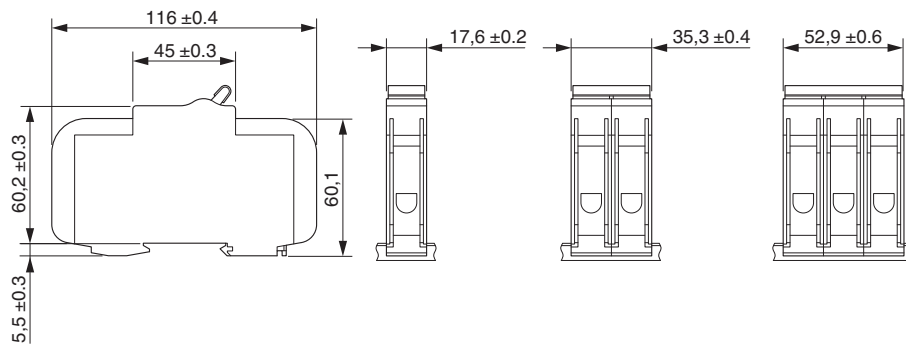


Figure 2 TMC 8... dimensions (mm)

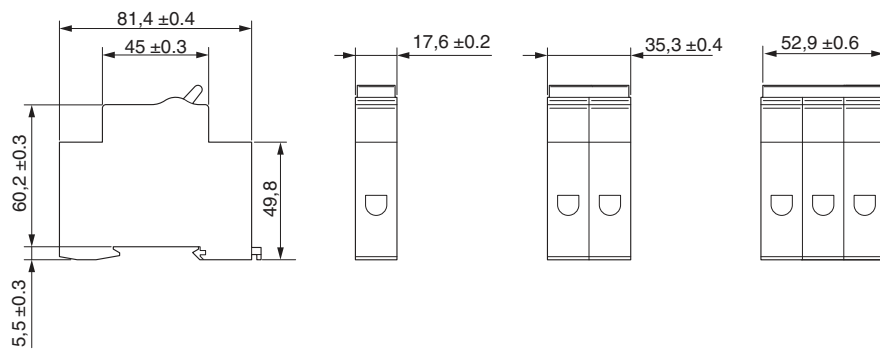


Figure 3 TMC 7... dimensions (mm)

3.4 Environmental influences

The following correction factors must be considered when selecting the appropriate nominal current rating for the circuit breaker.

| I _N (A) | Maximum operating currents (A) depending on ambient temperature (°C) | | | | | | | | | | | | | | | | | | | | | |
|-----------------------|--|-------|-------|-------|-------|-------|-------|-------|-------|-------|-------|-------|-------|-------|-------|-------|-------|-------|-------|-------|-------|-------|
| | -35 | -30 | -25 | -20 | -15 | -10 | -5 | 0 | +5 | +10 | +15 | +20 | +25 | +30 | +35 | +40 | +45 | +50 | +55 | +60 | +65 | +70 |
| 1 | 1.27 | 1.25 | 1.23 | 1.21 | 1.19 | 1.17 | 1.15 | 1.13 | 1.10 | 1.08 | 1.06 | 1.05 | 1.02 | 1.00 | 0.97 | 0.94 | 0.91 | 0.89 | 0.86 | 0.83 | 0.80 | 0.77 |
| 2 | 2.54 | 2.50 | 2.46 | 2.42 | 2.38 | 2.34 | 2.30 | 2.26 | 2.20 | 2.16 | 2.12 | 2.10 | 2.04 | 2.00 | 1.94 | 1.88 | 1.82 | 1.78 | 1.72 | 1.66 | 1.60 | 1.54 |
| 3 | 3.89 | 3.83 | 3.76 | 3.70 | 3.64 | 3.57 | 3.50 | 3.44 | 3.37 | 3.30 | 3.22 | 3.14 | 3.06 | 3.00 | 2.92 | 2.84 | 2.76 | 2.67 | 2.58 | 2.49 | 2.38 | 2.27 |
| 4 | 5.08 | 5.00 | 4.92 | 4.84 | 4.76 | 4.68 | 4.60 | 4.52 | 4.40 | 4.32 | 4.24 | 4.20 | 4.08 | 4.00 | 3.88 | 3.76 | 3.64 | 3.56 | 3.44 | 3.32 | 3.20 | 3.08 |
| 5 | 6.68 | 6.56 | 6.44 | 6.32 | 6.19 | 6.07 | 5.94 | 5.81 | 5.68 | 5.54 | 5.40 | 5.25 | 5.12 | 5.00 | 4.82 | 4.66 | 4.50 | 4.34 | 4.17 | 3.99 | 3.81 | 3.62 |
| 6 | 7.70 | 7.58 | 7.46 | 7.34 | 7.21 | 7.09 | 6.96 | 6.83 | 6.70 | 6.56 | 6.42 | 6.27 | 6.14 | 6.00 | 5.84 | 5.68 | 5.52 | 5.36 | 5.19 | 5.01 | 4.83 | 4.64 |
| 7 | 8.78 | 8.66 | 8.54 | 8.42 | 8.29 | 8.17 | 8.04 | 7.91 | 7.78 | 7.64 | 7.50 | 7.35 | 7.22 | 7.00 | 6.92 | 6.76 | 6.60 | 6.44 | 6.27 | 6.09 | 5.91 | 5.72 |
| 8 | 9.80 | 9.68 | 9.56 | 9.44 | 9.31 | 9.19 | 9.06 | 8.93 | 8.80 | 8.66 | 8.52 | 8.37 | 8.24 | 8.00 | 7.94 | 7.78 | 7.62 | 7.46 | 7.29 | 7.11 | 6.93 | 6.74 |
| 10 | 13.89 | 13.62 | 13.35 | 13.07 | 12.81 | 12.53 | 12.23 | 11.93 | 11.63 | 11.33 | 11.01 | 10.67 | 10.34 | 10.00 | 9.63 | 9.24 | 8.85 | 8.45 | 8.01 | 7.55 | 7.06 | 6.55 |
| 12 | 15.91 | 15.64 | 15.37 | 15.09 | 14.83 | 14.55 | 14.25 | 13.95 | 13.65 | 13.35 | 13.03 | 12.69 | 12.36 | 12.00 | 11.65 | 11.26 | 10.60 | 10.47 | 10.03 | 9.57 | 9.08 | 8.57 |
| 13 | 16.92 | 16.65 | 16.38 | 16.10 | 15.84 | 15.56 | 15.26 | 14.96 | 14.66 | 14.36 | 14.04 | 13.70 | 13.37 | 13.00 | 12.66 | 12.27 | 11.61 | 11.48 | 11.04 | 10.58 | 10.09 | 9.58 |
| 15 | 19.77 | 19.42 | 19.07 | 18.74 | 18.39 | 18.04 | 17.69 | 17.32 | 16.95 | 16.57 | 16.19 | 15.79 | 15.39 | 15.00 | 14.54 | 14.10 | 13.65 | 13.19 | 12.70 | 12.20 | 11.69 | 11.64 |
| 16 | 20.78 | 20.43 | 20.08 | 19.75 | 19.40 | 19.05 | 18.70 | 18.33 | 17.96 | 17.58 | 17.20 | 16.80 | 16.40 | 16.00 | 15.55 | 15.11 | 14.66 | 14.20 | 13.71 | 13.21 | 12.70 | 12.75 |
| 20 | 25.67 | 25.28 | 24.88 | 24.47 | 24.06 | 23.64 | 23.22 | 22.78 | 22.34 | 21.89 | 21.43 | 20.96 | 20.47 | 20.00 | 19.47 | 18.95 | 18.42 | 17.87 | 17.30 | 16.71 | 16.10 | 15.47 |
| 25 | 32.21 | 31.72 | 31.22 | 30.70 | 30.18 | 29.65 | 29.10 | 28.55 | 27.98 | 27.41 | 26.82 | 26.22 | 25.61 | 25.00 | 24.33 | 23.67 | 23.00 | 22.28 | 21.56 | 20.80 | 20.02 | 19.21 |
| 30 | 39.00 | 38.42 | 37.78 | 37.13 | 36.47 | 35.80 | 35.11 | 34.43 | 33.71 | 32.99 | 32.26 | 31.50 | 30.73 | 30.00 | 29.13 | 28.30 | 27.44 | 26.56 | 25.65 | 24.71 | 23.74 | 22.73 |
| 32 | 41.04 | 40.46 | 39.82 | 39.17 | 38.51 | 37.84 | 37.15 | 36.47 | 35.75 | 35.03 | 34.30 | 33.54 | 32.77 | 32.00 | 31.17 | 30.34 | 29.48 | 28.69 | 27.69 | 26.75 | 25.78 | 24.77 |
| 35 | 44.08 | 43.50 | 42.86 | 42.21 | 41.55 | 40.88 | 40.19 | 39.51 | 38.79 | 38.07 | 37.34 | 36.58 | 35.81 | 35.00 | 34.21 | 33.38 | 32.52 | 31.64 | 30.73 | 29.79 | 28.82 | 27.81 |
| 40 | 51.63 | 50.86 | 50.04 | 49.21 | 48.37 | 47.51 | 46.63 | 45.74 | 44.83 | 43.90 | 42.95 | 41.98 | 40.99 | 40.00 | 38.93 | 37.85 | 36.75 | 35.61 | 34.43 | 33.21 | 31.95 | 30.63 |
| 50 | 64.92 | 63.97 | 62.92 | 61.86 | 60.77 | 59.67 | 58.54 | 57.40 | 56.23 | 55.05 | 53.81 | 52.56 | 51.23 | 50.00 | 47.82 | 46.24 | 44.81 | 43.33 | 41.81 | 40.23 | 38.58 | 35.77 |
| 60 | 80.45 | 79.03 | 77.61 | 76.16 | 74.69 | 73.19 | 71.67 | 70.11 | 68.51 | 66.88 | 65.21 | 63.50 | 61.75 | 60.00 | 57.08 | 55.16 | 53.18 | 51.13 | 49.00 | 46.78 | 44.47 | 40.47 |
| 63 | 83.48 | 82.06 | 80.64 | 79.19 | 77.72 | 76.22 | 74.70 | 73.14 | 71.54 | 69.91 | 68.24 | 66.53 | 64.78 | 63.00 | 60.11 | 58.19 | 56.21 | 54.16 | 52.03 | 49.81 | 47.50 | 43.05 |

4 Circuit breaker installation



WARNING:
Always remove power before installing or performing maintenance.

4.1 Mounting

- Hook the device over the top edge of the DIN rail and rotate it down until it snaps onto the bottom edge of the rail.
Ensure that the orange DIN rail latch securely locks the device to the rail.
- Repeat for any additional devices.
- Slide the devices together into the desired configuration.

4.2 Removal

- Slide the device away to gain sufficient clearance from the next device.
- Use a screwdriver to raise the latch and release the unit from the bottom edge of the DIN rail.
- Rotate the device up and lift off of the top edge of the rail.

4.3 DC connection diagram

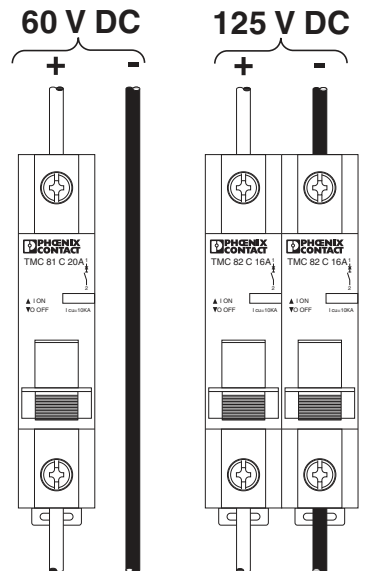


Figure 4 DC connection diagram

5 Accessories

Several accessories are available for use with the TMC 7/8... circuit breakers. The accessory modules are mounted on the left side (see Figure 10) of the circuit breaker. A variety of busbars are also available.

**NOTE:**

Accessory modules must be installed in the proper order: shunt trip, alarm contact, and then the auxiliary contact.



Figure 5 Busbar and other accessories

6 Ordering data for accessories

Accessories

| Description | Type | Order No. | Pcs./Pkt. |
|---|---------------------|-----------|-----------|
| Auxiliary contact, one NO and one NC switch | TMC 7/8 AUX | 2908219 | 1 |
| Alarm contact, one NO and one NC | TMC 7/8 ALARM | 2908220 | 1 |
| Shunt trip, 12 V DC, one NO and one NC | TMC 7/8 12VDC SHNT | 2908221 | 1 |
| Shunt trip, 24 V DC, one NO and one NC | TMC 7/8 24VDC SHNT | 2908222 | 1 |
| Shunt trip, 48 V DC, one NO and one NC | TMC 7/8 48VDC SHNT | 2908224 | 1 |
| Shunt trip, 125 V DC, one NO and one NC | TMC 7/8 125VDC SHNT | 2908225 | 1 |
| Shunt trip, 120 V AC, one NO and one NC | TMC 7/8 120VAC SHNT | 2908226 | 1 |
| Shunt trip, 240 V AC, one NO and one NC | TMC 7/8 240VAC SHNT | 2908227 | 1 |
| Shunt trip, 277 V AC, one NO and one NC | TMC 7/8 277VAC SHNT | 2908228 | 1 |
| Busbar, cut to length, for TMC 7... 1-pole applications, up to 57 positions, UL Listed | TMC 7 B1 80 57 C | 1022238 | 1 |
| Busbar, cut to length, for TMC 7... 1-pole plus auxiliary applications, up to 37 positions, UL Listed | TMC 7 B1 80 37 CA | 1022237 | 1 |
| Busbar, cut to length, for TMC 7... 2-pole applications, up to 56 positions, UL Listed | TMC 7 B2 80 56 C | 1022236 | 1 |
| Busbar, cut to length, for TMC 7... 2-pole plus auxiliary applications, up to 46 positions, UL Listed | TMC 7 B2 80 46 CA | 1022235 | 1 |
| Busbar, cut to length, for TMC 7... 3-pole applications, up to 57 positions, UL Listed | TMC 7 B3 80 57 C | 1022234 | 1 |
| Busbar, cut to length, for TMC 7... 3-pole plus auxiliary applications, up to 48 positions, UL Listed | TMC 7 B3 80 48 CA | 1025400 | 1 |
| Busbar terminal, 1-pole incoming connections, for TMC 7... | TMC 7 B1 TERM | 1022233 | 1 |
| Busbar terminal, 2- and 3-pole incoming connections, for TMC 7... | TMC 7 B2/3 TERM | 1022232 | 1 |
| Busbar, end cap, 1-pole, protects open busbar positions, for TMC 7... | TMC 7 B1 END CAP | 1022231 | 1 |
| Busbar, end cap, 2- and 3-pole, protects open busbar positions, for TMC 7... | TMC 7 B2/3 END CAP | 1022229 | 1 |
| Busbar, bus cap, protects three open busbar positions, for TMC 7... | TMC 7 B BUS CAP | 1022224 | 1 |
| Busbar, cut to length, for TMC 8... 1-pole applications, up to 57 positions, UL Listed | TMC 8 B1 80 57 C | 2907991 | 1 |
| Busbar, cut to length, for TMC 8... 1-pole plus auxiliary applications, up to 37 positions, UL Listed | TMC 8 B1 80 37 CA | 2907992 | 1 |
| Busbar, cut to length, for TMC 8... 2-pole applications, up to 56 positions, UL Listed | TMC 8 B2 80 56 C | 2907993 | 1 |
| Busbar, cut to length, for TMC 8... 2-pole plus auxiliary applications, up to 46 positions, UL Listed | TMC 8 B2 80 46 CA | 2907995 | 1 |
| Busbar, cut to length, for TMC 8... 3-pole applications, up to 57 positions, UL Listed | TMC 8 B3 80 57 C | 2907996 | 1 |
| Busbar, cut to length, for TMC 8... 3-pole plus auxiliary applications, up to 48 positions, UL Listed | TMC 8 B3 80 48 CA | 2907997 | 1 |
| Busbar terminal, incoming connections, TMC 8... | TMC 8 B TERM PIN | 2907998 | 1 |
| Busbar, end cap, protects open busbar positions, TMC 8... | TMC 8 B END CAP | 2907999 | 1 |
| Busbar, bus cap, protects three open busbar positions, TMC 8... | TMC 8 B BUS CAP | 2908000 | 1 |

7 Technical data for accessories

7.1 Technical data for TMC 7/8 AUX and TMC 7/8 ALARM accessories

General data (TMC 7/8 AUX and TMC 7/8 ALARM)

| | |
|--------------------------------------|--|
| Ambient temperature, operating | -35 ... 70°C (-31 ... 158°F) |
| Degree of protection | IP20 |
| Weight | 29 g (approximate) |
| Width | 9 mm |
| Installation | Left side of circuit breaker |
| Conductor cross section | 1 ... 35 mm ² /18 ... 2 AWG |
| Connection type | Screw-clamp terminals |
| Conductor tightening torque, maximum | 1 Nm (8.9 lb _f -in.) |
| Service life, mechanical | 20,000 cycles |

Electrical data (TMC 7/8 AUX and TMC 7/8 ALARM)

| | |
|--|--|
| Nominal voltage, U _N (IEC/EN 60947-5-1) | 12 V DC ... 220 V DC 12 V AC ... 277 V AC |
| Rated current (IEC/EN 60947-5-1) | |
| 240 V AC | 6 A |
| 24 V DC | 6 A |
| 48 V DC | 2 A |
| 130 V DC | 1 A |
| Rated current (UL 489) | |
| 12 ... 240 V AC | 6 A |
| 277 V AC | 3 A |
| 12 ... 24 V DC | 6 A |
| 48 V DC | 3A |
| 110 ... 220 V DC | 1.5 A |

General data (TMC 7/8...SHNT)

| | |
|--------------------------------------|--|
| Ambient temperature, operating | -35 ... 70°C (-31 ... 158°F) |
| Degree of protection | IP20 |
| Weight | 60 g (approximate) |
| Width | 18 mm |
| Installation | Left side of circuit breaker |
| Conductor cross section | 1 ... 35 mm ² /18 ... 2 AWG |
| Connection type | Screw-clamp terminals |
| Conductor tightening torque, maximum | 1 Nm (8.9 lb _f -in.) |
| Service life, mechanical | 20,000 cycles |

Electrical data (TMC 7/8...SHNT)

| | |
|--|---|
| Nominal voltage, U_N | 12 V DC ... 125 V DC 120 V AC ... 277 V AC |
| Trip voltage | |
| 277 V AC | 160 V AC |
| 240 V AC | 160 V AC |
| 120 V AC | 80 V AC |
| 125 V DC | 125 V DC |
| 48 V DC | 24 V DC |
| 24 V DC | 16 V DC |
| 12 V DC | 8 V DC |
| Power consumption/minimum response power | |
| 277 V AC | 240 W/35 W |
| 240 V AC | 200 W/35 W |
| 120 V AC | 200 W/35 W |
| 125 V DC | 200 W/30 VA |
| 48 V DC | 200 W/30 VA |
| 24 V DC | 200 W/30 VA |
| 12 V DC | 200 W/30 VA |
| Trip time | <10 ms |

7.2 Technical data for busbars and termination pins**General data (TMC 8 B...)**

| | |
|--------------------------------|------------------------------|
| Ambient temperature, operating | -35 ... 70°C (-31 ... 158°F) |
| Degree of protection | IP20 |
| Step size | 17.8 mm |
| Busbar cross section | 18 mm ² |

Electrical data (TMC 8 B...)

| | |
|---|--------------|
| Maximum voltage | |
| Single phase | 1000 V AC/DC |
| 2- and 3-phase | 600 V AC/DC |
| Rated current at 35°C (UL 489) | |
| Power supply at the end | 80 A |
| Power supply in the middle ¹ | 160 A |
| SCCR I_{CC} | 10 kA |

¹ Two 115 A TMC 8 B TERM PIN terminals required per phase

Electrical data (TMC 8 B TERM PIN)

| | |
|-----------------------------|--|
| Maximum voltage | 1000 V AC/DC |
| Maximum current | 115 A |
| Connection type | Screw clamp |
| Required conductor material | Cu |
| Conductor cross section | 2.5 ... 35 mm ² /14 ... 2 AWG |
| Tightening torque, maximum | 5.5 Nm (50 lb _f -in.) |

General data (TMC 7 B...)

| | |
|--------------------------------|------------------------------|
| Ambient temperature, operating | -35 ... 70°C (-31 ... 158°F) |
| Degree of protection | IP20 |
| Step size | 17.8 mm |
| Busbar cross section | 18 mm ² |

Electrical data (TMC 7 B...)

| | |
|---|--------------------|
| Maximum voltage | |
| Single phase | 600 V AC/1000 V DC |
| 2- and 3-phase | 600 V AC/DC |
| Rated current at 35°C (UL 508) | |
| Power supply at the end | 80 A |
| Power supply in the middle ¹ | 160 A |
| SCCR I _{CC} | 10 kA |

¹ Two 115 A TMC 7 B TERM PIN terminals required per phase

Electrical data (TMC 7 B TERM PIN)

| | |
|-----------------------------|--|
| Maximum voltage | 1000 V AC/DC |
| Maximum current | 115 A |
| Connection type | Screw clamp |
| Required conductor material | Cu |
| Conductor cross section | 6 ... 50 mm ² /10 ... 1/0 AWG |
| Tightening torque, maximum | 5.5 Nm (50 lb _f -in.) |

8 Accessory descriptions

8.1 Auxiliary contact (TMC 7/8 AUX)

The TMC 7/8 AUX is an add-on module, mounted on the left side of the TMC 7/8... when viewed from the front. The TMC 7/8 AUX acts as a signal contact and changes state with the actuation of TMC 7/8....

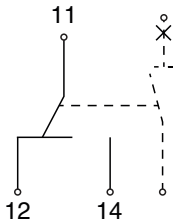


Figure 6 TMC 7/8 AUX schematic shown in off position

i After the TMC 7/8 AUX module is attached to the TMC 7/8... circuit breaker, terminals 11 and 14 are connected when the circuit breaker is in the “on” condition. Terminals 11 and 12 are connected when the circuit breaker is in the “off” condition.

8.2 Alarm contact (TMC 7/8 ALARM)

The TMC 7/8 ALARM is an add-on module mounted on the left side of the TMC 7/8... when viewed from the front. Once set in the on position, the TMC 7/8 ALARM acts as a signal contact and changes state when an electrical event occurs, such as an overload or short circuit, to the TMC 7/8....

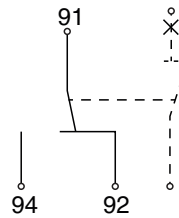


Figure 7 TMC 7/8 ALARM schematic shown in on position

i After the TMC 7/8 ALARM module is attached to the TMC 7/8... circuit breaker:

- Terminals 91 and 92 are connected when the circuit breaker is in the “on” condition.
- Terminals 91 and 94 are connected when the circuit breaker is tripped electronically.
- Terminals 91 and 92 are connected when the circuit breaker is tripped manually.
- At the same time, terminals 91 and 94 do not make contact.

8.3 Shunt trip (TMC 7/8...SHNT)

The TMC 7/8...SHNT is an add-on module, mounted on the left side of the TMC 7/8... when viewed from the front. The TMC 7/8... circuit breaker can be remotely tripped by applying the rated voltage pulse across terminals C1 and C2.

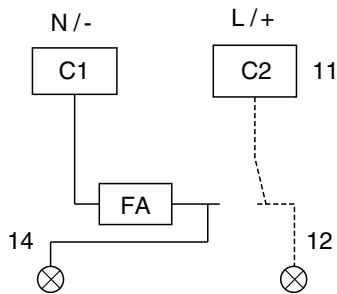


Figure 8 TMC 7/8 AUX schematic (shown in "off" position)

9 TMC 7/8 AUX / TMC 7/8 ALARM / TMC 7/8...SHNT installation



Installation is the same for all types of accessories. Images show TMC 8... products.

Circuit breaker preparation (Figure 9)

1. Remove the end pieces (1) from the TMC 7/8... by sliding it up and away from the center section (2) of the circuit breaker.

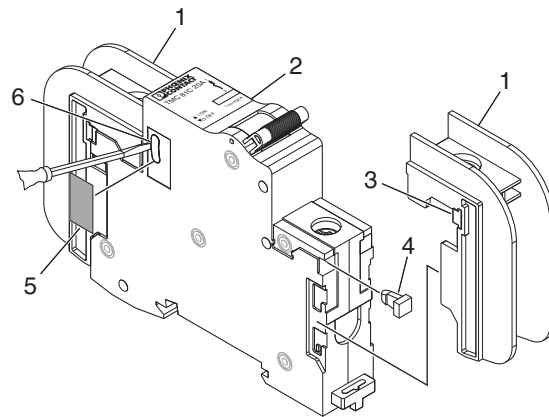


Figure 9 Removing tabs for accessory installation

2. Use a small pliers and break off the tabs (3) on each end piece.
3. Use a screwdriver to remove the two wedges (4) on the TMC 7/8....
4. Remove the tape seal (5) covering the electrical interface.
5. Use a screwdriver to break off the cover (6) over the latch insert point.
6. Do not install the end pieces (1) at this time.

Accessory installation (Figure 10)

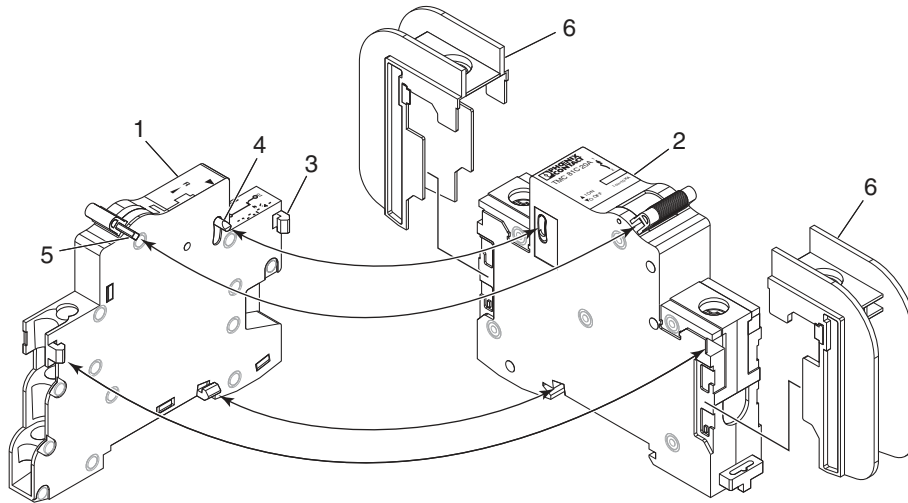


Figure 10 Accessory installation

1. Place the accessory (1) in position on the left side of the TMC 7/8... (2) making sure to align the locking clips (3), latch (4), and switch handle (5) with the TMC 7/8..., and then snap the accessory into place.
2. Reinstall the end pieces (6) previously removed (TMC 8... only).



NOTE:

The end pieces must be installed for the TMC 8... to maintain UL 489 compliance.

3. Install on the mounting rail, and connect wires, as required.

9.1 Busbars and related accessories

Busbars can be purchased for 1-, 2-, and 3-pole circuit breakers.



Busbars, terminals, and caps are specific to TMC 7... and TMC 8.... They are not interchangeable.
 Busbars with a descriptor of TMC...CA accommodate circuit breakers with TMC 7/8 AUX and TMC 7/8 ALARM installed.

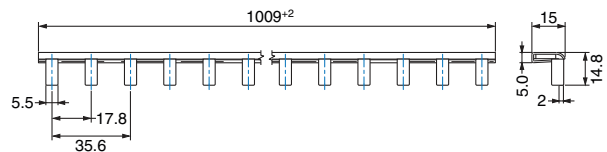


Figure 11 TMC 7...B1...C dimensions (mm)

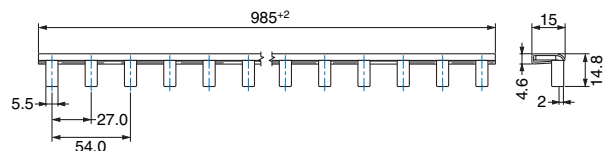


Figure 12 TMC 7...B1...CA dimensions (mm)

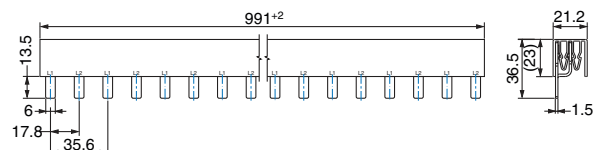


Figure 13 TMC 7...B2...C dimensions (mm)

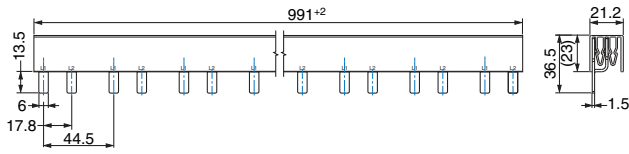


Figure 14 TMC 7...B2...CA dimensions (mm)

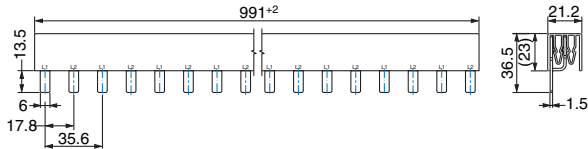


Figure 15 TMC 7...B3...C dimensions (mm)

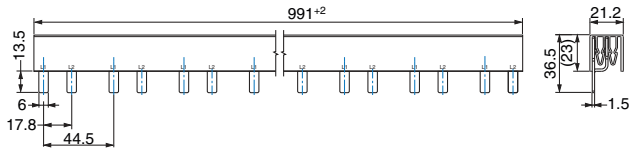


Figure 16 TMC 7...B3...CA dimensions (mm)

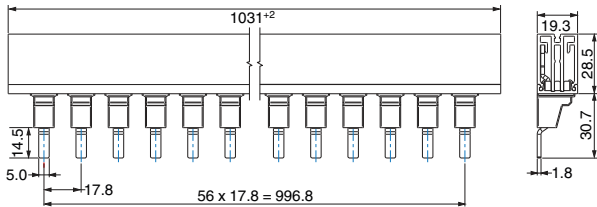


Figure 17 TMC 8...B1...C dimensions (mm)

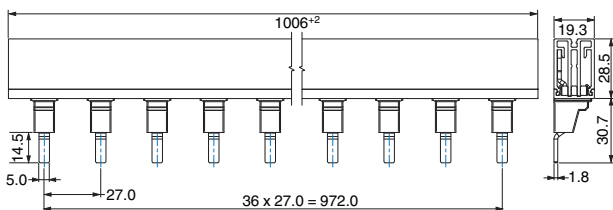


Figure 18 TMC 8...B1...CA dimensions (mm)

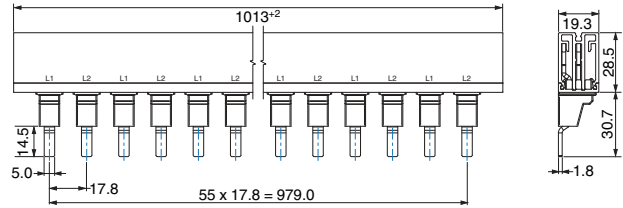


Figure 19 TMC 8...B2...C dimensions (mm)

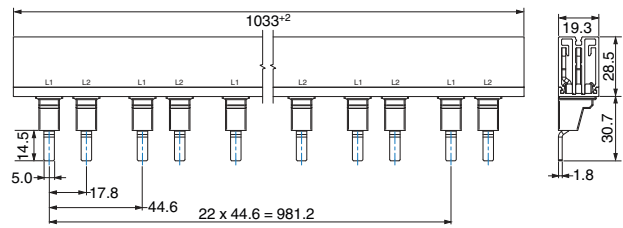


Figure 20 TMC 8...B2...CA dimensions (mm)

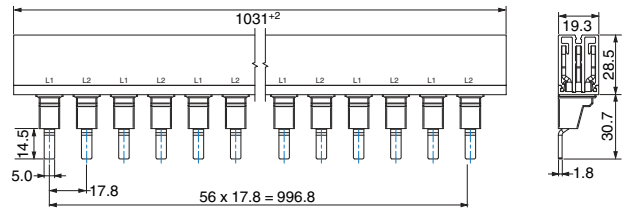


Figure 21 TMC 8...B3...C dimensions (mm)

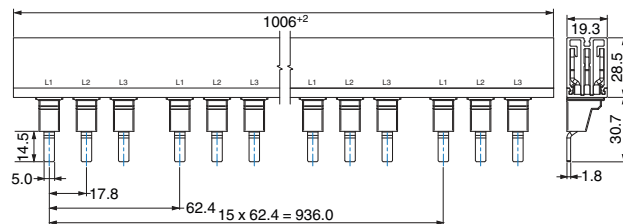


Figure 22 TMC 8...B3...CA dimensions (mm)

Busbars come in lengths of approximately 1000 mm and can be cut to the desired length. The TMC...B TERM PIN permits connection of wires to the busbar terminals; bus caps are available for protection and touch-free safety.

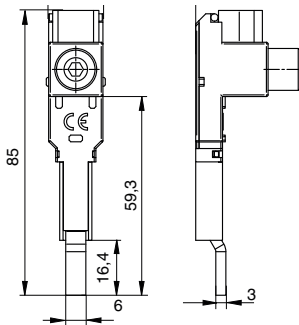


Figure 23 TMC 8 B TERM PIN dimensions (mm)

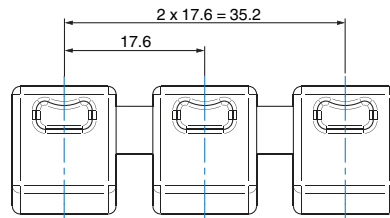
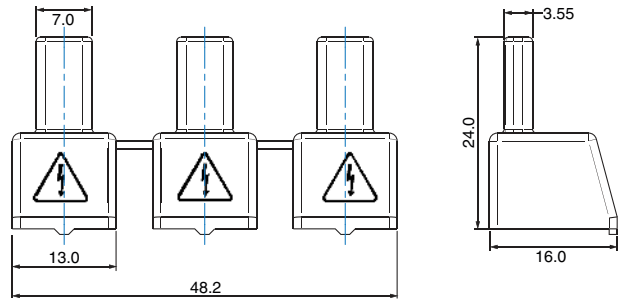


Figure 26 TMC 8 B BUS CAP dimensions

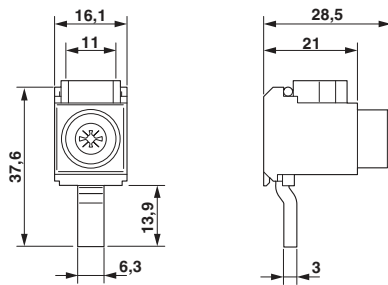


Figure 24 TMC 7 B TERM PIN dimensions

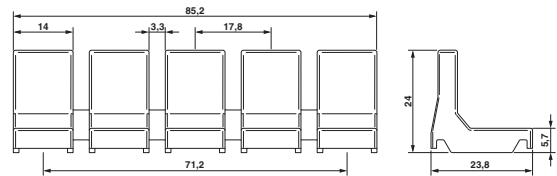


Figure 27 TMC 7B BUS CAP dimensions

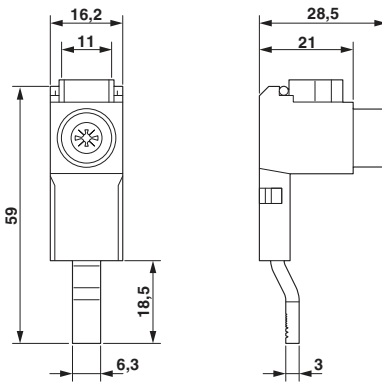


Figure 25 TMC 7 B2/3 TERM PIN dimensions

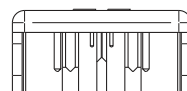
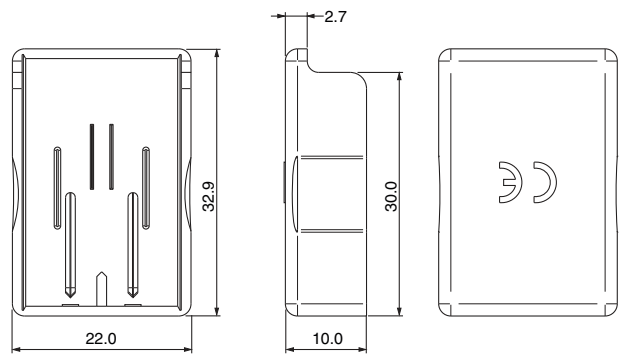


Figure 28 TMC 8 B END CAP dimensions

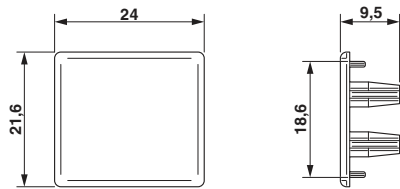


Figure 29 TMC 8 B2/3 END CAP dimensions

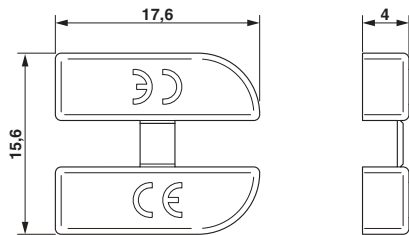


Figure 30 TMC 7 B1 END CAP dimensions

9.1.1 Busbar installation

The busbars must be cut to the desired length of the number of circuit breakers.



WARNING:

Always remove power before installing or performing maintenance.
Keep metal chips and filings clear of electrical contact points.

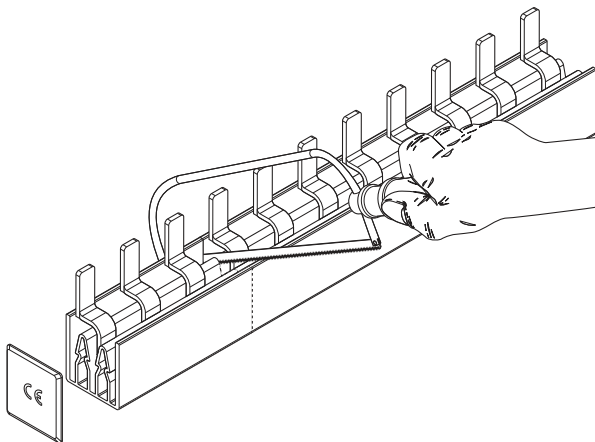


Figure 31 Busbar installation

1. Use a hacksaw or similar device to cut the busbar to the desired length. Match the number of circuit breakers plus the number of TMC ... B TERM PIN terminals to be installed.



For ease of cutting, the metal portion of the busbar may be removed from the insulation material, but it must be reinstalled correctly to maintain agency certification.

2. Use a wire brush or file to remove any burrs and sharp edges from the cut end of the bus bar. Remove any remaining particles using compressed air or a bristle brush.



NOTE:

Endcaps are recommended for use with all busbar installations.

3. Install end caps on both ends of the busbar.
4. Install the TMC ... B TERM PIN terminals.
5. Install busbar assembly and secure. Tighten to 5.5 Nm.