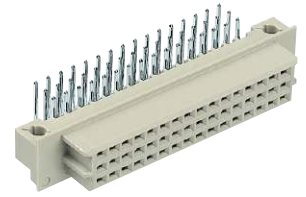


Number of contacts

# 48, 32

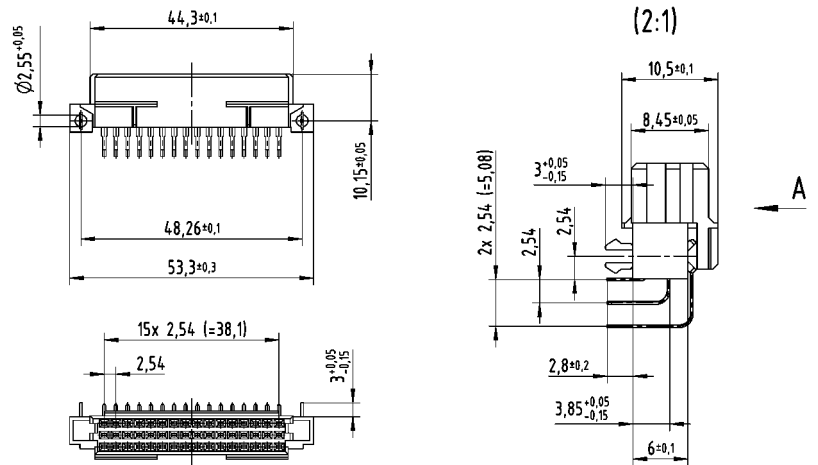


Female connectors

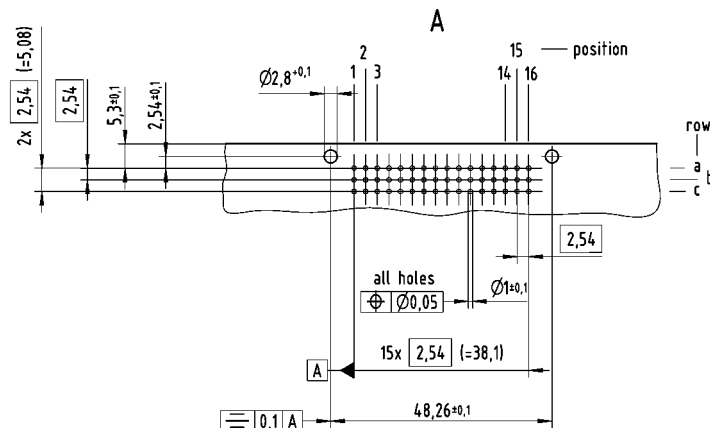
Identification	No. of contacts	Contact arrangement	Part number	Performance levels according to IEC 60603-2. Explanation chapter 00		
				3	2	1
Female connector with angled solder pins  THR  THR on a reel	48		Performance level 3 on request	09 28 248 6801 09 28 448 6801 <sup>b)</sup>	Performance level 1 on request	
	48			09 28 248 6804 <sup>d)</sup> 09 28 248 6804 791 <sup>d)</sup>		
	32			09 28 232 6801 09 28 432 6801 <sup>b)</sup>		

DIN Signal up to 2 A

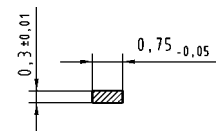
Dimensions



Board drillings  
Mounting side



Cross section of solder terminations



Cross area (A) of contacts row a, b, c:  
A = 0.20 - 0.23 mm<sup>2</sup>

Dimensions in mm

Other contact arrangements as well with lagging/leading pins on request

<sup>b)</sup> Connectors with snap-in clips see chapter 00

<sup>d)</sup> CTI > 400