

## 200mA PCI LDO

### Features:

- Glitch Free Transition Between Input Sources
- Automatic Input Source Selection
- External PMOS Bypass Switch Control
- Built-in 5V Detector
- 1% Regulated Output Voltage Accuracy
- 200mA Load Current Capability
- Kelvin Sense Input
- Low Dropout Voltage (240mV @ Full Load)
- Low Ground Current, Independent of Load

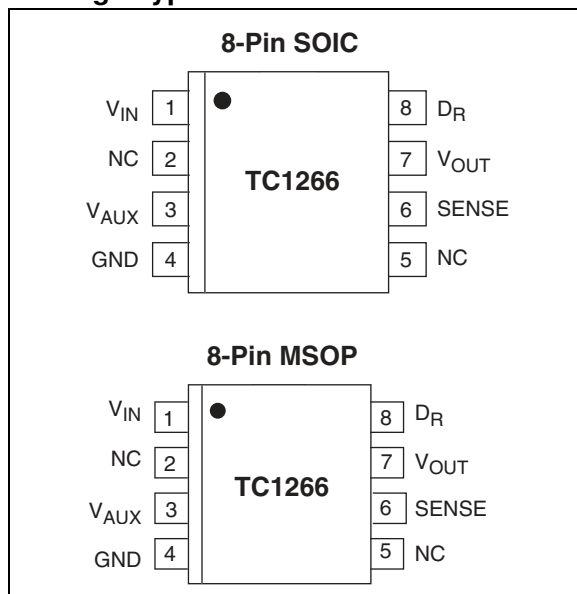
### Applications:

- PCMCIA
- PCI
- Network Interface Cards (NICs)
- Cardbus™ Technology

### Device Selection Table

| Part Number | Package             | Junction Temp. Range |
|-------------|---------------------|----------------------|
| TC1266VOA   | 8-Pin SOIC (Narrow) | -5°C to +125°C       |
| TC1266VUA   | 8-Pin MSOP          | -5°C to +125°C       |

### Package Type

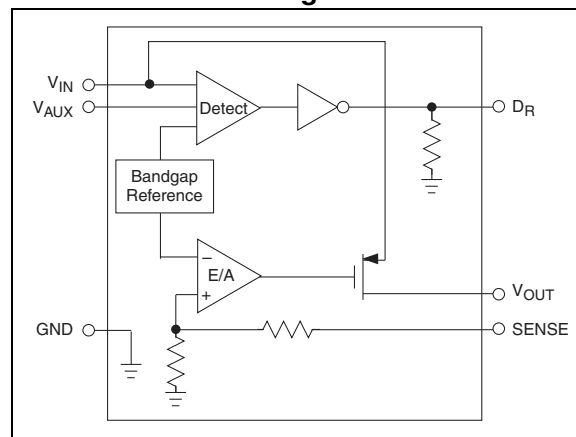


### General Description:

The TC1266 is an application-specific, low dropout regulator (LDO), specifically intended for use in PCI peripheral card applications complying with PCI Power Management (PCI 2.0). It provides an uninterrupted, 3.3V, 200mA (max) output voltage when the main (5V) or auxiliary (3.3V) input voltage supplies are present.

The TC1266 consists of an LDO, a voltage threshold detector, external switchover logic and gate drive circuitry. It functions as a conventional LDO as long as the voltage on the main supply input ( $V_{IN}$ ) is above the lower threshold (3.90V typical). Should the voltage on  $V_{IN}$  fall below the lower threshold, the LDO is disabled and an external P-channel MOSFET is automatically turned on, connecting the auxiliary supply input to  $V_{OUT}$ , and ensuring an uninterrupted 3.3V output. The main supply is automatically selected, if both the main and auxiliary input supplies are present, and transition from one input supply to the other is ensured glitch-free. High integration, automatic secondary supply switchover, Kelvin sensing, and small size make the TC1266 the optimum LDO for PCI 2.0 applications.

### Functional Block Diagram



# TC1266

## 1.0 ELECTRICAL CHARACTERISTICS

### Absolute Maximum Ratings\*

Input Supply Voltage ( $V_{IN}$ ).....-0.5V to +7V (Max)  
 Auxiliary Supply Voltage ( $V_{AUX}$ ) .....-0.5V to +7V (Max)  
 LDO Output Current ( $I_{OUT}$ ).....200mA  
 Thermal Impedance,  
 Junction-to-Ambient ( $\theta_{JA}$ )..... 130°C/W for SOIC  
 ESD Rating ..... 2 KV  
 Operating Temperature Range ( $T_A$ ).....-5°C to +70°C  
 Storage Temperature Range ( $T_{STG}$ )...-65°C to +150°C

\*Stresses above those listed under “Absolute Maximum Ratings” may cause permanent damage to the device. These are stress ratings only and functional operation of the device at these or any other conditions above those indicated in the operation sections of the specifications is not implied. Exposure to Absolute Maximum Rating conditions for extended periods may affect device reliability.

### TC1266 ELECTRICAL SPECIFICATIONS

**Electrical Characteristics:**  $T_A = +25^\circ\text{C}$ ,  $V_{IN} = 5\text{V}$ ,  $V_{AUX} = 3.3\text{V}$ ,  $I_{OUT} = 0.1\text{mA}$ ,  $C_{OUT} = 4.7\mu\text{F}$ , unless otherwise noted. **Boldface** type specifications apply over full operating temperature range.

| Symbol         | Parameter                      | Min.         | Typ.       | Max.         | Units         | Test Conditions  |
|----------------|--------------------------------|--------------|------------|--------------|---------------|--|
| $V_{IN}$       | Supply Voltage                 | <b>4.3</b>   | <b>5.0</b> | <b>5.5</b>   | V             | $V_{AUX} = 0\text{V}$  |
| $I_{GND}$      | Ground Current                 | —            | 230        | <b>450</b>   | $\mu\text{A}$ | $V_{AUX} = 0\text{V}$ ( <b>Note 6</b> )<br>$V_{AUX} = 3.3\text{V}$ ( <b>Note 6</b> )                           |
| $I_{VIN}$      | Reverse Leakage from $V_{AUX}$ | —            | -0.1       | <b>-1.0</b>  | $\mu\text{A}$ | $V_{AUX} = 3.6\text{V}$ , $V_{IN} = 0\text{V}$ , $I_{OUT} = 0\text{mA}$  |
| $V_{AUX}$      | Supply Voltage                 | <b>3.0</b>   | <b>3.3</b> | <b>3.6</b>   | V             |  |
| $I_{Q(AUX)}$   | Quiescent Current              | —            | 50         | 70           | $\mu\text{A}$ | $V_{IN} = 0\text{V}$ , $I_{OUT} = 0\text{mA}$  |
|                |                                | —            | —          | <b>100</b>   |               |  |
|                |                                | —            | 60         | 80           | $\mu\text{A}$ | $V_{IN} = 5\text{V}$ , $I_{OUT} = 0\text{mA}$  |
|                |                                | —            | —          | <b>120</b>   |               |  |
| $I_{VAUX}$     | Reverse Leakage from $V_{IN}$  | —            | -0.1       | <b>-1.0</b>  | $\mu\text{A}$ | $V_{IN} = 5.5\text{V}$ , $V_{AUX} = 0\text{V}$ , $I_{OUT} = 0\text{mA}$  |
| $V_{TH(LO)}$   | 5V Detector                    | —            | 3.90       | —            | V             | $V_{IN}$ Falling ( <b>Notes 2, 3</b> )   |
|                | Low Threshold Voltage          | <b>3.75</b>  | —          | <b>4.05</b>  |               |  |
| $V_{HYST}$     | 5V Detector                    | —            | 260        | —            | mV            | <b>(Notes 2, 3)</b>  |
|                | Hysteresis Voltage             | <b>200</b>   | —          | <b>300</b>   |               |  |
| $V_{TH(HI)}$   | 5V Detector                    | —            | 4.15       | —            | V             | $V_{IN}$ Rising ( <b>Notes 2, 3</b> )  |
|                | High Threshold Voltage         | <b>4.0</b>   | —          | <b>4.30</b>  |               |  |
| $V_{OUT}$      | LDO Output Voltage             | —            | 3.300      | —            | V             | $I_{OUT} = 20\text{mA}$  |
|                |                                | <b>3.234</b> | —          | <b>3.366</b> |               | $4.3\text{V} \leq V_{IN} \leq 5.5\text{V}$ , $0\text{mA} \leq I_{OUT} \leq 200\text{mA}$                       |
|                |                                | <b>3.000</b> | —          | —            |               | $3.75\text{V} \leq V_{IN} \leq 4.3\text{V}$ ,<br>$0\text{mA} \leq I_{OUT} \leq 200\text{mA}$ ( <b>Note 4</b> ) |
| $I_{OUT}$      | Output Current                 | 200          | —          | —            | mA            |  |
| $REG_{(LINE)}$ | Line Regulation                | —            | 0.05       | —            | %             | $V_{IN} = 4.3\text{V}$ to $5.5\text{V}$  |
|                |                                | <b>-0.5</b>  | —          | <b>0.5</b>   |               |  |
| $REG_{(LOAD)}$ | Load Regulation                | —            | 0.05       | —            | %             | $I_{OUT} = 0.1\text{mA}$ to $200\text{mA}$   |
|                |                                | <b>-0.5</b>  | —          | <b>0.5</b>   |               |  |

- Note**
- 1: Ensured by design.
  - 2: See 5V Detect Thresholds, Figure 4-1.
  - 3: Recommended source impedance for 5V supply:  $\leq 0.25\Omega$ . This will ensure that  $I_{OUT} \times R_{SOURCE} < V_{HYST}$ , thus avoiding  $D_R$  toggling during 5V detect threshold transitions.
  - 4: In Application Circuit, Figure 3-1.
  - 5: See Timing Diagram, Figure 4-2.
  - 6: Ground Current is independent of  $I_{LOAD}$ .

## TC1266 ELECTRICAL SPECIFICATIONS (CONTINUED)

**Electrical Characteristics:**  $T_A = +25^\circ\text{C}$ ,  $V_{IN} = 5\text{V}$ ,  $V_{AUX} = 3.3\text{V}$ ,  $I_{OUT} = 0.1\text{mA}$ ,  $C_{OUT} = 4.7\mu\text{F}$ , unless otherwise noted. **Boldface** type specifications apply over full operating temperature range.

| Symbol       | Parameter                        | Min.   | Typ.                | Max.              | Units           | Test Conditions   |
|--------------|----------------------------------|--|---------------------|-------------------|-----------------|---|
| $V_{DR}$     | Drive Voltage                    | $V_{IN} - 0.2$<br><b><math>V_{IN} - 0.3</math></b> | $V_{IN} - 0.1$<br>— | —<br>—            | V               | $4.3\text{V} \leq V_{IN} \leq 5.5\text{V}$ , $I_{DR} = 200\mu\text{A}$  |
|              |                                  | —<br>—   | 35<br>—             | 150<br><b>200</b> | mV              | $V_{IN} < V_{TH(LO)}$ , $I_{DR} = 200\mu\text{A}$   |
| $I_{DR(PK)}$ | Peak Drive Current               | 7<br><b>6</b>                                      | —<br>—              | —<br>—            | mA              | Sinking: $V_{IN} = 3.75\text{V}$ , $V_{DR} = 1\text{V}$ ;<br>Sourcing: $V_{IN} = 4.3\text{V}$ , $V_{IN} - V_{DR} = 2\text{V}$ |
| $t_{DH}$     | Drive High Delay<br>(Notes 1, 5) | —<br>—   | 4<br>—              | —<br><b>8</b>     | $\mu\text{sec}$ | $C_{DR} = 1.2\text{nF}$ , $V_{IN}$ ramping up,<br>measured from $V_{IN} = V_{TH(HI)}$ to $V_{DR} = 2\text{V}$                 |
| $t_{DL}$     | Drive Low Delay<br>(Notes 1, 5)  | —<br>—   | 0.6<br>—            | 1.5<br><b>3.0</b> | $\mu\text{sec}$ | $C_{DR} = 1.2\text{nF}$ , $V_{IN}$ ramping down,<br>measured from $V_{IN} = V_{TH(LO)}$ to $V_{DR} = 2\text{V}$               |

- Note**
- 1: Ensured by design.
  - 2: See 5V Detect Thresholds, Figure 4-1.
  - 3: Recommended source impedance for 5V supply:  $\leq 0.25\Omega$ . This will ensure that  $I_{OUT} \times R_{SOURCE} < V_{HYST}$ , thus avoiding  $D_R$  toggling during 5V detect threshold transitions.
  - 4: In Application Circuit, Figure 3-1.
  - 5: See Timing Diagram, Figure 4-2.
  - 6: Ground Current is independent of  $I_{LOAD}$ .

# TC1266

## 2.0 PIN DESCRIPTIONS

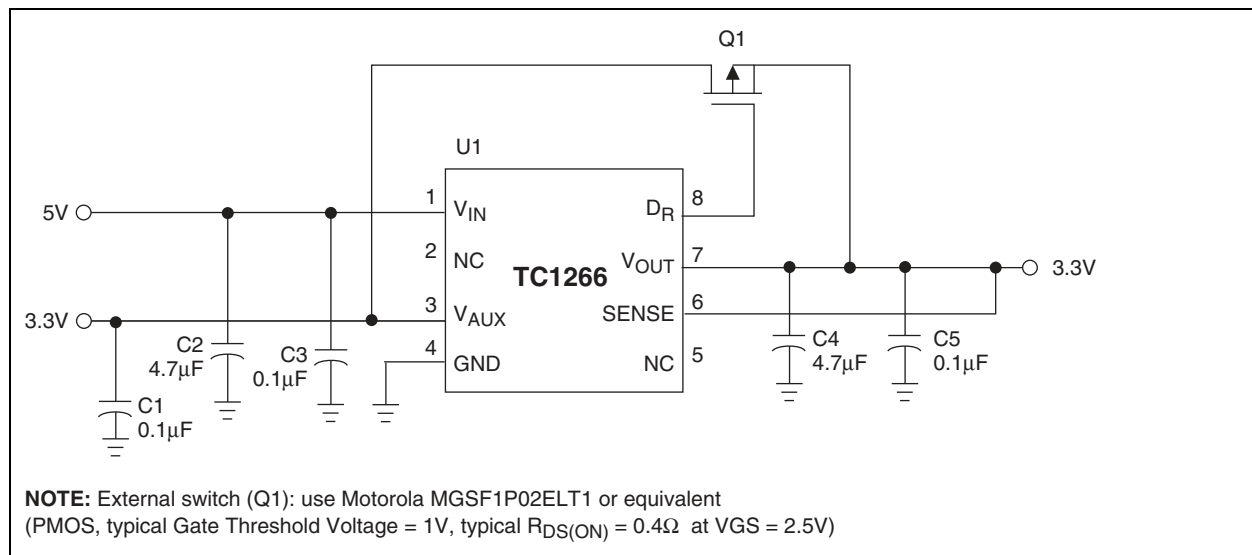
The descriptions of the pins are listed in Table 2-1.

**TABLE 2-1: PIN FUNCTION TABLE**

| Pin No.<br>(8-Pin SOIC)<br>(8-Pin MSOP) | Symbol    | Description  |
|---|-----------|--|
| 1                                       | $V_{IN}$  | Main input supply for the TC1266, nominally 5V.  |
| 2                                       | NC        | Not connected.   |
| 3                                       | $V_{AUX}$ | Auxiliary input supply, nominally 3.3V.  |
| 4                                       | GND       | Logic and power ground.  |
| 5                                       | NC        | Not connected.   |
| 6                                       | SENSE     | Sense pin for $V_{OUT}$ . Connect to $V_{OUT}$ at the load to minimize voltage drop across PCB traces. |
| 7                                       | $V_{OUT}$ | LDO 3.3V output.   |
| 8                                       | $D_R$     | Driver output for external P-channel MOSFET pass element.  |

## 3.0 DETAILED DESCRIPTION

**FIGURE 3-1: APPLICATION CIRCUIT**



## 4.0 THERMAL CONSIDERATIONS

### 4.1 Thermal Shutdown

Integrated thermal protection circuitry shuts the regulator off when die temperature exceeds 160°C. The regulator remains off until the die temperature drops to approximately 150°C.

### 4.2 Power Dissipation

The amount of power the regulator dissipates is primarily a function of input and output voltage, and output current. The following equation is used to calculate worst case actual power dissipation:

#### EQUATION 4-1:

$$P_D \approx (V_{INMAX} - V_{OUTMIN}) I_{LOADMAX}$$

Where:

$P_D$  = Worst case actual power dissipation  
 $V_{INMAX}$  = Maximum voltage on  $V_{IN}$   
 $V_{OUTMIN}$  = Minimum regulator output voltage  
 $I_{LOADMAX}$  = Maximum output (load) current

The maximum allowable power dissipation (Equation 4-2) is a function of the maximum ambient temperature ( $T_{AMAX}$ ), the maximum allowable die temperature ( $T_{JMAX}$ ) and the thermal resistance from junction-to-air ( $\theta_{JA}$ ).

#### EQUATION 4-2:

$$P_{DMAX} = \frac{(T_{JMAX} - T_{AMAX})}{\theta_{JA}}$$

Where all terms are previously defined.

Equation 4-1 can be used in conjunction with Equation 4-2 to ensure regulator thermal operation is within limits. For example:

Given:

$$V_{INMAX} = 5V \pm 5\%$$

$$V_{OUTMIN} = 3.217V$$

$$I_{LOADMAX} = 200mA$$

$$T_{JMAX} = 125^\circ C$$

$$T_{AMAX} = 70^\circ C$$

$$\theta_{JA} = 130^\circ C/W \text{ (SOIC)}$$

Find: 1. Actual power dissipation  
 2. Maximum allowable dissipation

Actual power dissipation:

$$\begin{aligned} P_D &\approx (V_{INMAX} - V_{OUTMIN}) I_{LOADMAX} \\ &= (5.25V - 3.217V) 200mA \\ &= 407mW \end{aligned}$$

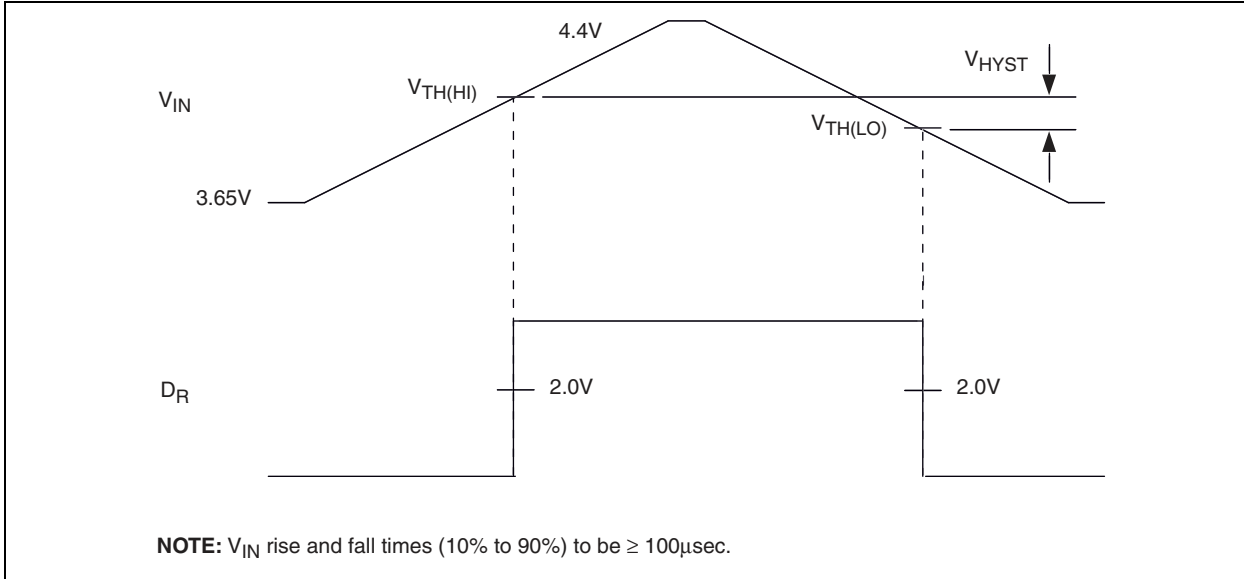
Maximum allowable power dissipation:

$$\begin{aligned} P_{DMAX} &= \frac{(T_{JMAX} - T_{AMAX})}{\theta_{JA}} \\ &= \frac{(125 - 70)}{130} \\ &= 423mW \end{aligned}$$

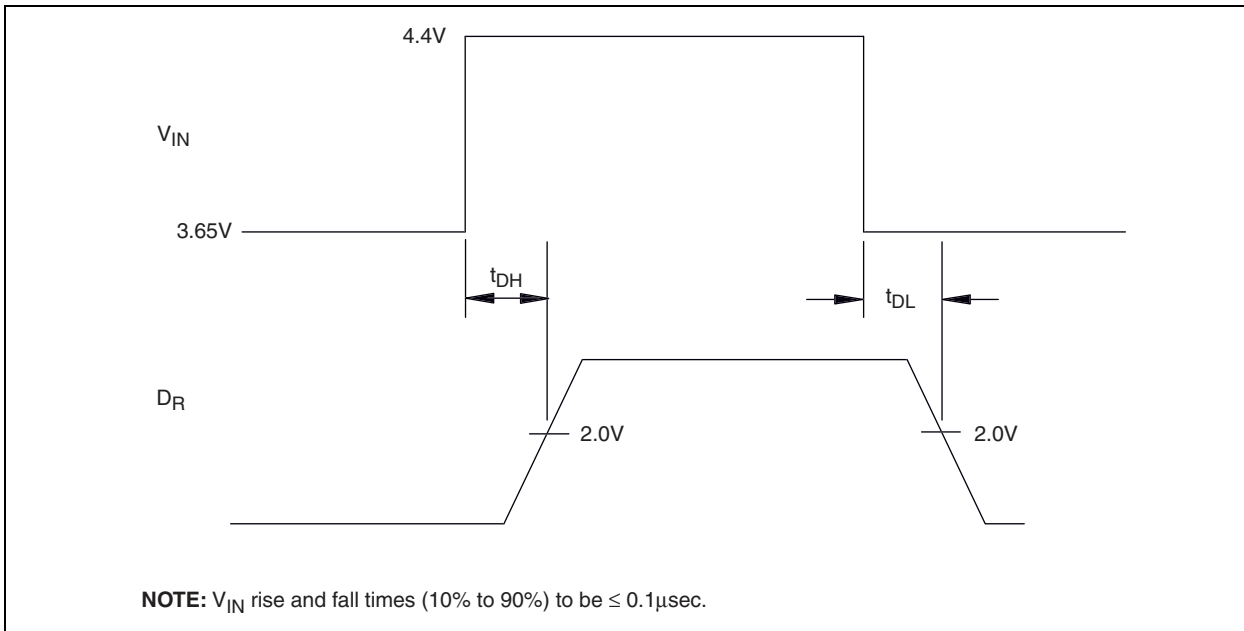
In this example, the TC1266 dissipates a maximum of 407mW; below the allowable limit of 423mW.

# TC1266

**FIGURE 4-1: 5V DETECT THRESHOLD**

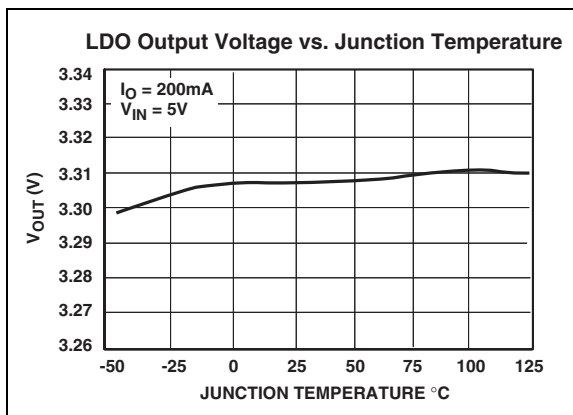
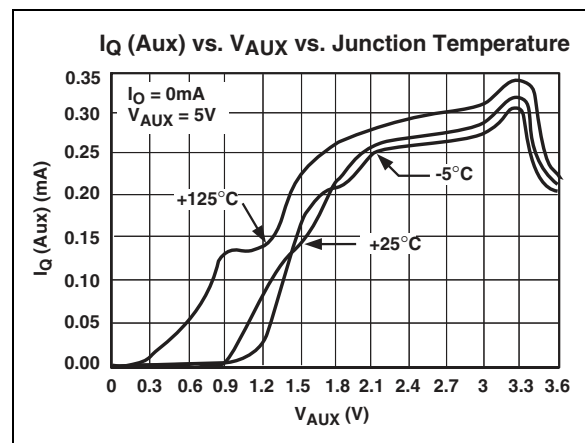
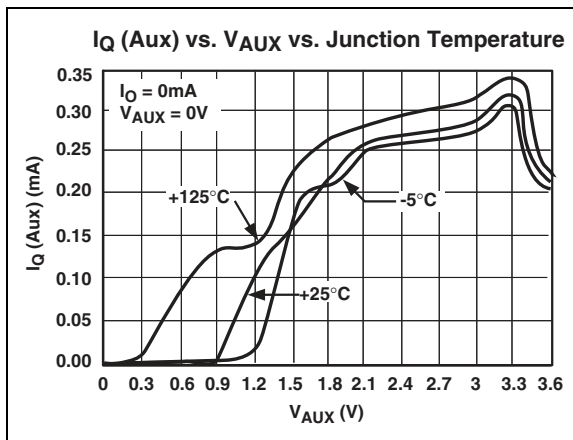
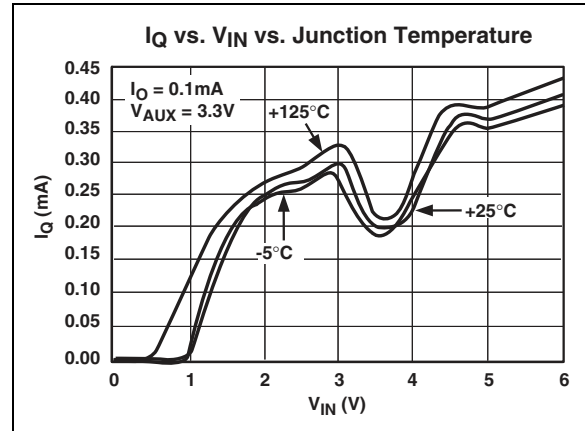
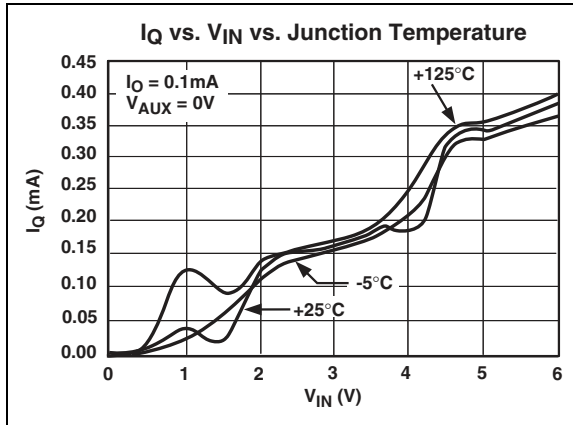


**FIGURE 4-2: TIMING DIAGRAM**



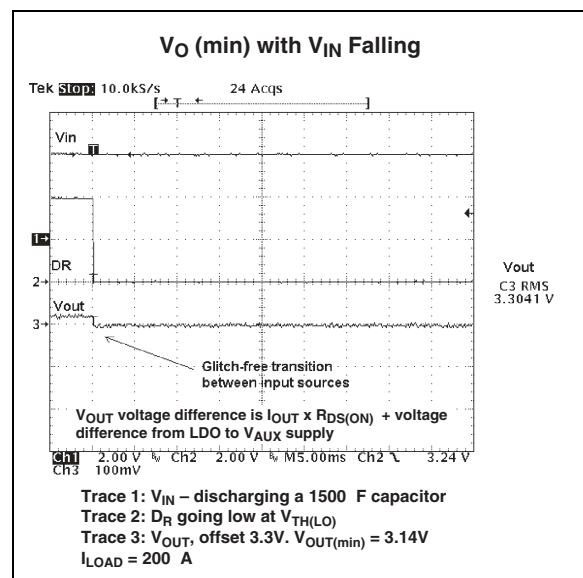
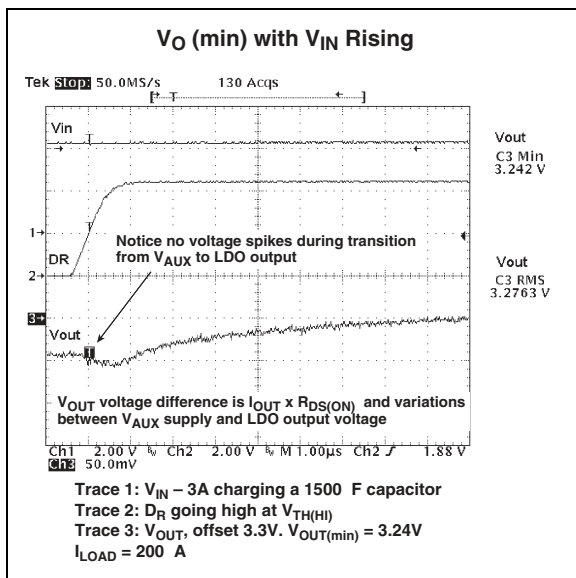
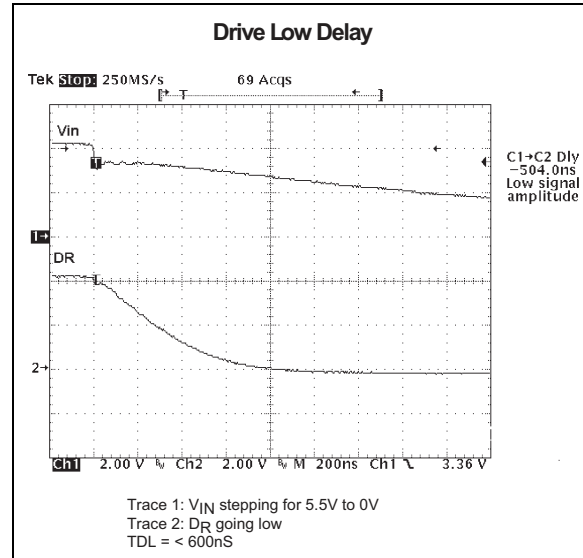
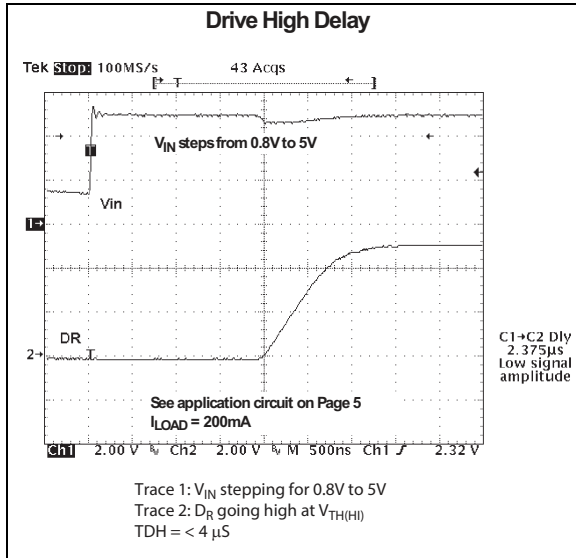
## 5.0 TYPICAL CHARACTERISTICS

**Note:** The graphs and tables provided following this note are a statistical summary based on a limited number of samples and are provided for informational purposes only. The performance characteristics listed herein are not tested or guaranteed. In some graphs or tables, the data presented may be outside the specified operating range (e.g., outside specified power supply range) and therefore outside the warranted range.



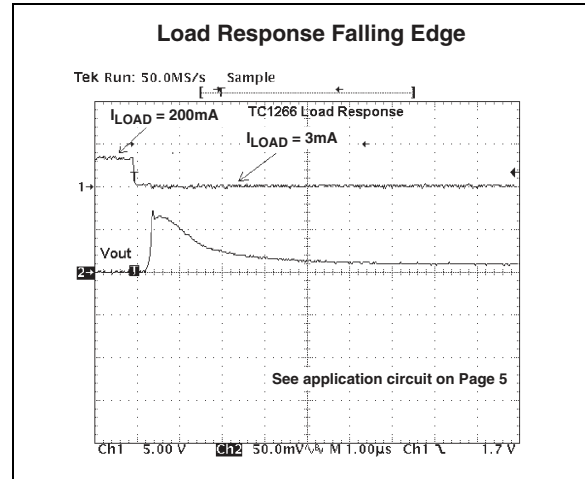
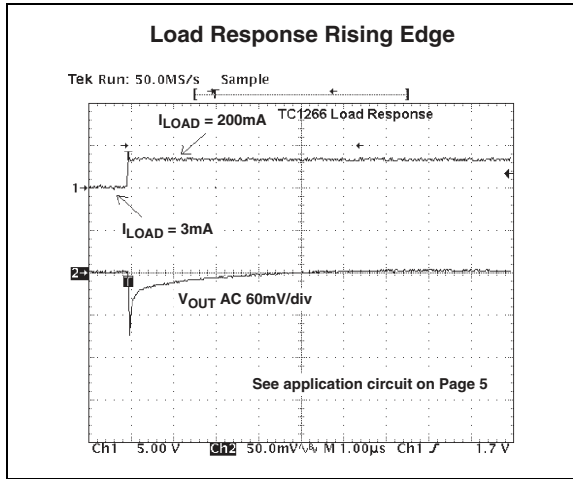
# TC1266

## 5.0 TYPICAL CHARACTERISTICS (CONTINUED)





## 5.0 TYPICAL CHARACTERISTICS (CONTINUED)



# TC1266

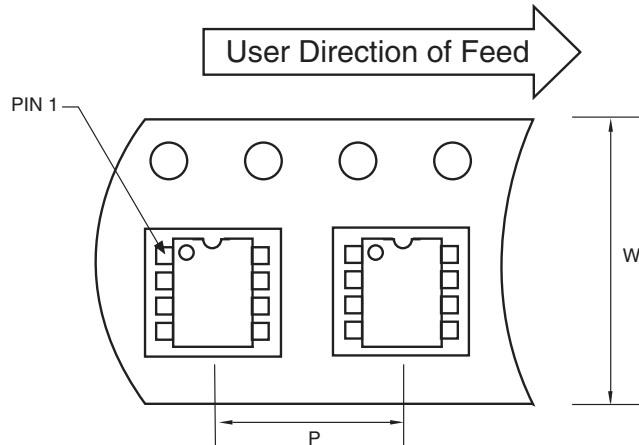
## 6.0 PACKAGING INFORMATION

### 6.1 Package Marking Information

Package marking data not available at this time.

### 6.2 Taping Form

#### Component Taping Orientation for 8-Pin MSOP Devices

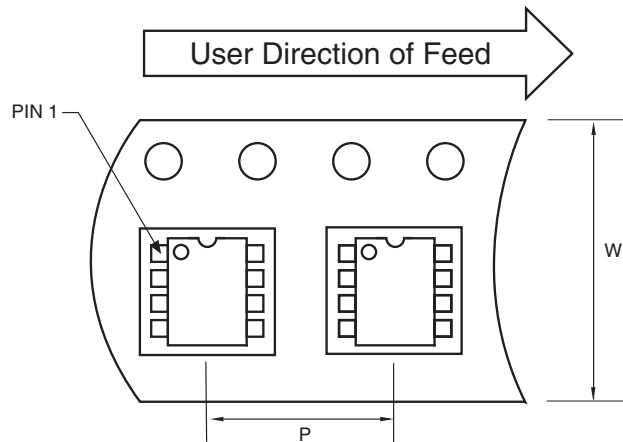


Standard Reel Component Orientation for TR Suffix Device

#### Carrier Tape, Number of Components Per Reel and Reel Size

| Package    | Carrier Width (W) | Pitch (P) | Part Per Full Reel | Reel Size |
|------------|-------------------|-----------|--------------------|-----------|
| 8-Pin MSOP | 12 mm             | 8 mm      | 2500               | 13 in     |

#### Component Taping Orientation for 8-Pin SOIC (Narrow) Devices



Standard Reel Component Orientation for TR Suffix Device

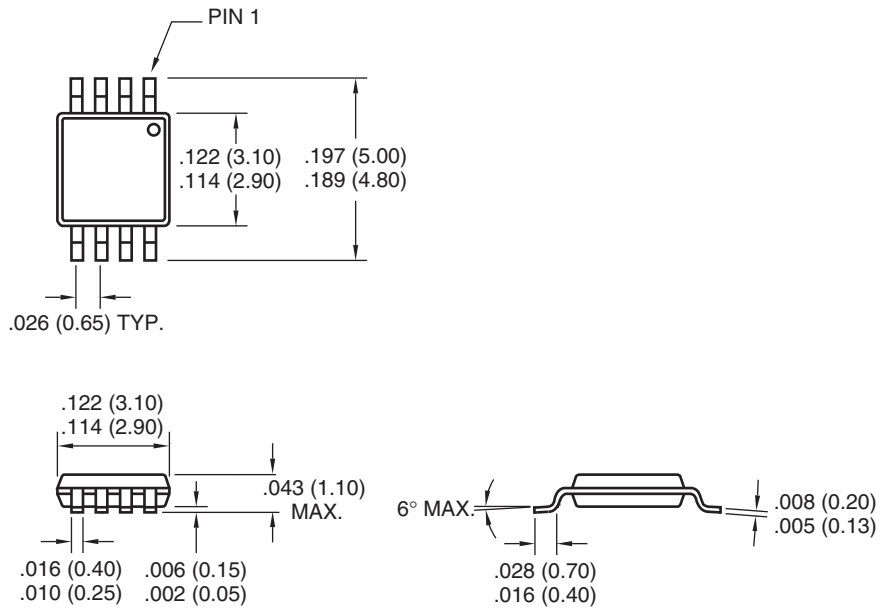
#### Carrier Tape, Number of Components Per Reel and Reel Size

| Package        | Carrier Width (W) | Pitch (P) | Part Per Full Reel | Reel Size |
|----------------|-------------------|-----------|--------------------|-----------|
| 8-Pin SOIC (N) | 12 mm             | 8 mm      | 2500               | 13 in     |

## 6.3 Package Dimensions

**Note:** For the most current package drawings, please see the Microchip Packaging Specification located at <http://www.microchip.com/packaging>

### 8-Pin MSOP

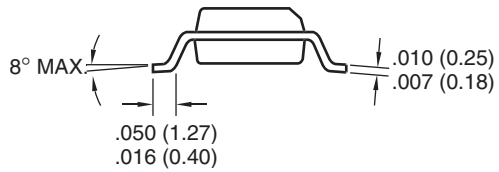
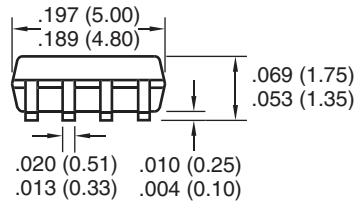
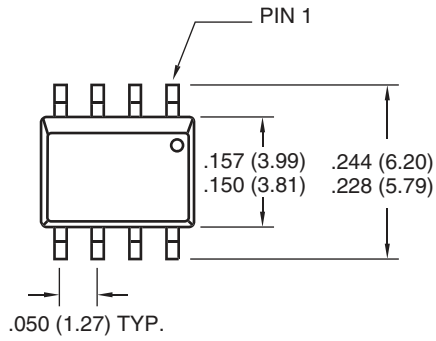


Dimensions: inches (mm)

# TC1266

**Note:** For the most current package drawings, please see the Microchip Packaging Specification located at <http://www.microchip.com/packaging>

## 8-Pin SOIC



Dimensions: inches (mm)

## 7.0 REVISION HISTORY

### **Revision C (November 2012)**

Added a note to each package outline drawing.

### **Revision D (December 2014)**

Added "Obsolete" note box to header.

# TC1266

---

---

NOTES:

## THE MICROCHIP WEB SITE

Microchip provides online support via our WWW site at [www.microchip.com](http://www.microchip.com). This web site is used as a means to make files and information easily available to customers. Accessible by using your favorite Internet browser, the web site contains the following information:

- **Product Support** – Data sheets and errata, application notes and sample programs, design resources, user's guides and hardware support documents, latest software releases and archived software
- **General Technical Support** – Frequently Asked Questions (FAQ), technical support requests, online discussion groups, Microchip consultant program member listing
- **Business of Microchip** – Product selector and ordering guides, latest Microchip press releases, listing of seminars and events, listings of Microchip sales offices, distributors and factory representatives

## CUSTOMER CHANGE NOTIFICATION SERVICE

Microchip's customer notification service helps keep customers current on Microchip products. Subscribers will receive e-mail notification whenever there are changes, updates, revisions or errata related to a specified product family or development tool of interest.

To register, access the Microchip web site at [www.microchip.com](http://www.microchip.com). Under "Support", click on "Customer Change Notification" and follow the registration instructions.

## CUSTOMER SUPPORT

Users of Microchip products can receive assistance through several channels:

- Distributor or Representative
- Local Sales Office
- Field Application Engineer (FAE)
- Technical Support

Customers should contact their distributor, representative or Field Application Engineer (FAE) for support. Local sales offices are also available to help customers. A listing of sales offices and locations is included in the back of this document.

**Technical support is available through the web site at: <http://microchip.com/support>**

# TC1266

---

NOTES:



---

---

**Note the following details of the code protection feature on Microchip devices:**

- Microchip products meet the specification contained in their particular Microchip Data Sheet.
- Microchip believes that its family of products is one of the most secure families of its kind on the market today, when used in the intended manner and under normal conditions.
- There are dishonest and possibly illegal methods used to breach the code protection feature. All of these methods, to our knowledge, require using the Microchip products in a manner outside the operating specifications contained in Microchip's Data Sheets. Most likely, the person doing so is engaged in theft of intellectual property.
- Microchip is willing to work with the customer who is concerned about the integrity of their code.
- Neither Microchip nor any other semiconductor manufacturer can guarantee the security of their code. Code protection does not mean that we are guaranteeing the product as “unbreakable.”

Code protection is constantly evolving. We at Microchip are committed to continuously improving the code protection features of our products. Attempts to break Microchip's code protection feature may be a violation of the Digital Millennium Copyright Act. If such acts allow unauthorized access to your software or other copyrighted work, you may have a right to sue for relief under that Act.

---

Information contained in this publication regarding device applications and the like is provided only for your convenience and may be superseded by updates. It is your responsibility to ensure that your application meets with your specifications. MICROCHIP MAKES NO REPRESENTATIONS OR WARRANTIES OF ANY KIND WHETHER EXPRESS OR IMPLIED, WRITTEN OR ORAL, STATUTORY OR OTHERWISE, RELATED TO THE INFORMATION, INCLUDING BUT NOT LIMITED TO ITS CONDITION, QUALITY, PERFORMANCE, MERCHANTABILITY OR FITNESS FOR PURPOSE. Microchip disclaims all liability arising from this information and its use. Use of Microchip devices in life support and/or safety applications is entirely at the buyer's risk, and the buyer agrees to defend, indemnify and hold harmless Microchip from any and all damages, claims, suits, or expenses resulting from such use. No licenses are conveyed, implicitly or otherwise, under any Microchip intellectual property rights.

#### **Trademarks**

The Microchip name and logo, the Microchip logo, dsPIC, FlashFlex, flexPWR, JukeBlox, KEELOQ, KEELOQ logo, Klear, LANCheck, MediaLB, MOST, MOST logo, MPLAB, OptoLyzer, PIC, PICSTART, PIC<sup>32</sup> logo, RightTouch, SpyNIC, SST, SST Logo, SuperFlash and UNI/O are registered trademarks of Microchip Technology Incorporated in the U.S.A. and other countries.

The Embedded Control Solutions Company and mTouch are registered trademarks of Microchip Technology Incorporated in the U.S.A.

Analog-for-the-Digital Age, BodyCom, chipKIT, chipKIT logo, CodeGuard, dsPICDEM, dsPICDEM.net, ECAN, In-Circuit Serial Programming, ICSP, Inter-Chip Connectivity, KlearNet, KlearNet logo, MiWi, MPASM, MPF, MPLAB Certified logo, MPLIB, MPLINK, MultiTRAK, NetDetach, Omniscient Code Generation, PICDEM, PICDEM.net, PICkit, PICtail, RightTouch logo, REAL ICE, SQI, Serial Quad I/O, Total Endurance, TSHARC, USBCheck, VariSense, ViewSpan, WiperLock, Wireless DNA, and ZENA are trademarks of Microchip Technology Incorporated in the U.S.A. and other countries.

SQTP is a service mark of Microchip Technology Incorporated in the U.S.A.

Silicon Storage Technology is a registered trademark of Microchip Technology Inc. in other countries.

GestIC is a registered trademarks of Microchip Technology Germany II GmbH & Co. KG, a subsidiary of Microchip Technology Inc., in other countries.

All other trademarks mentioned herein are property of their respective companies.

© 2001-2014, Microchip Technology Incorporated, Printed in the U.S.A., All Rights Reserved.

ISBN: 978-1-63276-849-0

**QUALITY MANAGEMENT SYSTEM**  
**CERTIFIED BY DNV**  
**== ISO/TS 16949 ==**

*Microchip received ISO/TS-16949:2009 certification for its worldwide headquarters, design and wafer fabrication facilities in Chandler and Tempe, Arizona; Gresham, Oregon and design centers in California and India. The Company's quality system processes and procedures are for its PIC® MCUs and dsPIC® DSCs, KEELOQ® code hopping devices, Serial EEPROMs, microperipherals, nonvolatile memory and analog products. In addition, Microchip's quality system for the design and manufacture of development systems is ISO 9001:2000 certified.*



# MICROCHIP

## Worldwide Sales and Service

### AMERICAS

**Corporate Office**  
2355 West Chandler Blvd.  
Chandler, AZ 85224-6199  
Tel: 480-792-7200  
Fax: 480-792-7277  
Technical Support:  
<http://www.microchip.com/support>  
Web Address:  
[www.microchip.com](http://www.microchip.com)

**Atlanta**  
Duluth, GA  
Tel: 678-957-9614  
Fax: 678-957-1455

**Austin, TX**  
Tel: 512-257-3370

**Boston**  
Westborough, MA  
Tel: 774-760-0087  
Fax: 774-760-0088

**Chicago**  
Itasca, IL  
Tel: 630-285-0071  
Fax: 630-285-0075

**Cleveland**  
Independence, OH  
Tel: 216-447-0464  
Fax: 216-447-0643

**Dallas**  
Addison, TX  
Tel: 972-818-7423  
Fax: 972-818-2924

**Detroit**  
Novi, MI  
Tel: 248-848-4000

**Houston, TX**  
Tel: 281-894-5983

**Indianapolis**  
Noblesville, IN  
Tel: 317-773-8323  
Fax: 317-773-5453

**Los Angeles**  
Mission Viejo, CA  
Tel: 949-462-9523  
Fax: 949-462-9608

**New York, NY**  
Tel: 631-435-6000

**San Jose, CA**  
Tel: 408-735-9110

**Canada - Toronto**  
Tel: 905-673-0699  
Fax: 905-673-6509

### ASIA/PACIFIC

**Asia Pacific Office**  
Suites 3707-14, 37th Floor  
Tower 6, The Gateway  
Harbour City, Kowloon  
Hong Kong  
Tel: 852-2943-5100  
Fax: 852-2401-3431

**Australia - Sydney**  
Tel: 61-2-9868-6733  
Fax: 61-2-9868-6755

**China - Beijing**  
Tel: 86-10-8569-7000  
Fax: 86-10-8528-2104

**China - Chengdu**  
Tel: 86-28-8665-5511  
Fax: 86-28-8665-7889

**China - Chongqing**  
Tel: 86-23-8980-9588  
Fax: 86-23-8980-9500

**China - Hangzhou**  
Tel: 86-571-8792-8115  
Fax: 86-571-8792-8116

**China - Hong Kong SAR**  
Tel: 852-2943-5100  
Fax: 852-2401-3431

**China - Nanjing**  
Tel: 86-25-8473-2460  
Fax: 86-25-8473-2470

**China - Qingdao**  
Tel: 86-532-8502-7355  
Fax: 86-532-8502-7205

**China - Shanghai**  
Tel: 86-21-5407-5533  
Fax: 86-21-5407-5066

**China - Shenyang**  
Tel: 86-24-2334-2829  
Fax: 86-24-2334-2393

**China - Shenzhen**  
Tel: 86-755-8864-2200  
Fax: 86-755-8203-1760

**China - Wuhan**  
Tel: 86-27-5980-5300  
Fax: 86-27-5980-5118

**China - Xian**  
Tel: 86-29-8833-7252  
Fax: 86-29-8833-7256

**China - Xiamen**  
Tel: 86-592-2388138  
Fax: 86-592-2388130

**China - Zhuhai**  
Tel: 86-756-3210040  
Fax: 86-756-3210049

### ASIA/PACIFIC

**India - Bangalore**  
Tel: 91-80-3090-4444  
Fax: 91-80-3090-4123

**India - New Delhi**  
Tel: 91-11-4160-8631  
Fax: 91-11-4160-8632

**India - Pune**  
Tel: 91-20-3019-1500

**Japan - Osaka**  
Tel: 81-6-6152-7160  
Fax: 81-6-6152-9310

**Japan - Tokyo**  
Tel: 81-3-6880-3770  
Fax: 81-3-6880-3771

**Korea - Daegu**  
Tel: 82-53-744-4301  
Fax: 82-53-744-4302

**Korea - Seoul**  
Tel: 82-2-554-7200  
Fax: 82-2-558-5932 or  
82-2-558-5934

**Malaysia - Kuala Lumpur**  
Tel: 60-3-6201-9857  
Fax: 60-3-6201-9859

**Malaysia - Penang**  
Tel: 60-4-227-8870  
Fax: 60-4-227-4068

**Philippines - Manila**  
Tel: 63-2-634-9065  
Fax: 63-2-634-9069

**Singapore**  
Tel: 65-6334-8870  
Fax: 65-6334-8850

**Taiwan - Hsin Chu**  
Tel: 886-3-5778-366  
Fax: 886-3-5770-955

**Taiwan - Kaohsiung**  
Tel: 886-7-213-7830

**Taiwan - Taipei**  
Tel: 886-2-2508-8600  
Fax: 886-2-2508-0102

**Thailand - Bangkok**  
Tel: 66-2-694-1351  
Fax: 66-2-694-1350

### EUROPE

**Austria - Wels**  
Tel: 43-7242-2244-39  
Fax: 43-7242-2244-393

**Denmark - Copenhagen**  
Tel: 45-4450-2828  
Fax: 45-4485-2829

**France - Paris**  
Tel: 33-1-69-53-63-20  
Fax: 33-1-69-30-90-79

**Germany - Dusseldorf**  
Tel: 49-2129-3766400

**Germany - Munich**  
Tel: 49-89-627-144-0  
Fax: 49-89-627-144-44

**Germany - Pforzheim**  
Tel: 49-7231-424750

**Italy - Milan**  
Tel: 39-0331-742611  
Fax: 39-0331-466781

**Italy - Venice**  
Tel: 39-049-7625286

**Netherlands - Drunen**  
Tel: 31-416-690399  
Fax: 31-416-690340

**Poland - Warsaw**  
Tel: 48-22-3325737

**Spain - Madrid**  
Tel: 34-91-708-08-90  
Fax: 34-91-708-08-91

**Sweden - Stockholm**  
Tel: 46-8-5090-4654

**UK - Wokingham**  
Tel: 44-118-921-5800  
Fax: 44-118-921-5820

03/25/14