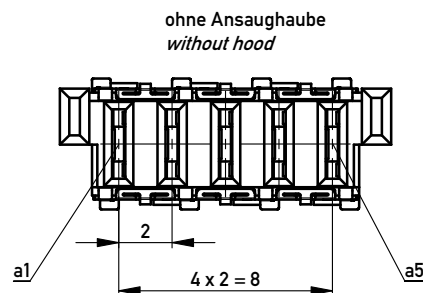
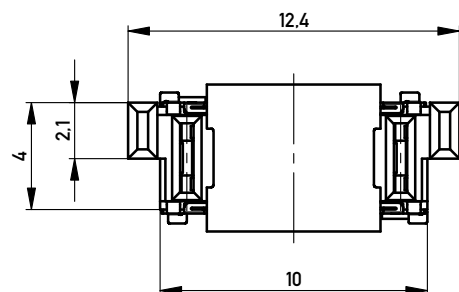
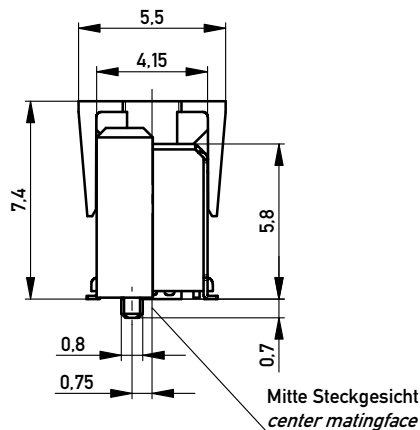
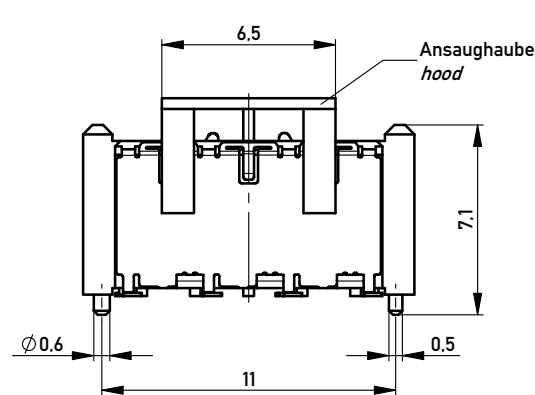
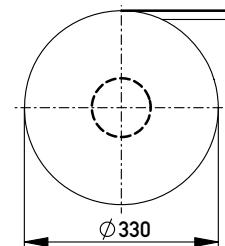
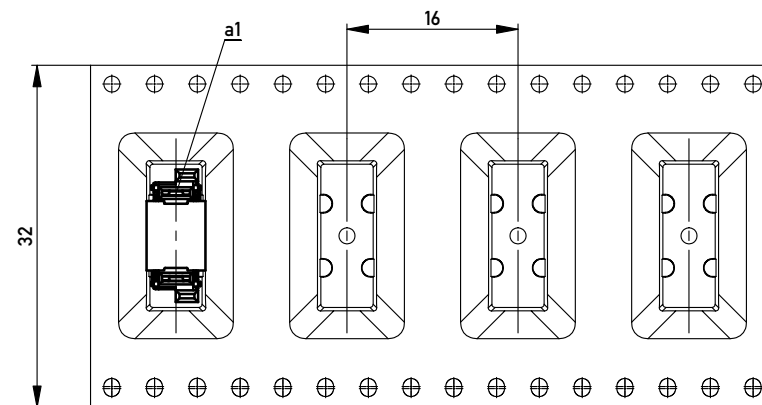


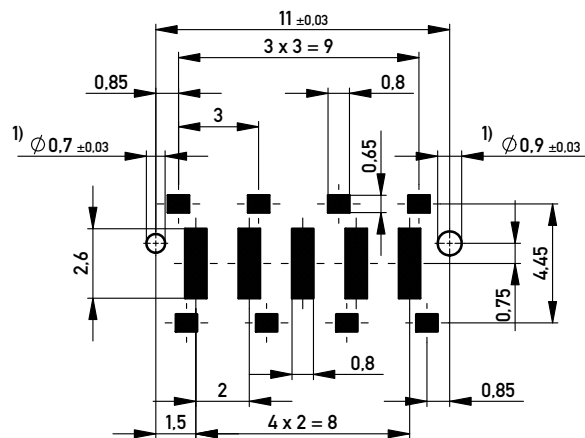
Verpackt in Gurtverpackung  
Tape on Reel Packaging  
Verpackungseinheit: 400 Stück  
Packaging unit: 400 pcs



Abspulrichtung - Reel off Direction



Leiterplatten-Layout Vorschlag / PCB-layout proposal



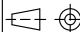

1) Durchmesser des Bohrers / Drill tool

Anforderungsstufe 1  
Performance Level 1

Kontaktbereich vergoldet  
Mating Area gold plating

Anschlussbereich verzinkt 4-6 µm  
Terminal Area 4-6 µm tin plating

Koplanarität der Anschlüsse ≤ 0.1 mm  
Coplanarity Area of Termination ≤ 0.1 mm

Information:  All rights reserved. Only for Information. To ensure that this is the latest version of this drawing, please contact one of the ERNI companies before using.	Tolerances  All Dimensions in mm	Scale 5:1	Designation <b>F06 MSPEED BlindMate PM SMD</b>	
	Subject to modification without prior notice. Drawing will not be updated.		 www.ERNI.com <b>354264</b> I <b>A3</b>	
b	18.09.2012	Class		MSPEED
Index	Date			

Copyright by ERNI GmbH. Proprietary notice pursuant to ISO 9006 to be observed.