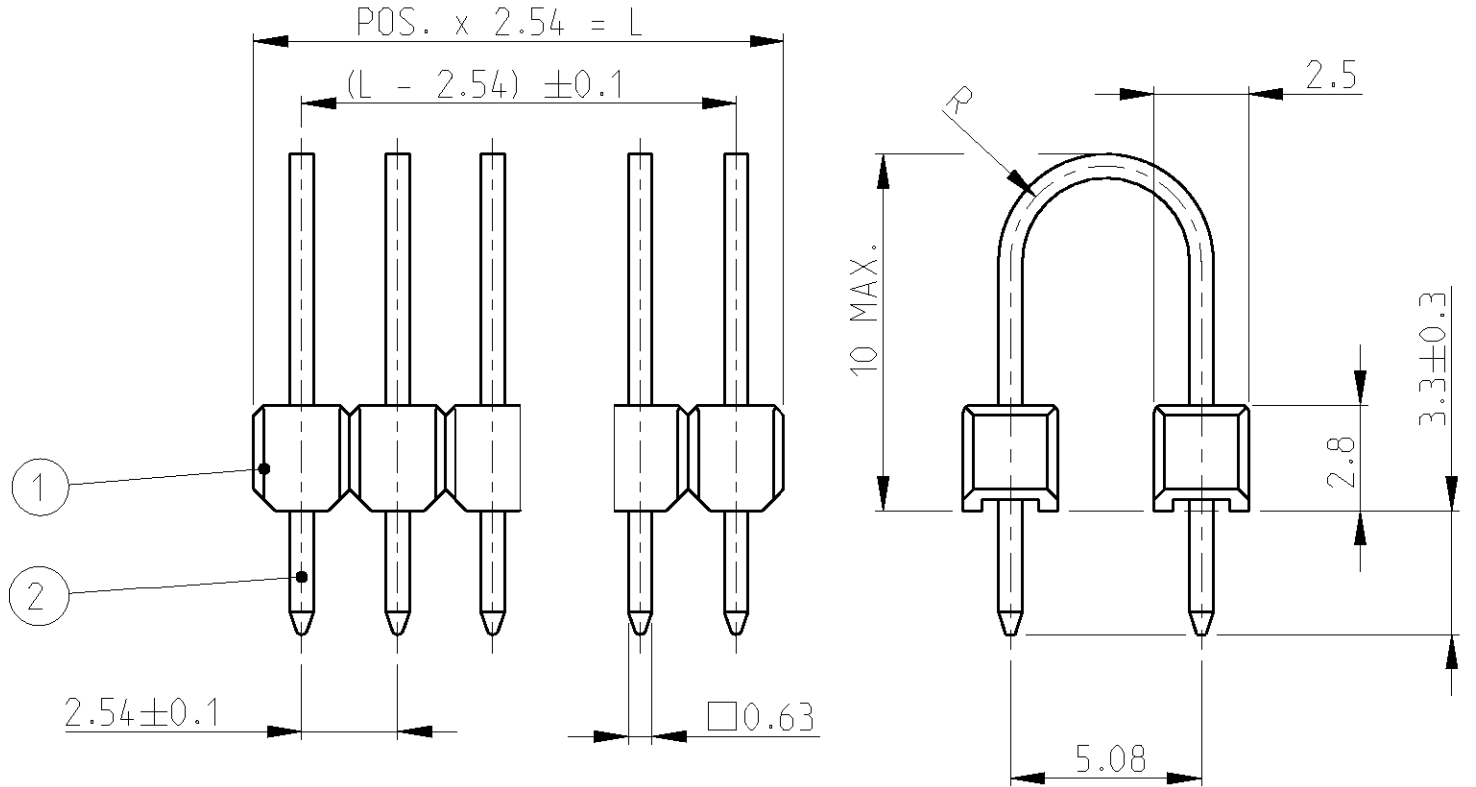
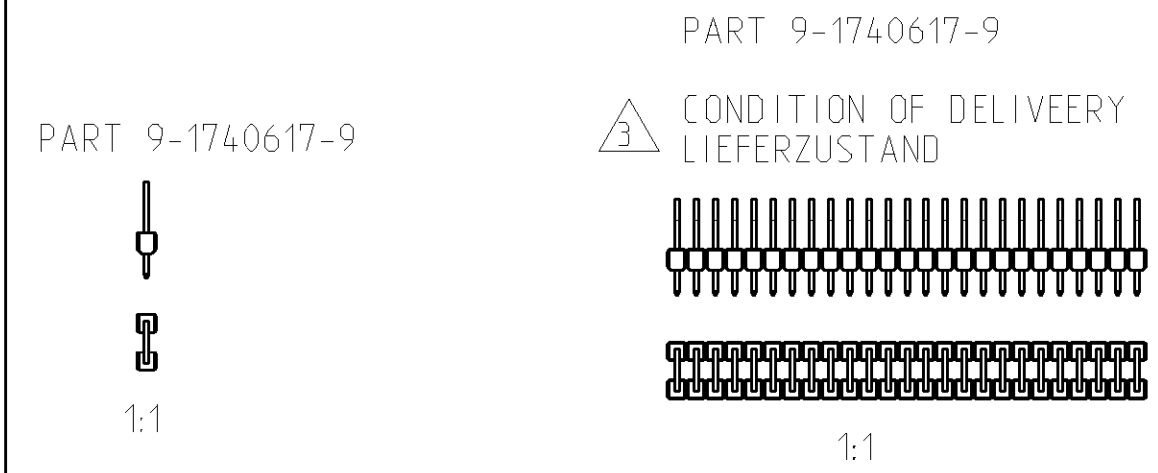


THIS DRAWING IS UNCLASSIFIED  
 RELEASED FOR PUBLICATION 2006  
 © COPYRIGHT 2006 BY TYCO ELECTRONICS CORPORATION. ALL RIGHTS RESERVED.

LOC	DIST	REVISIONS			
P	LTR	DESCRIPTION	DATE	DWN	APVD
A1	-	B3	NOTE 2: QTY CHANGED FROM 90 TO 60	03JUL2006	ACK MS

POS. PER ROW	L ±0.5	ORDER - NO. BESTELL - NR.	
1	2.54	9-1 740 617-9	△3
24	60.96	2-1 740 617-4	
25	63.50		△3

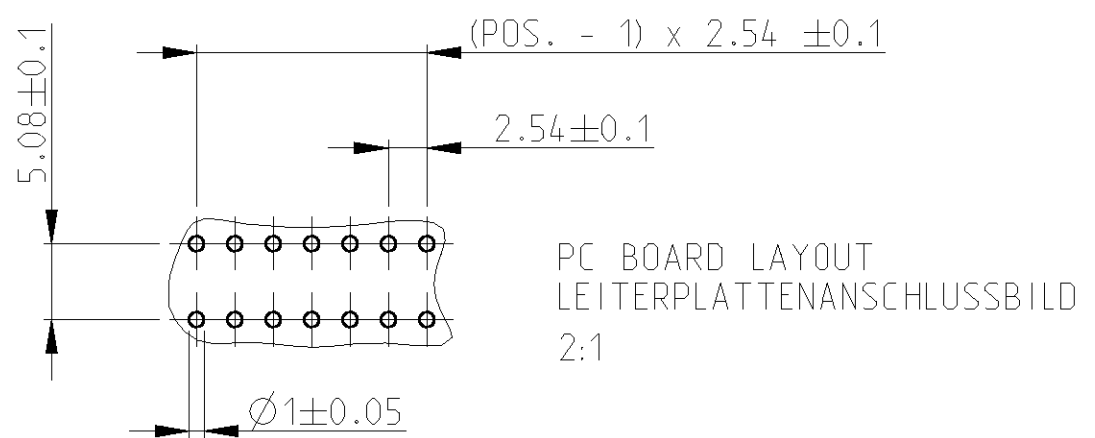


△1 MIN. 3 µm TIN OVER 1.27 µm NICKEL TIPS UNPLATED  
 MIN. 3 µm ZINN ÜBER 1.27 µm NICKEL STIFTSPITZEN BLANK

2 60 PCS. WITH ANTISTATIC BAG IN CARDBOARD BOX 185x140x57  
 60 STÜCK MIT ANTISTATISCHEM BEUTEL IN KARTON 185x140x57

△3 DELIVERED AS STICK WITH 25 POSITIONS PER ROW  
 WIRD ALS 25-POLIGER STREIFEN GELIEFERT

REMARK	DESCRIPTION BEZEICHNUNG	MATERIAL	ITEM LFD. NR.
△1	CONTACT PIN KONTAKTSTIFT	Cu Sn	2
	COLOUR, GREEN	PBT GV	1



THIS DRAWING IS A CONTROLLED DOCUMENT FOR TYCO ELECTRONICS CORPORATION IT IS SUBJECT TO CHANGE AND THE CONTROLLING ENGINEERING ORGANIZATION SHOULD BE CONTACTED FOR THE LATEST REVISION.

DIMENSIONS: mm	TOLERANCES UNLESS OTHERWISE SPECIFIED: 0 PLC ±0.2 1 PLC ±0.2 2 PLC ±0.2 3 PLC ± 4 PLC ± ANGLES ±°	MATERIAL -	FINISH -	DWN G. ACKERMANN 05DEC2005 CHK M. SCHAARSCHMIDT 05DEC2005 APVD G. FELDMEIER - PRODUCT SPEC - APPLICATION SPEC - WEIGHT -	tyco Electronics AMP GmbH D - 67346 Speyer	NAME AMPMODU II SOLDER STRAP LOETBRUECKE	SIZE A3 CAGE CODE 00779 DRAWING NO C=1740617	RESTRICTED TO -
CUSTOMER DRAWING				SCALE 5:1	SHEET 1 OF 1	REV B3		