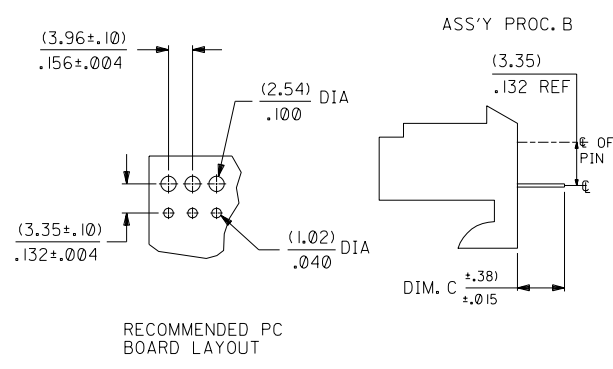


- NOTES:
1. TERMINALS MUST CONFORM TO SOLDERABILITY SPEC. ES-152.
 2. PARTS CONFORM TO PRODUCT SPEC 08-50.
 3. HOUSING MATERIAL: NYLON, UL LISTED
 4. "*" PRECEDING ENG. NO. IN CHARTS DESIGNATES STANDARD PRODUCT.
 5. TERMINAL TAIL CENTERLINES ARE TO BE WITHIN (.30)/.012 OF EACH OTHER.
 6. FOR KINKED PIN INFORMATION SEE SMES-42329-***.



A - 2145 - * * N * * * - *
 VOID LOCATION
 ASS'Y. PROCEDURE
 A=RIGHT ANGLE
 B=BOTTOM ENTRY
 C=TOP ENTRY
 D=TOP ENTRY WITH KINKED TAIL
 E=BOTTOM ENTRY WITH HOOKS CUT OFF
 F=TOP ENTRY WITH HOOKS CUT OFF
 PACKAGING CODE
 BLANK=BULK PACK
 A=TUBE PACK PER PK-40873-0026

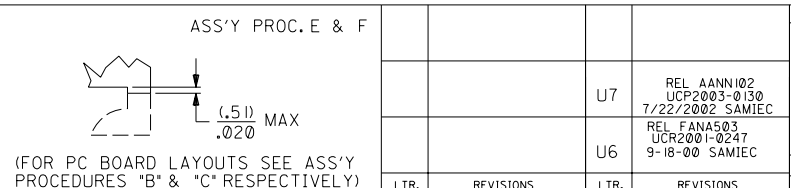
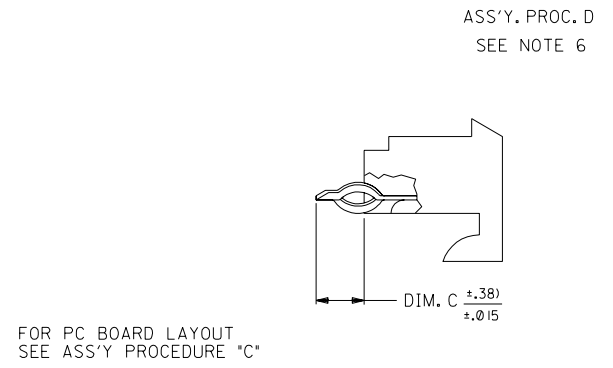
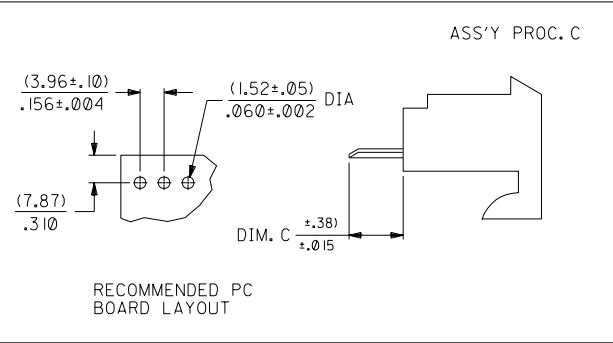
PLATING
 (102) 200 M.I. MIN TIN OVER 100 M.I. MIN COPPER
 (587) SELECT GOLD 15 M.I. MIN
 SELECT TIN-LEAD 75 M.I. MIN. OVER
 50 M.I. MIN NICKEL

HOUSING NO.
 A=2145-N-AN
 94V-2 NATURAL WITH RAMPES AND HOOKS
 B=2145-NBK-AN
 94V-2 DYED BLACK WITH RAMPES AND HOOKS
 C=2145-A-AN
 94V-0 NATURAL WITH RAMPES AND HOOKS
 G=2145-N-CN
 94V-2 NATURAL WITH HOOKS ONLY
 H=2145-NGN-AN
 94V-2 DYED GREEN WITH RAMPES AND HOOKS
 J=2145-NYW-AN
 94V-2 DYED YELLOW WITH RAMPES AND HOOKS
 K=2145-NRD-AN
 94V-2 DYED RED WITH RAMPES AND HOOKS
 L=2145-N-AN-5
 94V-2 NATURAL W/ RAMPES AND HOOKS MOLDED IN VOIDS

TERMINAL NO.
 A=2144-AA-AIAA(+)B (BRASS)
 B=2144-BA-AIAA(+)B (PHOS BRONZE)
 C=2144-AA-A2AA(+)B (BRASS)
 D=2144-BA-A2AA(+)B (PHOS BRONZE)
 E=6298-A(+) (PHOS BRONZE) LOW FORCE
 H=2188-(*) (BRASS)
 J=2188-(*) (BRASS)
 K=4244-(*) (BRASS)
 L=6298-(*) (PHOS BRONZE)
 M=2144-BA-BIAA(+)B (PHOS BRONZE) LOW FORCE
 N=4244-A(+) (PHOS BRONZE)

NO. OF CKTS.	DIM. A	DIM. B	KINK PIN LOCATION (ASSY. PROC. D ONLY)
2	(3.96 ± .13) .156 ± .005	(7.82) .308	N/A
3	(7.92 ± .13) .312 ± .005	(11.79) .464	N/A
4	(11.89 ± .13) .468 ± .005	(15.75) .620	1, 2 3, 4
5	(15.85 ± .13) .624 ± .005	(19.71) .776	2, 3 4, 5
6	(19.81 ± .13) .780 ± .005	(23.67) .932	2, 3 4, 5
7	(23.77 ± .25) .936 ± .010	(27.64) 1.088	2, 3 5, 6
8	(27.74 ± .25) 1.092 ± .010	(31.60) 1.244	2, 3 6, 7
9	(31.70 ± .25) 1.248 ± .010	(35.56) 1.400	2, 3 7, 8
10	(35.66 ± .25) 1.404 ± .010	(39.52) 1.556	2, 3 8, 9
11	(39.62 ± .25) 1.560 ± .010	(43.48) 1.712	2, 3 9, 10
12	(43.59 ± .25) 1.716 ± .010	(47.45) 1.868	2, 3 10, 11
13	(47.55 ± .25) 1.872 ± .010	(51.41) 2.024	2, 3 11, 12
14	(51.51 ± .36) 2.028 ± .014	(55.37) 2.180	2, 3 12, 13
15	(55.47 ± .36) 2.184 ± .014	(59.33) 2.336	2, 3 13, 14
16	(59.44 ± .36) 2.340 ± .014	(63.30) 2.492	2, 3 14, 15

20	U
19	T
18	U7
17	M
16	T6
15	T
14	T2
13	U6
12	U5
11	R3
10	U
8	T
7	U3
6	U
4	U
3	U
2	U
1	U7



DIMENSIONS SHOWN (METRIC) INCH UNLESS OTHERWISE SPECIFIED TOLERANCES: ANGULAR ± 1/2°

INCH	METRIC
3 PLACE ± .010	---
2 PLACE ± .014	± 0.25
1 PLACE ---	± 0.36

DRAFT WHERE APPLICABLE MUST REMAIN WITHIN DIMENSIONS

DRWG. PEREZ-ARGUETA BY LENZ SCALE

CHK'D. PATEL

FILE NAME S2145X1

TITLE HOUSING ASS'Y, P.C. TAIL (3.96)/.156 C 2145 SERIES DRAWING

MOLEX INCORPORATED U.S.A. 60532

SHEET NO. 1 OF 20 DATE 7/9/87

SEE CHART SDA-2145

THIS DRAWING CONTAINS INFORMATION THAT IS PROPRIETARY TO MOLEX INC. AND SHOULD NOT BE USED WITHOUT WRITTEN PERMISSION.

	13	12	11	10	9	8	7	6	2145	4	3	2	1		
J	ENG. NO.		HOUSING NO.		TERMINAL NO.		DIM. C		EDP ON SHT/COL						J
	A-2145-AANA(102)-*	2145-N-AN	2144-AA-AIAA-102B	(3.68) / .145	7 / 1										
	A-2145-AANA(122)-*	2145-N-AN	2144-AA-AIAA-122B	(3.68) / .145	7 / 2										
	A-2145-AANA(505)-*	2145-N-AN	2144-AA-AIAA-505B	(3.68) / .145	7 / 3										
	A-2145-AANA(507)-*	2145-N-AN	2144-AA-AIAA-507B	(3.68) / .145	7 / 4										
I	A-2145-AANB(558)-*	2145-N-AN	2144-BA-AIAA-558B	(3.68) / .145	8 / 1										I
	A-2145-AANA(P913)-*	2145-N-AN	2144-AA-AIAA-P913B	(3.68) / .145	8 / 2										
	A-2145-ABNA(122)-*	2145-NBK-AN	2144-AA-AIAA-122B	(3.68) / .145	8 / 3										
	A-2145-ABNA(P913)-*	2145-NBK-AN	2144-AA-AIAA-P913B	(3.68) / .145	8 / 4										
	A-2145-AANA(587)-*	2145-N-AN	2144-AA-AIAA-587B	(3.68) / .145	9 / 1										
H	A-2145-AGNA(P913)-*	2145-N-CN	2144-AA-AIAA-587B	(3.68) / .145	9 / 2										H
	A-2145-BANH(102)-*	2145-N-AN	2188-(102)	(4.06) / .160	9 / 3										
	A-2145-BANH(122)-*	2145-N-AN	2188-(122)	(4.06) / .160	9 / 4										
	A-2145-BANL(P913)-*	2145-N-AN	6298-(P913)	(4.06) / .160	10 / 1										
	A-2145-BANL(565)-*	2145-N-AN	6298-(565)	(4.06) / .160	10 / 2										
	A-2145-BBNH(122)-*	2145-NBK-AN	2188-(122)	(4.06) / .160	10 / 3										
G	A-2145-CANA(102)-*	2145-N-AN	2144-AA-AIAA-102B	(3.05) / .120	10 / 4										G
	A-2145-CANA(122)-*	2145-N-AN	2144-AA-AIAA-122B	(3.05) / .120	11 / 1										
	A-2145-CANB(565)-*	2145-N-AN	2144-BA-AIAA-565B	(3.05) / .120	11 / 2										
	A-2145-CANC(P913)-*	2145-N-AN	2144-AA-A2AA-P913B	(4.80) / .189	11 / 3										
	A-2145-FGNA(587)-*	2145-N-CN	2144-AA-AIAA-587B	(3.05) / .120	11 / 4										
F	A-2145-FANA(P913)-*	2145-N-AN	2144-AA-AIAA-P913B	(3.05) / .120	12 / 1										F
	A-2145-DANC(P913)-*	2145-N-AN	2144-AA-A2AA-P913B	(4.80) / .189	12 / 2										
	A-2145-BBNH(P913)-*	2145-NBK-AN	2188-(P913)	(4.06) / .160	12 / 3										
	A-2145-CBNA(P913)-*	2145-NBK-AN	2144-AA-AIAA-P913B	(3.05) / .120	12 / 4										
	A-2145-FGNA(550)-*	2145-N-CN	2144-AA-AIAA-550B	(3.05) / .120	13 / 1										
	A-2145-BANH(P913)-*	2145-N-AN	2188-(P913)	(4.06) / .160	13 / 2										
E	A-2145-BANH(587)-*	2145-N-AN	2188-(587)	(4.06) / .160	13 / 3										E
	A-2145-FANA(503)-*	2145-N-AN	2144-AA-AIAA-503B	(3.05) / .120	13 / 4										
	A-2145-EANH(P913)-*	2145-N-AN	2188-(P913)	(4.06) / .160	14 / 1										
	A-2145-AANK(P913)-*	2145-N-AN	4244-(P913)	(3.68) / .145	14 / 2										
	A-2145-ABNK(P913)-*	2145-NBK-AN	4244-(P913)	(3.68) / .145	14 / 3										
D	A-2145-ABNA(587)-*	2145-NBK-AN	2144-AA-AIAA-587B	(3.68) / .145	14 / 4										D
	A-2145-AANA(109)-*	2145-N-AN	2144-AA-AIAA-109B	(3.68) / .145	15 / 1										
	A-2145-CANA(P913)-*	2145-N-AN	2144-AA-AIAA-P913B	(3.05) / .120	15 / 2										
	A-2145-AANB(122)-*	2145-N-AN	2144-BA-AIAA(122)B	(3.68) / .145	15 / 3										
	A-2145-BANL(122)-*	2145-N-AN	6298-(122)	(4.06) / .160	15 / 4										
	A-2145-CANB(122)-*	2145-N-AN	2144-BA-AIAA(122)B	(3.05) / .120	16 / 1										
C	A-2145-EGNH(P913)-*	2145-N-CN	2188-(P913)	(4.06) / .160	16 / 2										C
	A-2145-FGNA(P913)-*	2145-N-CN	2144-AA-AIAA-P913B	(3.05) / .120	16 / 3										
	A-2145-CANA(587)-*	2145-N-AN	2144-AA-AIAA-587B	(3.05) / .120	16 / 4										
	A-2145-BHNH(122)-*	2145-NGN-AN	2188-(122)	(4.06) / .160	17 / 1										
	A-2145-BJNH(122)-*	2145-NYW-AN	2188-(122)	(4.06) / .160	17 / 2										
B	A-2145-BKNH(122)-*	2145-NRD-AN	2188-(122)	(4.06) / .160	17 / 3										B
				/	/										
A														A	

SEE SHEET I	M1	SEE SHEET I	DIMENSIONS SHOWN (METRIC) INCH		▽ = 0	▽ = 0	REVISE ONLY ON CAD SYSTEM
SEE SHEET I	M	SEE SHEET I	UNLESS OTHERWISE SPECIFIED TOLERANCES ANGULAR ± 1/2°		TITLE HOUSING ASS'Y, P.C. TAIL (3.96) / .156 C 2145 SERIES DRAWING		
U	SEE SHEET I	K	SEE SHEET I	INCH METRIC	MOLEX INCORPORATED SHEET NO. 5 DATE 7 / 9 / 87		
T	SEE SHEET I	J3	SEE SHEET I	3 PLACE ±	PART NO. SEE CHART DRWG. NO. SDA-2145		
G	SEE SHEET I	J	SEE SHEET I	2 PLACE ±	FILE NAME S2145X5 THIS DRAWING CONTAINS INFORMATION THAT IS PROPRIETARY TO MOLEX INC. AND SHOULD NOT BE USED WITHOUT WRITTEN PERMISSION		
R	SEE SHEET I	H	SEE SHEET I	1 PLACE ±	BY: PEREZ, ENQ'D. BY: ARQUETA, BY: PATEL		
M3	SEE SHEET I	G1	SEE SHEET I	DRAFT WHERE APPLICABLE MUST REMAIN WITHIN DIMENSIONS			
LTR.	REVISIONS	LTR.	REVISIONS	APP'D. BY: LENZ	SCALE: :	DIN. SIZE KK C	

