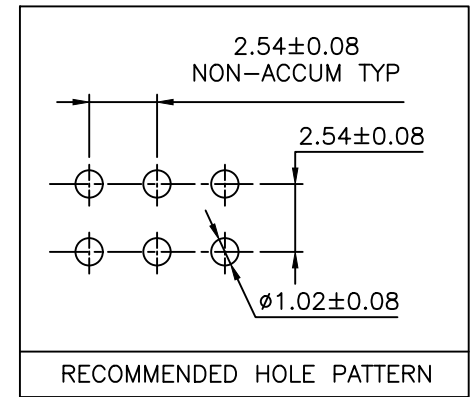
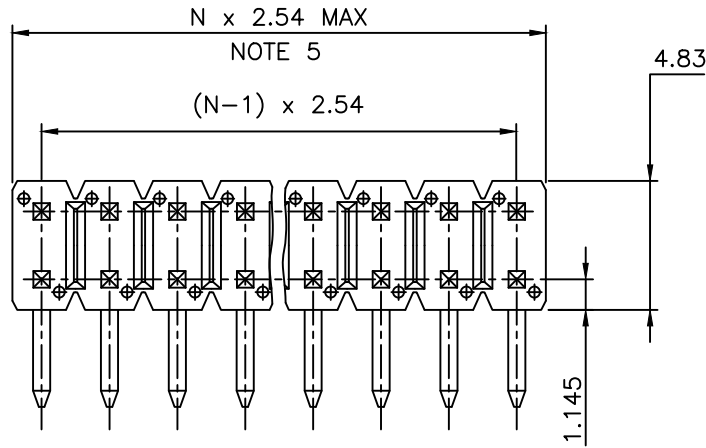


PRODUCT NUMBER

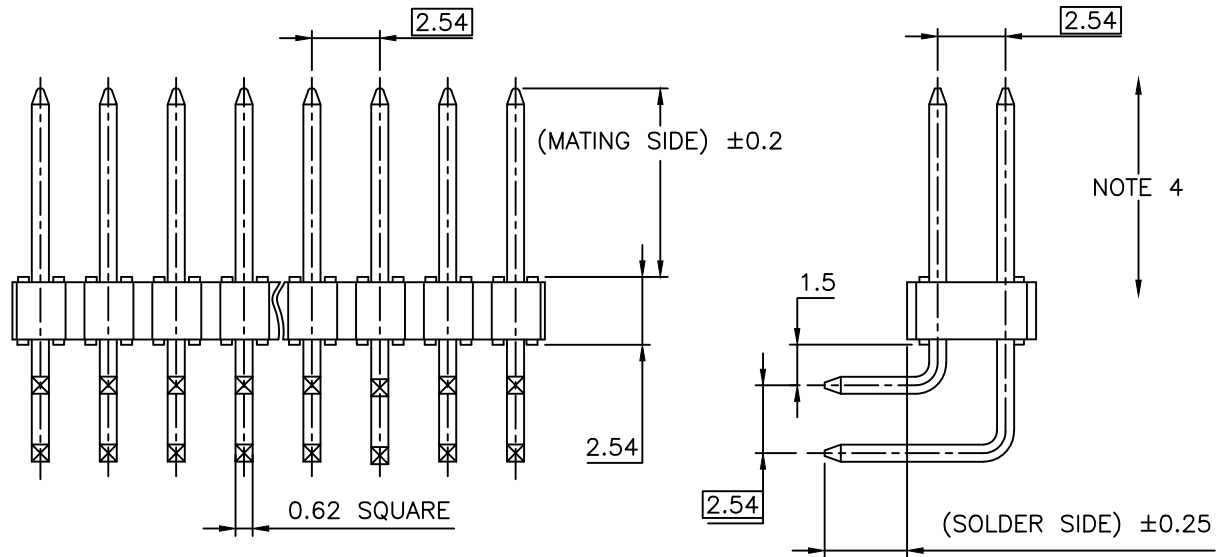
77317-YXX-XXLF

- RoHS COMPATIBLE SEE NOTE 7
- TOTAL NB OF POSITIONS 02 TO 72
- PACKAGING, NOTE 3
- PIN STYLE SEE SHEET 2
- PLATING SEE SHEET 2



NOTES:

1. HOUSING MAT'L : HIGH TEMPERATURE THERMOPLASTIC. UL94V-0 COLOR: BLACK
2. PIN MATERIAL : PHOSPHOR BRONZE
3. PACKAGING:
 - PACKAGING POLYBAG OR BLIBOX
 - "V" BLIBOX PACK FOR CUSTOMER DEDICATED PART
4. 9N MIN RETENTION IN EITHER DIRECTION
5. TO DETERMINE DIMENSIONS :
N = NUMBER OF POSITIONS PER ROW
EXAMPLE : 8 POS N x 2.54 = 20.32mm
6. UNDERPLATING : 1.27µm Ni MIN
7. RoHS COMPATIBLE PRODUCT SPECIFICATIONS
 - a - PLATING:
 - "LF" MEANS THE PRODUCT IS LEAD-FREE, 2µm MINIMUM MATTE TIN OVER 1.27µm MINIMUM NICKEL UNDERPLATE.
 - b - MANUFACTURING PROCESS COMPATIBILITY
 - THE HOUSING WILL WITHSTAND EXPOSURE TO 260°C ±5°C SOLDER BATH TEMPERATURE FOR 5 SECONDS IN A WAVE SOLDER APPLICATION WITH A 1.6mm MIN THICK CIRCUIT BOARD.
 - c - LABELING:
 - MEETS PACKAGING SPECS AS PER GS-14-920
 - d - LEGAL STATEMENT: SEE GS-47-0004



mat'l. code SEE NOTES				surface ISO 1302 ✓	tolerance ISO 406 ISO 1101	projection mm	product family BERGSTIK	
ltr	ecn no	dr	date	tolerances unless otherwise specified		mm	title UNSHR.HEADER RA DR TMT	
AR	F-47094	DDE	23.01.23	angles	linear		dwg no 77317	
AK	B-21242	AMA	15.06.25			scale 5:1	sheet 1 of 2 size A3	
AL	F-23305	AMA	16.02.19	dr	D.LE		type CUSTOMER Drawing	
AM	F-27765	DDE	17.08.21	enfr	JM.C			
AN	F-29937	DDE	18.04.20	chr	JM.C			
AP	F-38414	DDE	20.09.18	app	JF.N			
sheet	revision	2	AL					
index	sheet	1	2					



PLATING

- 1 = 0.76µm GOLD/GXT ON CONTACT AREA, 2µm TIN MIN ON TAIL
- 4 = 2µm TIN MIN FULL PLATED
- 5 = 0.25µm GOLD/GXT ON CONTACT AREA, 2µm TIN MIN ON TAIL ONLY AVAILABLE UPON REQUEST
- 8 = 0.38µm GOLD/GXT ON CONTACT AREA, 2µm TIN MIN ON TAIL
- G = 0.76µm FULL GXT
- S = 0.38µm FULL GXT
- 1.27µm NICKEL MIN UNDERLAYER FOR ALL PLATING VERSIONS

PRODUCTS SPECIFICATIONS		
PIN STYLE	MATING	SOLDER
01	5.72	2.57
03	5.84	2.41
04	5.84	3.05
10	8.07	3.05
12	6.80	3.05
14	10.00	2.70
15	7.00	16.40
16	7.80	13.50
17	7.48	1.60
18	8.80	2.90
19	2.60	2.60
20	N/A	
21	10.89	3.05
22	3.51	3.51
23	7.20	3.05
24	3.10	3.10

A

A

B

B

C

C

D

D



Copyright FCI

mat'l. code SEE NOTES				surface ISO 1302 <input checked="" type="checkbox"/>		tolerance ISO 406 ISO 1101		projection 		product family BERGSTIK			
ltr	ecn no	dr	date	tolerances unless otherwise specified		.X ±0.3		mm		title UNSHR.HEADER RA DR TMT			
AG	B-21242	AMA	15.06.25	angles		.XX ±0.15		←		dwg no			
AH	F-23305	AMA	16.02.19	linear		.XXX ±0.05		scale 5:1		sheet 2 of			
AJ	F-27765	DDE	17.08.21							77317			
AK	F-29937	DDE	18.04.20	dr	D.LE	01.01.24				size A3			
AL	F-47094	DDE	23.01.23	engr	JM.C	01.01.24				type CUSTOMER Drawing			
				chr	JM.C	01.01.24							
AF	B-18916	LMU	14.09.29	app	JF.N	01.01.24							
sheet	revision												
index	sheet												