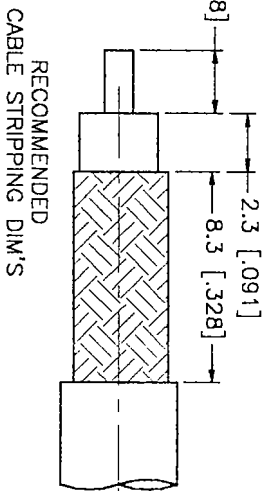
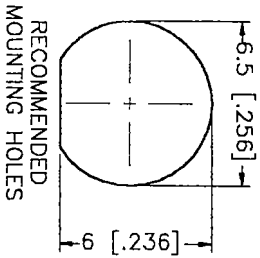
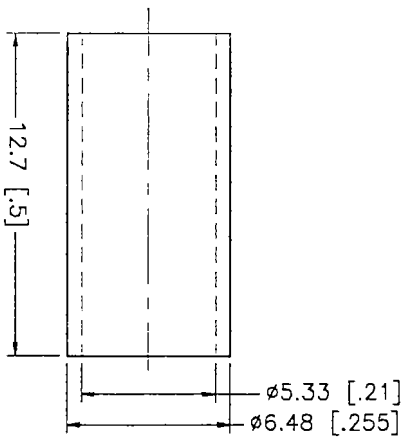
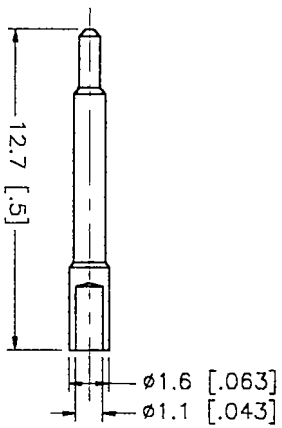
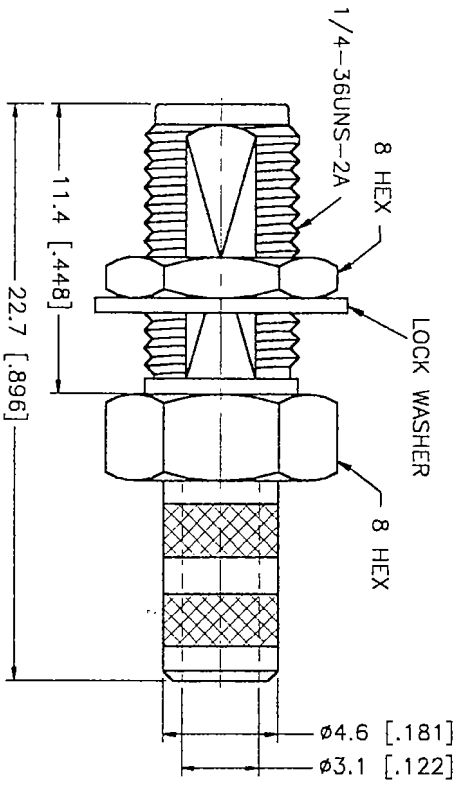


REV.	DATE	DESCRIPTION
NC	09/01/98	INITIAL RELEASE



DESCRIPTION	MATERIAL	FINISH	UNLESS OTHERWISE SPECIFIED DIMENSIONS ARE IN MILLIMETERS FOR CUSTOMER REFERENCE ONLY	APPROVALS	DATE	TITLE
1 BODY	BRASS	GOLD	UNLESS OTHERWISE SPECIFIED DIMENSIONS ARE IN MILLIMETERS FOR CUSTOMER REFERENCE ONLY  UNLESS OTHERWISE SPECIFIED TOLERANCES FOR MILLIMETERS ARE: 0.5-8 = ± 0.2 8-30 = ± 0.4 30-120 = ± 0.6 120-315 = ± 1 315-1000 = ± 1.6 1000-2000 = ± 2.4	DRAWN	09/01/98	SMA BULKHEAD CRIMP JACK REVERSE POLARIZED(FOR RG-58C, 58/U CABLE)
2 INSULATOR	TEFLON	NATURAL		CHECKED	G.R.S.	
3 CONTACT PIN	BER. COPPER	GOLD		ISSUED		
4 FERRULE	COPPER	GOLD				
5 LOCK WASHER	BRASS	GOLD				
6 HEX NUT	BRASS	GOLD				
7						
8						



SCALE	NA	PART NO.	132118-RP	SHEET	1 OF 1
-------	----	----------	-----------	-------	--------