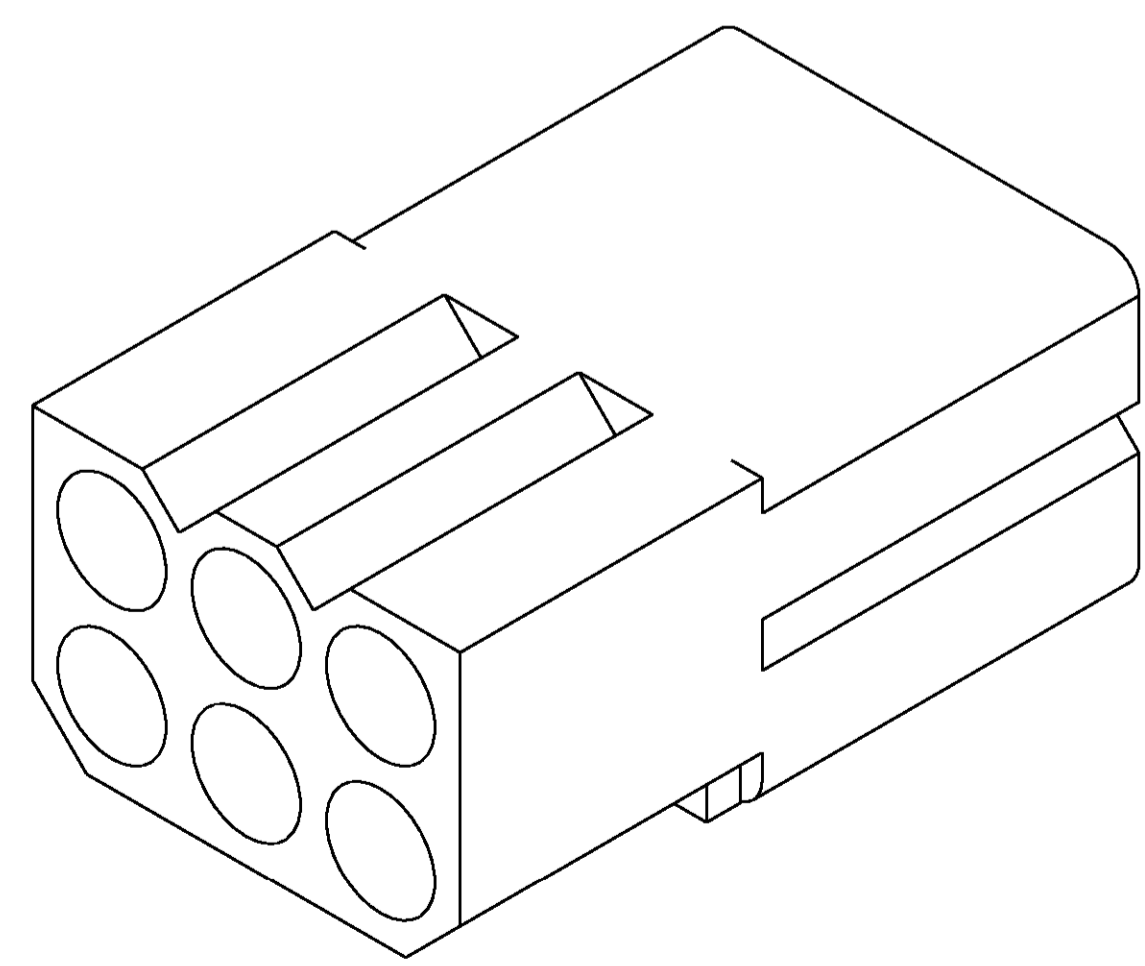
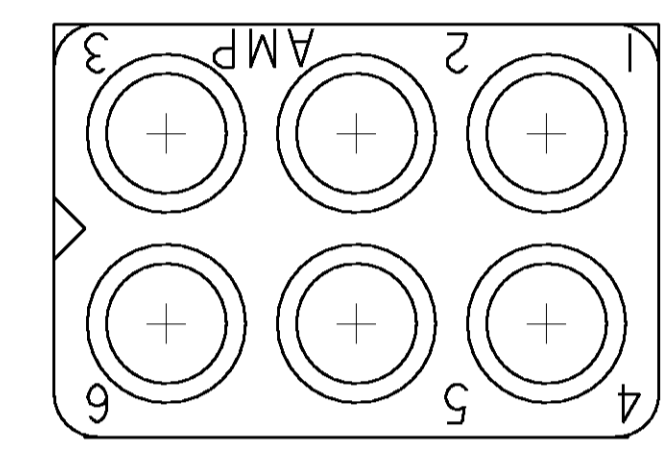
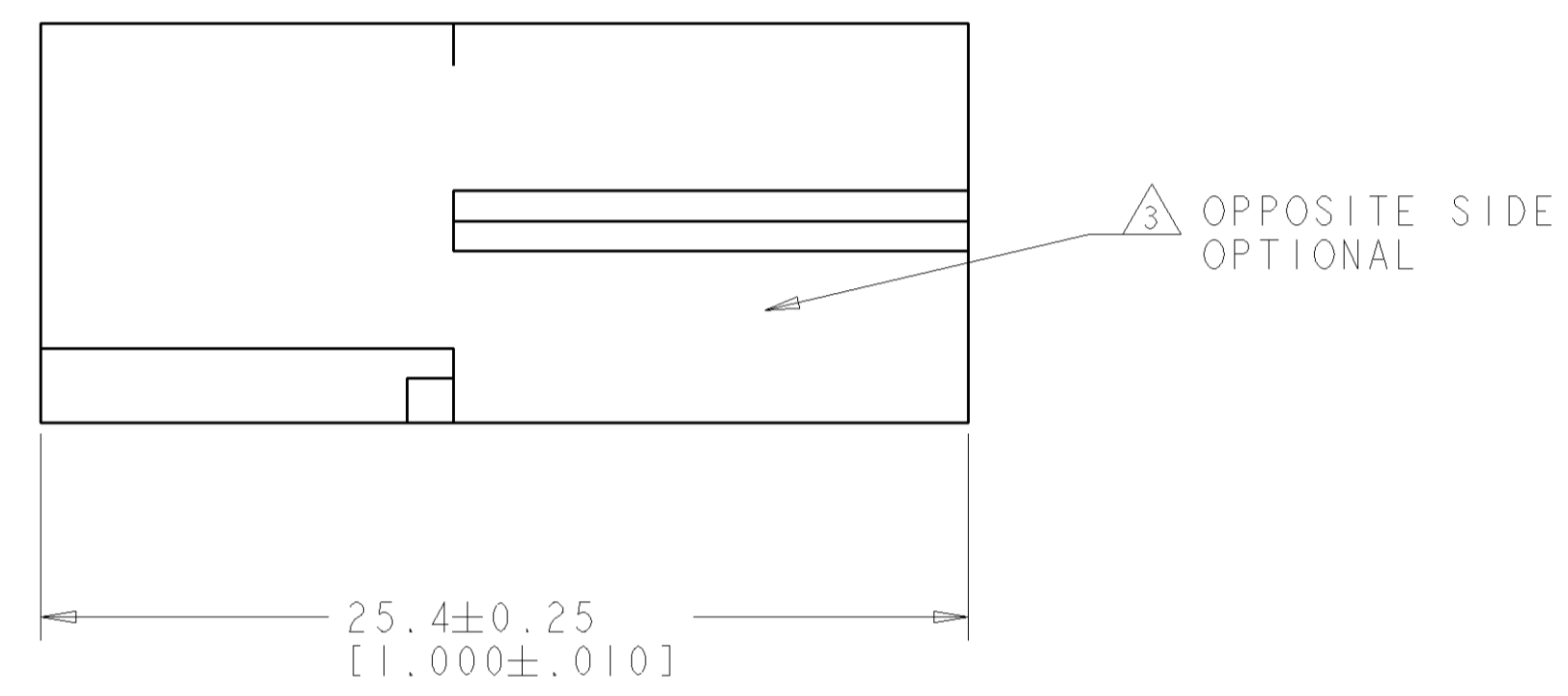
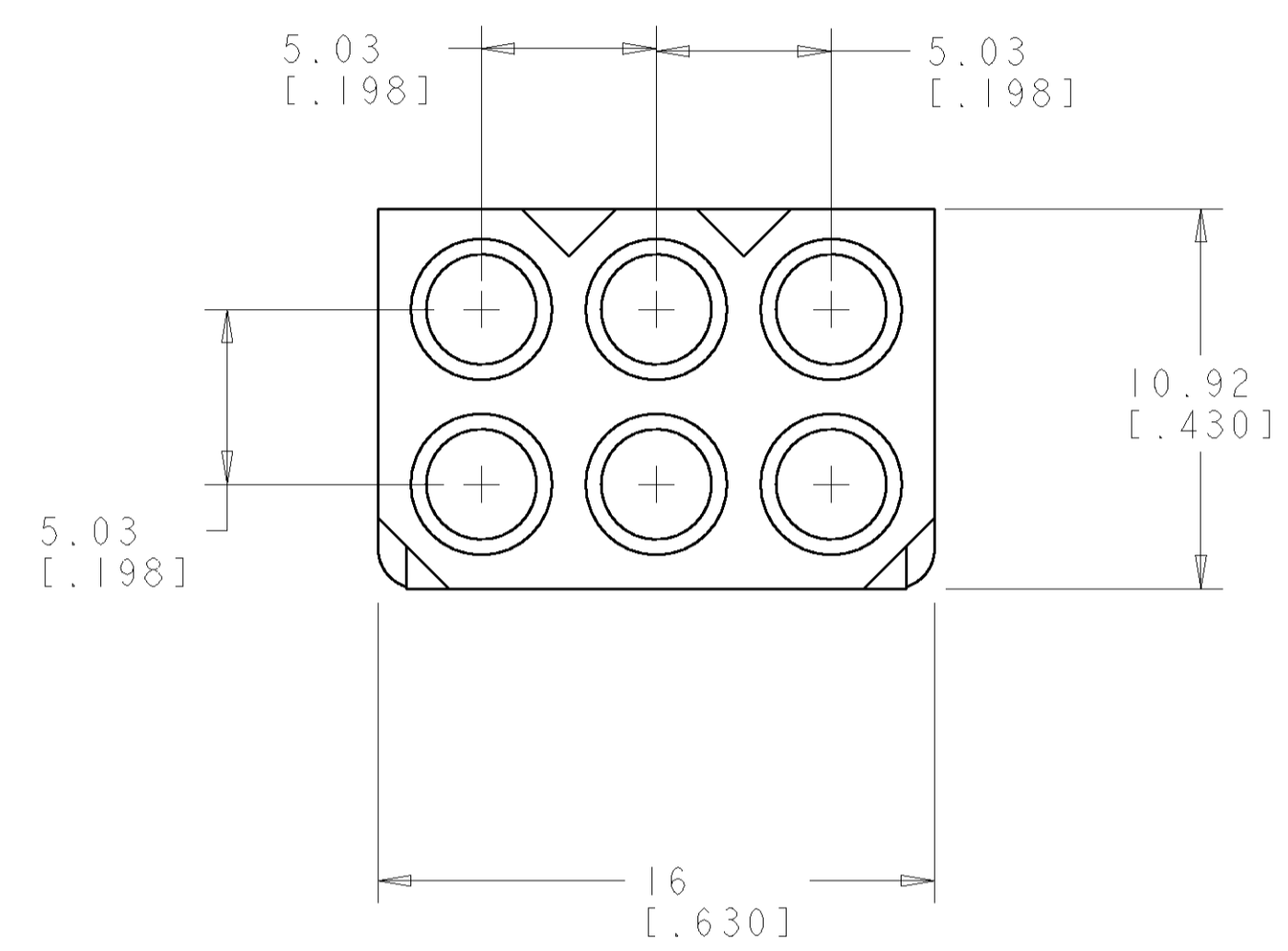


LOC		DIST		REVISIONS			
CM	00	P.	LTR	DESCRIPTION	DATE	DWN	APVD
		E		REVISED PER 0638-0359-01	18JAN2002	KW	DC

△ MATERIAL: NYLON UL94V-2 (NATURAL).
 △ MARKING FOR UL LOGO AND CSA LOGO LOCATED APPROXIMATELY AS SHOWN.



3 DIMENSIONAL VIEW

770088-1
 PART NUMBER

METRIC

<small>THIS DRAWING IS UNPUBLISHED. RELEASED FOR PUBLICATION BY TYCO ELECTRONICS CORPORATION. ALL RIGHTS RESERVED.</small>		DWN R. WHITAKER 18JAN2002 ESK D. COLEY 18JAN2002 APVD D. COLEY 18JAN2002	Tyco Electronics Harrisburg, PA 17105-3608
DIMENSIONS: mm [INCHES]	TOLERANCES UNLESS OTHERWISE SPECIFIED: 0 PLC ± 1 PLC ± 2 PLC ±0.13 [1.005] 3 PLC ± 4 PLC ± ANGLES ±	NAME RECEPTACLE, 6 CIRCUIT, COMMERCIAL PIN AND SOCKET	SIZE CAGE CODE DRAWING NO. RESTRICTED TO A 00779 C-770088 -
MATERIAL: △		FINISH: - WEIGHT: - CUSTOMER DRAWING	SCALE 5:1 SHEET 1 OF 1 REV E