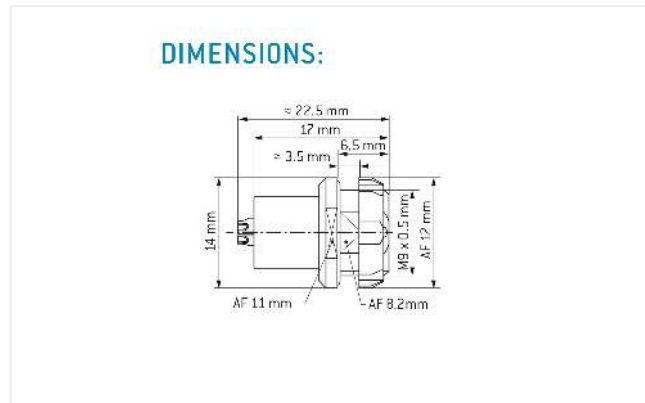
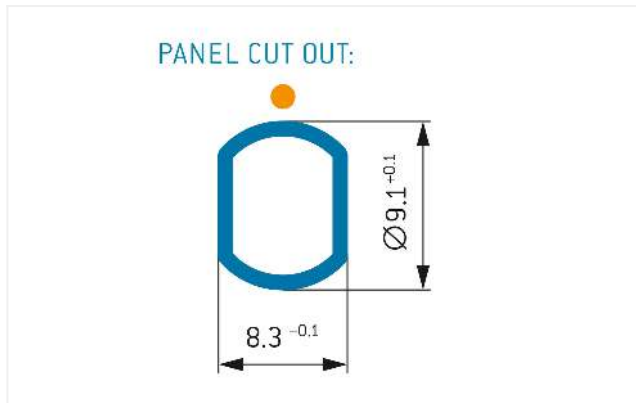


**G80F2C-P02QJ00-0000**  
**series\_f, type\_g8**



**General information**

Part number	G80F2C-P02QJ00-0000
Termination	pcb
Size	0
Locking principle	break , push
Coding	2_halfshell



**Contact insert description**

Number of contacts	2
Contact type	sockets
Contact diameter	09mm
Insulator material	peek
Termination	pcb
Termination diameter	07mm

reverse\_gender\_on\_request

**Technical information**

Max. creepage and air clearance distance	13 mm	08 mm
Nominal current single contact	075_a	iec_60512_5_2
Nominal current insert	7,5 A	vde_0298_4
Test voltage	15 kv_ac	sae_13441

safety\_text

**Mechanical and environmental data**

Degree of protection*	ip68
Operating temperature	40_120_c
Mating cycles	5000

mated\_unmated

### Material and surface treatments

<b>Housing</b>	m_chrome
<b>Contact</b>	cu_alloy_gold

safety\_text\_2  
ul\_text  
illustrative\_text