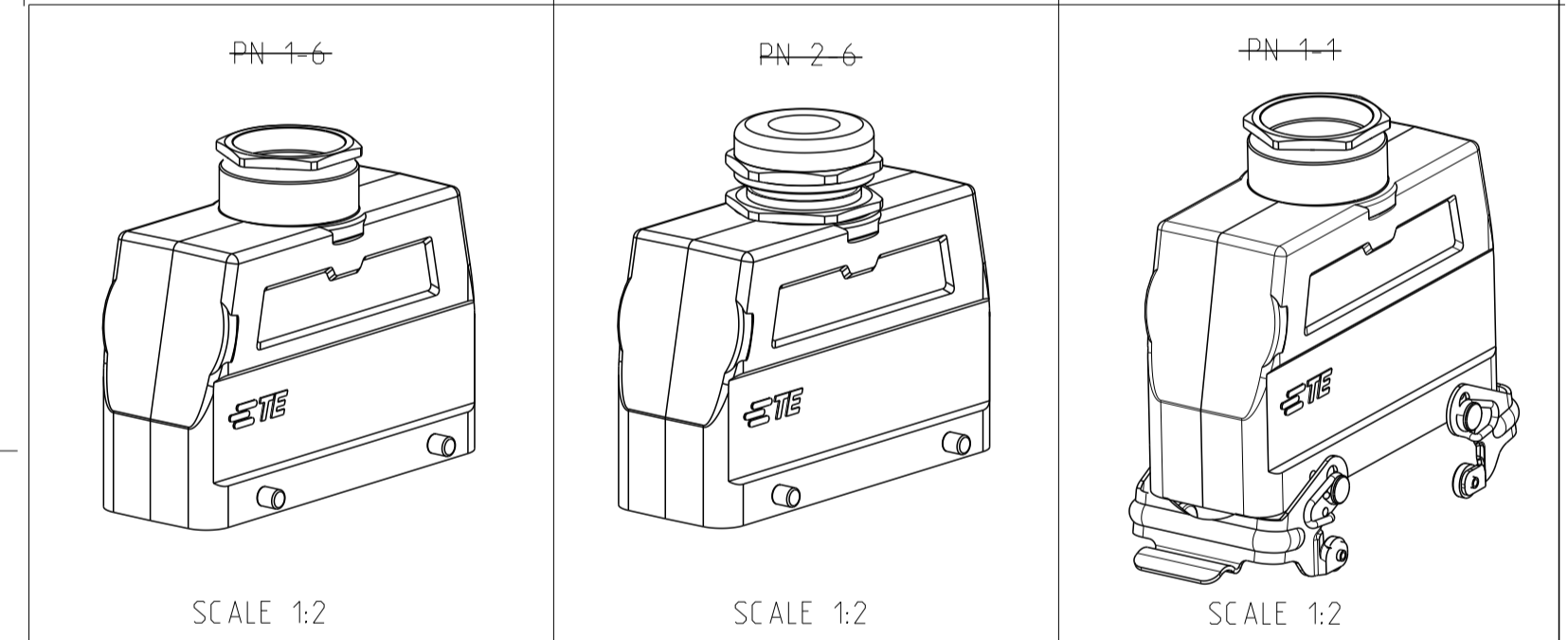
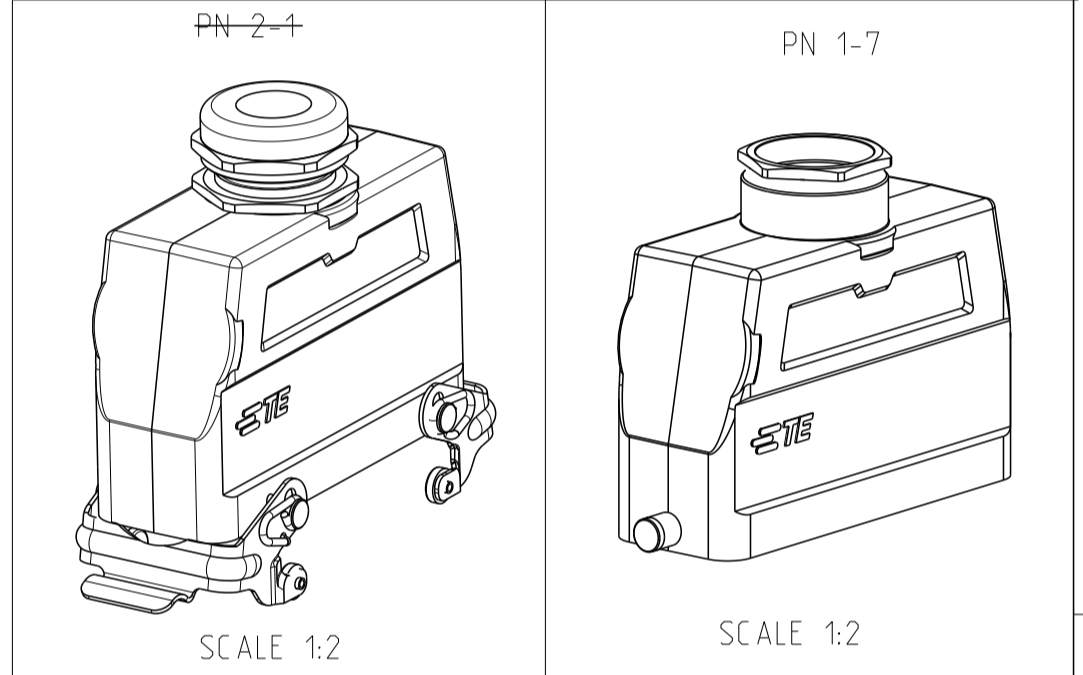


REVISIONS				
P.	LTN	DESCRIPTION	DATE	APVD
A5	ECR-21-123577		20 JUL 2022	RK JB

- NOTES.
- Material:Housing:Aluminium Diecasting Alloy
Seals :Neoprene
 - Surface:Varnish grey:black
 - Varnish on the inside not necessary
 - Packaging
Quantity 5 Pieces in a box
- △** OBSOLETE PARTS: OBSOLETE CIS STREAMLINING PER D.RENAUD/D.SINISI



QTY	DESCRIPTION	MATERIAL	SURFACE	COLOR	ITEM NO	REMARKS
2	LB-Side bolt	Steel	Zinc plated	Blue	9	
2	VS-Locking clip	Stainless steel			8	
2	VS-Locking clip	Steel	Zinc plated	Blue	7	
4	VS-Clip bolt	Stainless steel			6	
4	VS-Clip bolt	Steel	Zinc plated	Blue	5	
1	Hut-Gland fitting Pg29	Brass	Nickel plated		4	
1	PG-Gland fitting Pg29	Brass	Nickel plated		3	
1	Hood HD.64.Pg.1.29	Aluminium	Aluminium oxide	Black	2	
1	Hood HD.64.Pg.1.29	Aluminium		Grey	1	

ORDERING TEXT
 HD.64.STO.1.29
 HD-K.64.STO.1.29
 HD.64.STO-VS.1.29
 HD-K.64.STO-VS.1.29
 HD.64.STO-GR.1.29

THIS DRAWING IS A CONTROLLED DOCUMENT.

DMN: Schneider 04-Jan-08
 CHK: Schneider
 APVD: Schweiger

PRODUCT SPEC: 108-74001
 108-74003

APPLICATION SPEC: 114-74001
 114-74003

WEIGHT: A | 00779 | C=1103342

CUSTOMER DRAWING

SCALE: 1:1 SHEET: 1 OF 1 REV: A5

STE TE Connectivity

NAME: Hood HD.64.STO.1.29

RESTRICTED TO: -