

2-967616-1 ✓ ACTIVE

AMP | MQS

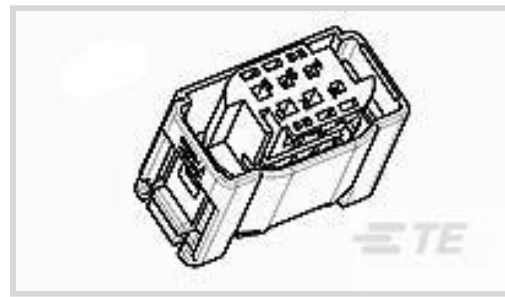
TE Internal #: 2-967616-1

Housing for Female Terminals, Wire-to-Wire, 6 Position, .157 in [4 mm] Centerline, Sealable, Gray, Wire & Cable, Signal, MQS

[View on TE.com >](#)



Connectors > Automotive Connectors > Automotive Housings > MQS, CONNECTOR HOUSING



Connector & Housing Type: **Housing for Female Terminals**

Mating Tab Width: **.63 mm [ .025 in ]**

Connector System: **Wire-to-Wire**

Number of Positions: **6**

Centerline (Pitch): **4 mm [ .157 in ]**

[All MQS, CONNECTOR HOUSING \(571\)](#)

## Features

### Product Type Features

Connector Shape	Rectangular
Connector & Housing Type	Housing for Female Terminals
Connector System	Wire-to-Wire
Sealable	Yes
Hybrid Connector	No
Primary Locking Feature	On the Terminal
Connector & Contact Terminates To	Wire & Cable

### Configuration Features

Number of Positions	6
Number of Rows	2

### Electrical Characteristics

Operating Voltage	50 VDC
Nominal Voltage Architecture	12 V

### Body Features

Cable Exit Angle	180°
Primary Product Color	Gray
Connector & Keying Code	B



### Contact Features

Contact Size	.63mm
Contact Type	Socket
Mating Tab Width	.63 mm[.025 in]
Contact Current Rating (Max)	7.5 A

### Mechanical Attachment

Terminal Position Assurance	Yes
Strain Relief	Without
Mating Alignment Type	Keyed
Mating Alignment	With
Connector Mounting Type	Cable Mount (Free-Hanging)

### Housing Features

Housing Material	PBT GF
Centerline (Pitch)	4 mm[.157 in]

### Dimensions

Connector Height	24 mm[.945 in]
Product Width	17 mm[.669 in]
Row-to-Row Spacing	6 mm[.236 in]

### Usage Conditions

Operating Temperature (Max)	120 °C[248 °F]
Operating Temperature Range	-40 – 120 °C[-40 – 248 °F]

### Operation/Application

Circuit Application	Signal
---------------------	--------

### Packaging Features

Packaging Quantity	1100
Packaging Method	Bag

### Other

Serviceable	Yes
Connector Position Assurance Capable	No

### Product Compliance

[For compliance documentation, visit the product page on TE.com>](#)










EU RoHS Directive 2011/65/EU	Compliant
EU ELV Directive 2000/53/EC	Compliant
China RoHS 2 Directive MIIT Order No 32, 2016	No Restricted Materials Above Threshold
EU REACH Regulation (EC) No. 1907/2006	Current ECHA Candidate List: JUNE 2023 (235) Candidate List Declared Against: JUNE 2023 (235) Does not contain REACH SVHC
Halogen Content	Not Low Halogen - contains Br or Cl > 900 ppm.
Solder Process Capability	Not applicable for solder process capability

Product Compliance Disclaimer

This information is provided based on reasonable inquiry of our suppliers and represents our current actual knowledge based on the information they provided. This information is subject to change. The part numbers that TE has identified as EU RoHS compliant have a maximum concentration of 0.1% by weight in homogenous materials for lead, hexavalent chromium, mercury, PBB, PBDE, DBP, BBP, DEHP, DIBP, and 0.01% for cadmium, or qualify for an exemption to these limits as defined in the Annexes of Directive 2011/65/EU (RoHS2). Finished electrical and electronic equipment products will be CE marked as required by Directive 2011/65/EU. Components may not be CE marked. Additionally, the part numbers that TE has identified as EU ELV compliant have a maximum concentration of 0.1% by weight in homogenous materials for lead, hexavalent chromium, and mercury, and 0.01% for cadmium, or qualify for an exemption to these limits as defined in the Annexes of Directive 2000/53/EC (ELV). Regarding the REACH Regulation, the information TE provides on SVHC in articles for this part number is based on the latest European Chemicals Agency (ECHA) 'Guidance on requirements for substances in articles' posted at this URL: <https://echa.europa.eu/guidance-documents/guidance-on-reach>

### Compatible Parts

 <p>TE Part # 1-967587-3 6POS MQS TAB SEALED COD A</p>	 <p>TE Part # 967056-1 MQS BLINDSTOPFEN4MM</p>	 <p>TE Part # 967067-1 MQS SGL WIRE SEAL</p>	 <p>TE Part # 967067-2 MQS EINZELLEITDICHT</p>
 <p>TE Part # CAT-M8793-T273 MQS, RECEPTACLE AND TAB</p>	 <p>TE Part # 1241637-1 6pos MQS .63 header 90deg</p>	 <p>TE Part # 1897096-2 WIRE COVER FOR MQS SLD 6P CONN'R</p>	 <p>TE Part # 2-968304-1 MQS SOCK HSG SWS 6P</p>

### Also in the Series | MQS



Automotive Connector Caps & Covers (138)



Automotive Connector EMC Shielding (3)



Automotive Connector Locks & Position Assurance(30)



Automotive Housings(506)



Automotive Terminals(104)



Connector Seals & Cavity Plugs(27)



Insertion & Extraction Tools(42)

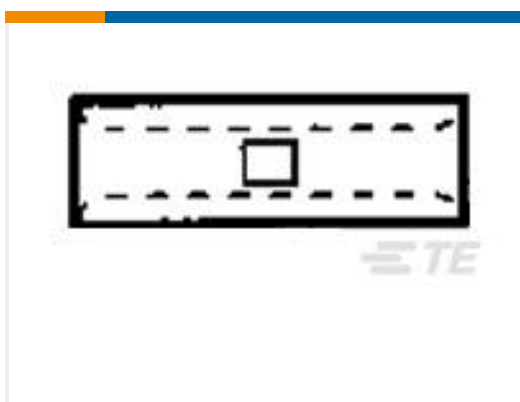


Other Automotive Connector Accessories(14)

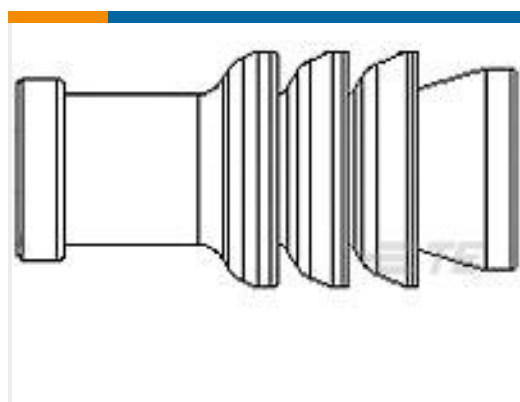


PCB Headers & Receptacles(214)

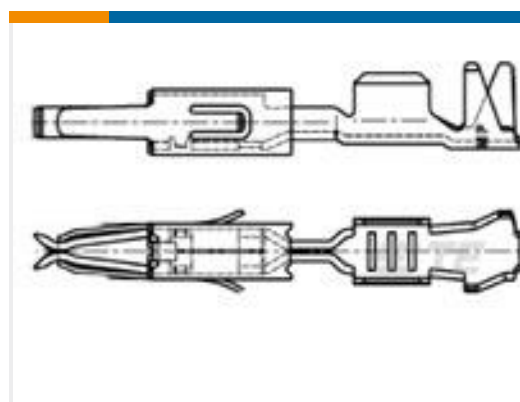
## Customers Also Bought



TE Part #323755  
TERM, SPLC, BUTT, STRAT, SOLIS, HR 12-10



TE Part #967056-1  
MQS BLINDSTOPFEN4MM



TE Part #1241732-2  
MT3 REC 1.6 Contact SRC Sn



TE Part #5-965906-6  
MQS0,63 Ag rec LL EDS 0,5-0,75



TE Part #184207-1  
2 POS. PLUG ASSY, KEY J



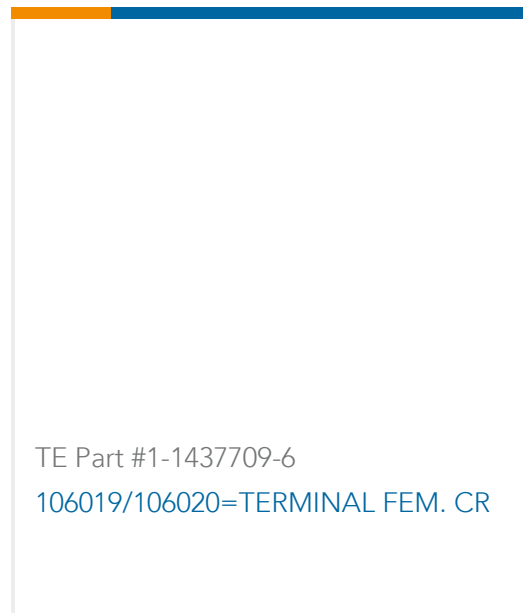
TE Part #2098641-1  
2POS, MCON 1.2 CB REC 2p SL SEALED



TE Part #2141501-1  
3POS,1.5MM SFC,REC HSG,ASSY, SEALED,BK



TE Part #1452990-1  
76 POS COVER ASSY



## Documents

### Product Drawings

[6POS MQS REC SEALED COD B](#)

English

### CAD Files

Customer View Model

[ENG\\_CVM\\_CVM\\_2-967616-1\\_F.2d\\_dxf.zip](#)

English

[3D PDF](#)

3D

Customer View Model

[ENG\\_CVM\\_CVM\\_2-967616-1\\_F.3d\\_igs.zip](#)

English

Customer View Model

[ENG\\_CVM\\_CVM\\_2-967616-1\\_F.3d\\_stp.zip](#)

English

By downloading the CAD file I accept and agree to the [Terms and Conditions](#) of use.

### Datasheets & Catalog Pages

[Micro Quadlok Interconnection System \(MQS\)](#)

English

### Product Specifications

[Application Specification](#)

English

[CONNEXIONS ETANCHES 2,3,4,6,8 ET 12 POSITIONS Micro Quadlock System Micro Twinleaf](#)

English

[Application Specification](#)

English

[SHROUDED CONNECTION, 6 POS.](#)

English

[Application Specification](#)

English