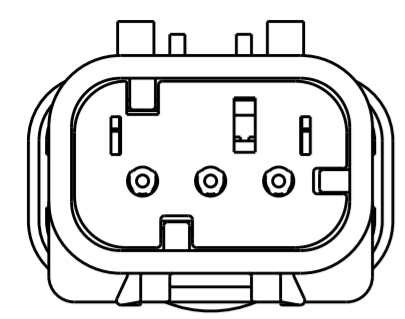
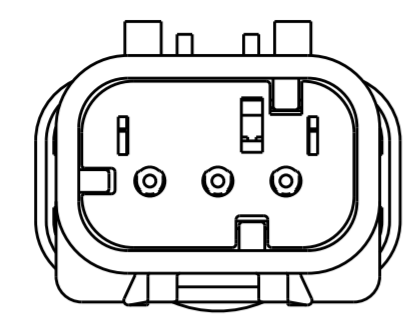


THIS DRAWING IS UNPUBLISHED. RELEASED FOR PUBLICATION
 © COPYRIGHT 20 BY - ALL RIGHTS RESERVED.

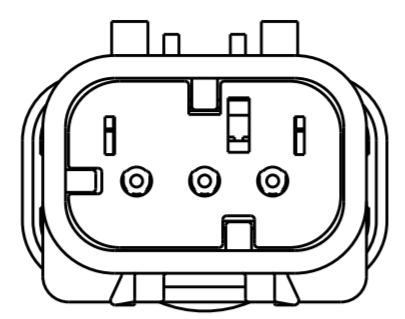
REVISIONS				
P	LTR	DESCRIPTION	DATE	APVD
C		REVISED PER ECO-13-019095	05DEC2013	DR RB



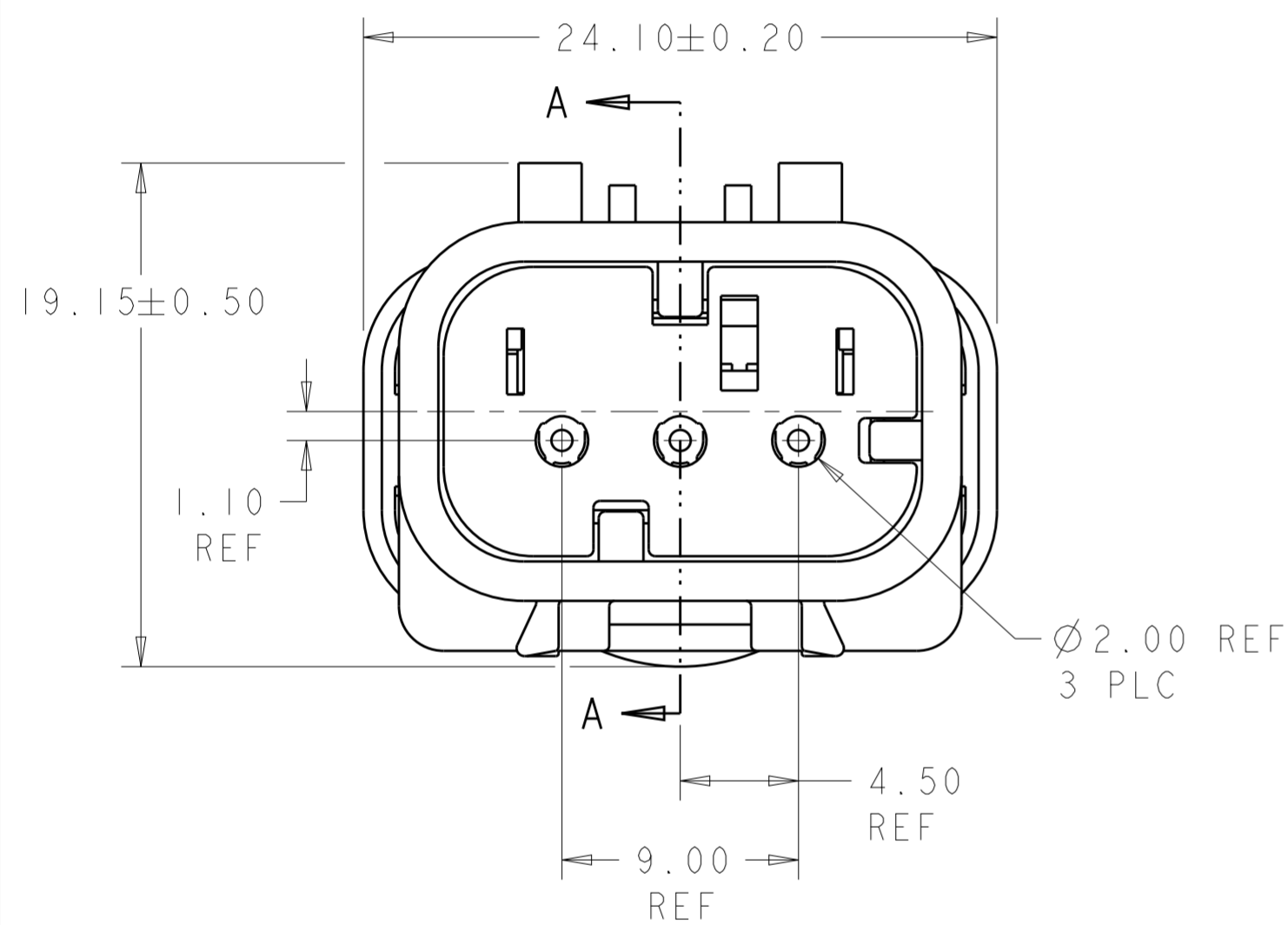
776535-2
SCALE 2:1
KEY B



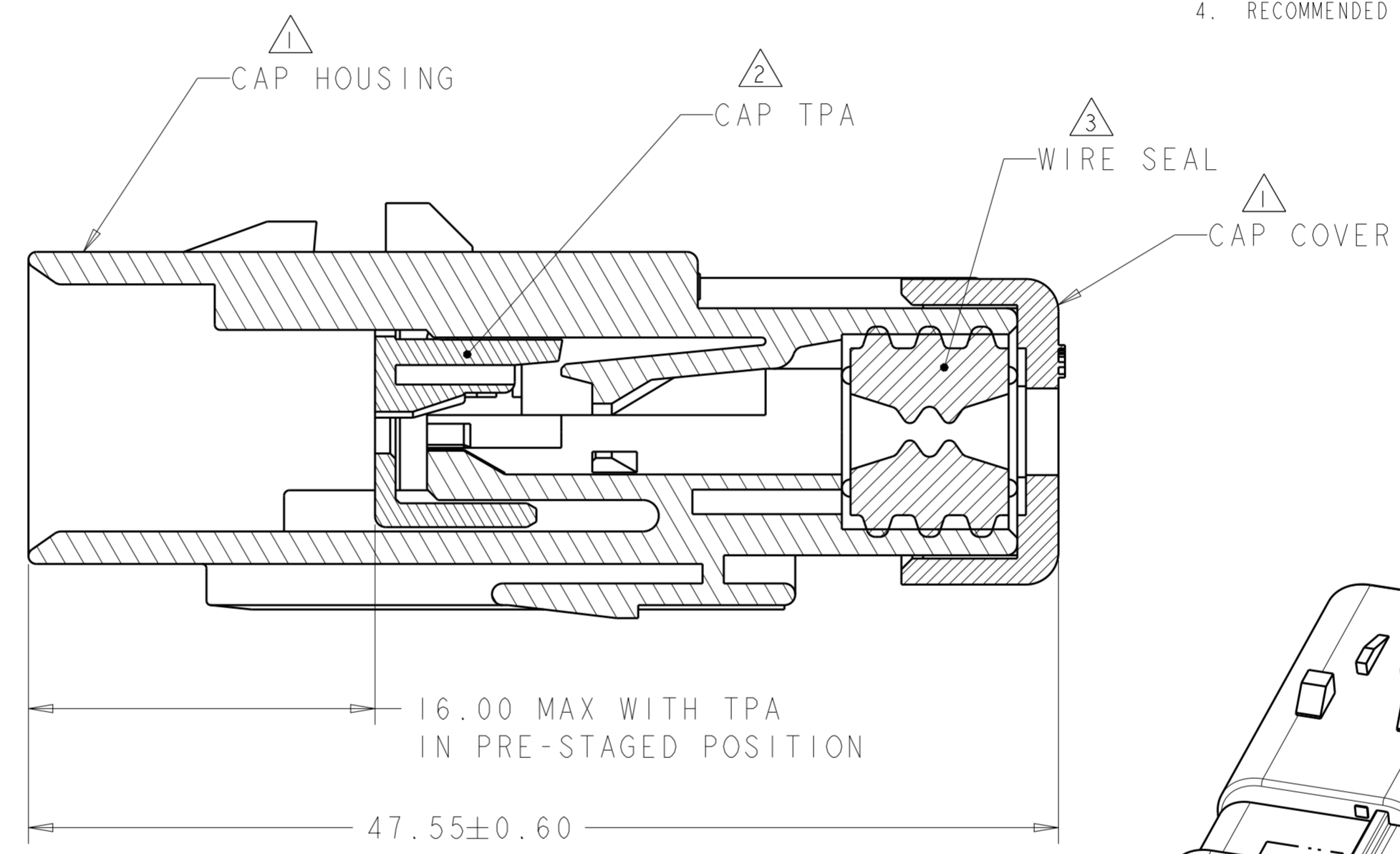
776535-3
SCALE 2:1
KEY C



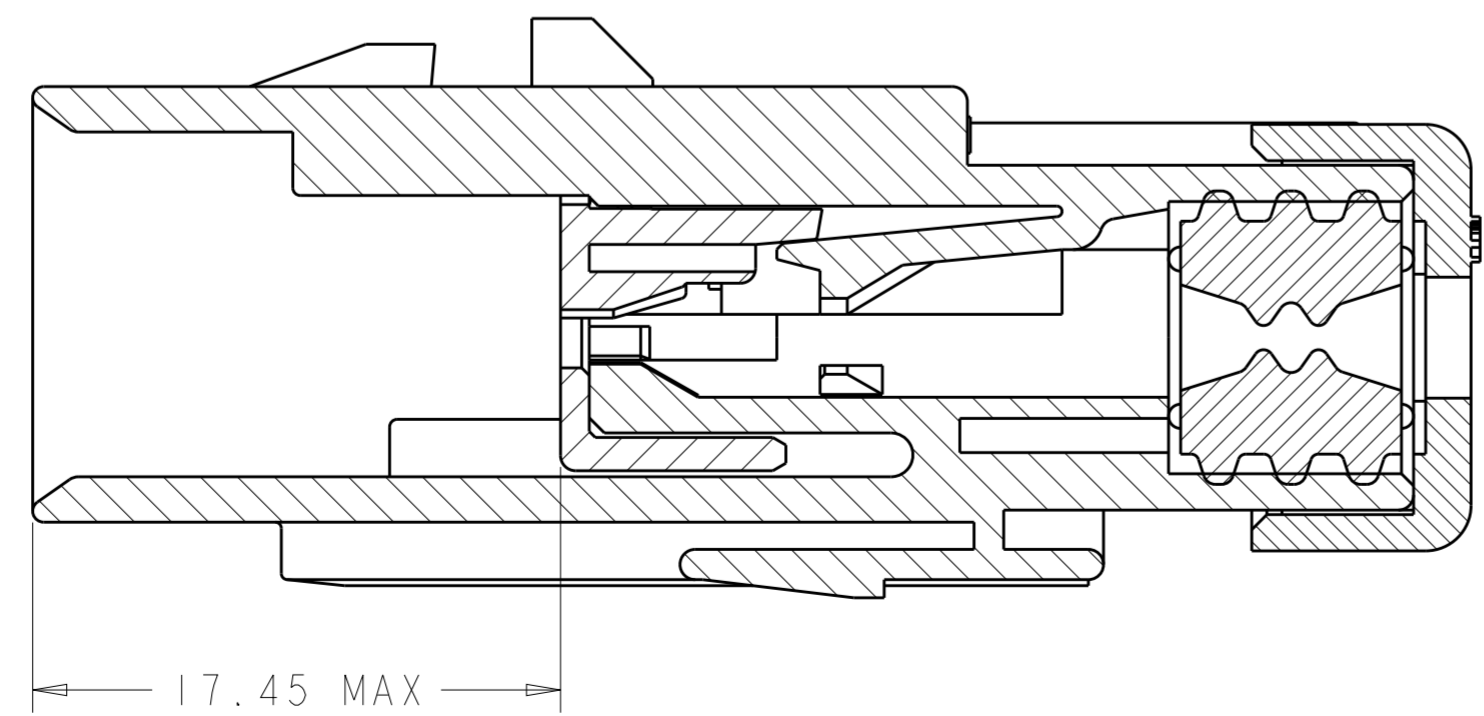
776535-4
SCALE 2:1
KEY D



776535-1 SHOWN
KEY A

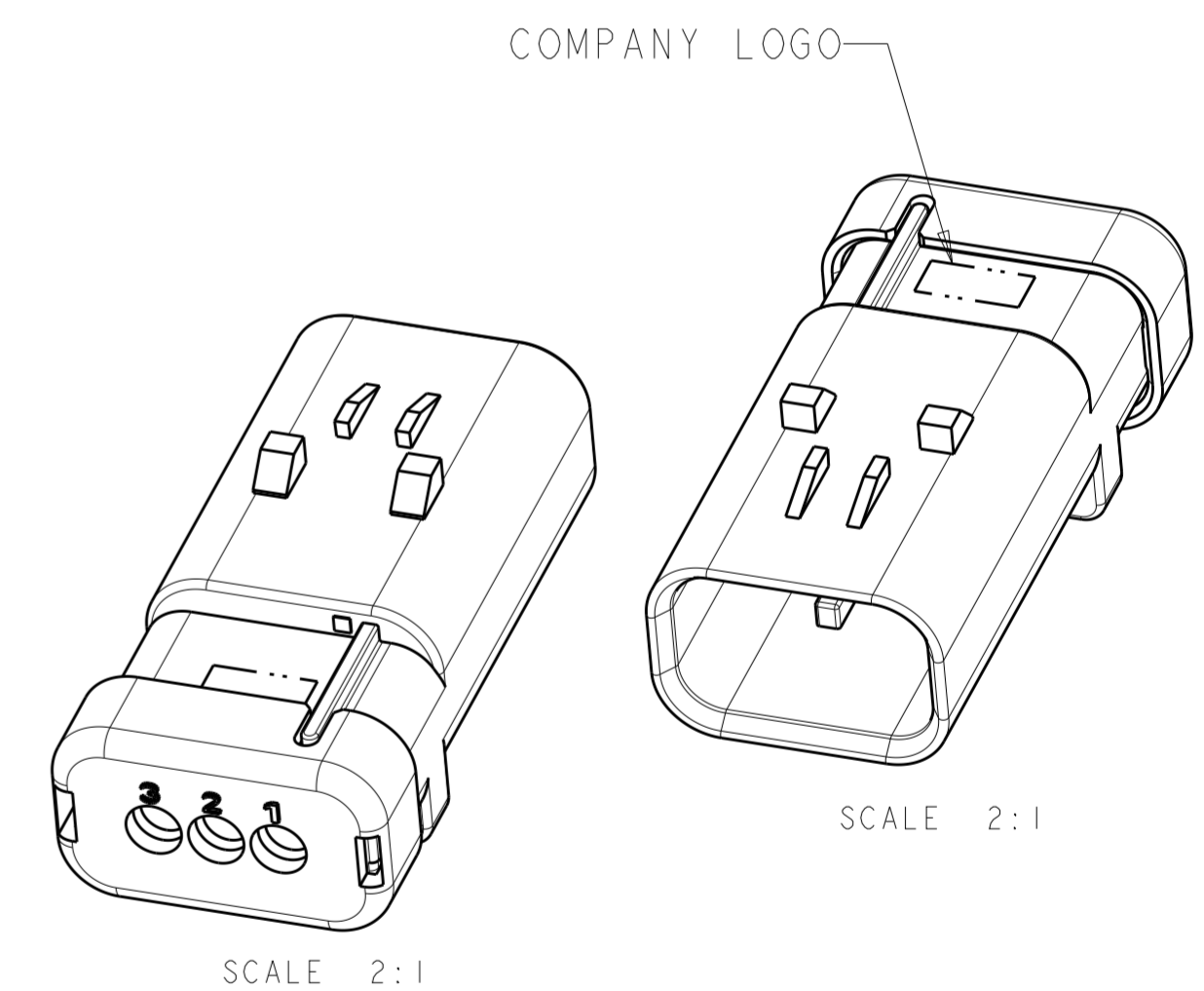


SECTION A-A



SECTION A-A
WITH TPA IN CLOSED POSITION

- 1 MATERIAL: 15% GLASS FILLED THERMOPLASTIC
COLOR: BLACK
- 2 MATERIAL: 15% GLASS FILLED THERMOPLASTIC
COLOR: (SEE TABLE)
- 3 MATERIAL: SILICONE
COLOR: RUST
- 4. RECOMMENDED WIRE DIAMETER RANGE IS 1.30 TO 2.54mm



D	GREEN	776535-4
C	YELLOW	776535-3
B	GRAY	776535-2
A	RED	776535-1
KEY	TPA COLOR	PART NUMBER

THIS DRAWING IS A CONTROLLED DOCUMENT.		DWN Y. PETERSON 22FEB00	TE Connectivity	
DIMENSIONS: mm		CHK R. GREINER 11DEC01		
TOLERANCES UNLESS OTHERWISE SPECIFIED:		APVD M. TRULLI 11DEC01	NAME CAP ASSEMBLY, 3 POSITION, SINGLE ROW, REDUCED DIA WIRE SEAL AMPSEAL 16	
0 PLC	±	PRODUCT SPEC 108-2184	SIZE	CAGE CODE
1 PLC	±	APPLICATION SPEC 114-13065	A200779	C-776535
2 PLC	±	WEIGHT 10	SCALE	4:1
3 PLC	±	Customer Drawing	SHEET	OF
4 PLC	±		REV	C
ANGLES	±			
FINISH	-			