

# UM-D37M/DS/FU/DI120V/C300/R - Interface module



2905868

<https://www.phoenixcontact.com/pc/products/2905868>

Please be informed that the data shown in this PDF document is generated from our online catalog. Please find the complete data in the user documentation. Our general terms of use for downloads are valid.

VARIOFACE 16-channel module intended for use with Honeywell Experion C300 high voltage digital IOTA: CX-TDI110 & CX-TDI120.



## Your advantages

- These VARIOFACE modules are used in combination with the relevant front adapters
- UM-PRO housing
- Designed to be mounted on the right side of the cabinet
- DIN rail mount
- LED blown fusing indication
- Per channel disconnects with test points
- Per channel pluggable 800 mA fusing

## Commercial data

Item number	2905868
Packing unit	1 pc
Minimum order quantity	1 pc
Note	Made to order (non-returnable)
Product key	CK21A3
GTIN	4055626081083
Weight per piece (including packing)	356.5 g
Weight per piece (excluding packing)	3.564 g
Customs tariff number	85369010
Country of origin	US

## Technical data

### Notes

General	For proper use, the specifications of the installation directive (see Downloads) must be observed.
---------	--

### Product properties

Product type	Interface module
No. of channels	16

### Insulation characteristics

Overvoltage category	II
Pollution degree	2

### Electrical properties

No. of channels	16
-----------------	----

### Supported controller HONEYWELL Experion PKS C300/C-Series

Suitable I/O card	TDI110 (non-redundant)
	TDI120 (redundant)

### Connection data

#### Field level

Connection method	Screw connection with disconnect knife
Stripping length	8 mm
Screw thread	M 3
Conductor cross section rigid	0.2 mm <sup>2</sup> ... 4 mm <sup>2</sup>
Conductor cross section flexible	0.2 mm <sup>2</sup> ... 2.5 mm <sup>2</sup>
Conductor cross section AWG	24 ... 12

#### Controller level

Connection method	D-SUB pin strip
Number of connections	1
Number of positions	37

### Signaling

Status display present	Yes, if the fuse fails
------------------------	------------------------

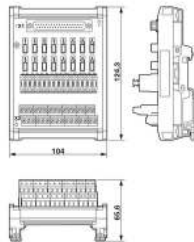
### Dimensions

# UM-D37M/DS/FU/DI120V/C300/R - Interface module



2905868

<https://www.phoenixcontact.com/pc/products/2905868>

Dimensional drawing	
Width	100 mm
Height	142.3 mm
Depth	65.6 mm

## Environmental and real-life conditions

### Ambient conditions

Ambient temperature (operation)	-40 °C ... 70 °C
Ambient temperature (storage/transport)	-40 °C ... 75 °C
Altitude	< 2000 m
Permissible humidity (operation)	< 90 %
Permissible humidity (storage/transport)	< 90 %

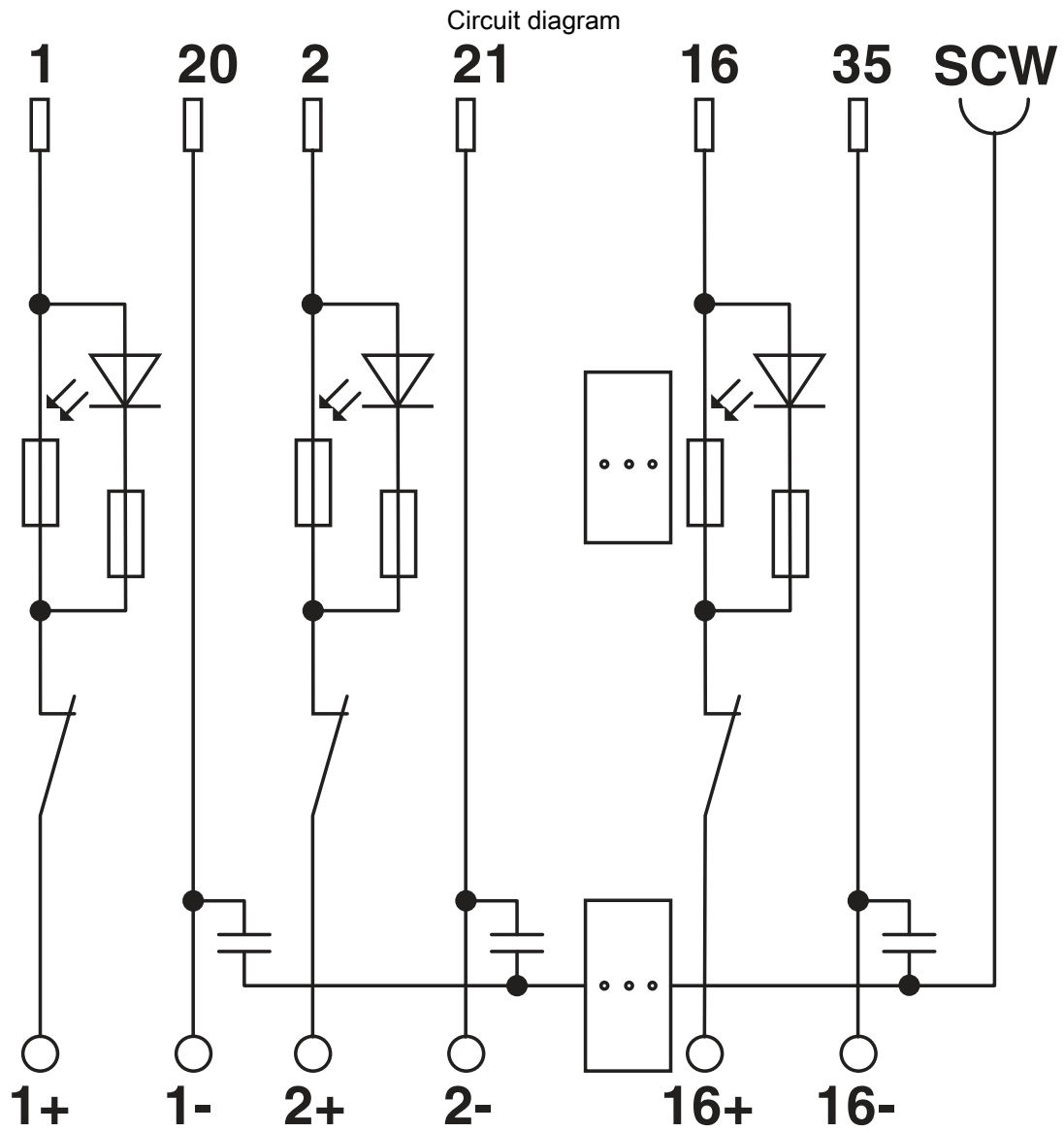
## Standards and regulations

Standards/regulations	DIN EN 50178
-----------------------	--------------

## Mounting

Mounting type	DIN rail mounting
---------------	-------------------

Drawings



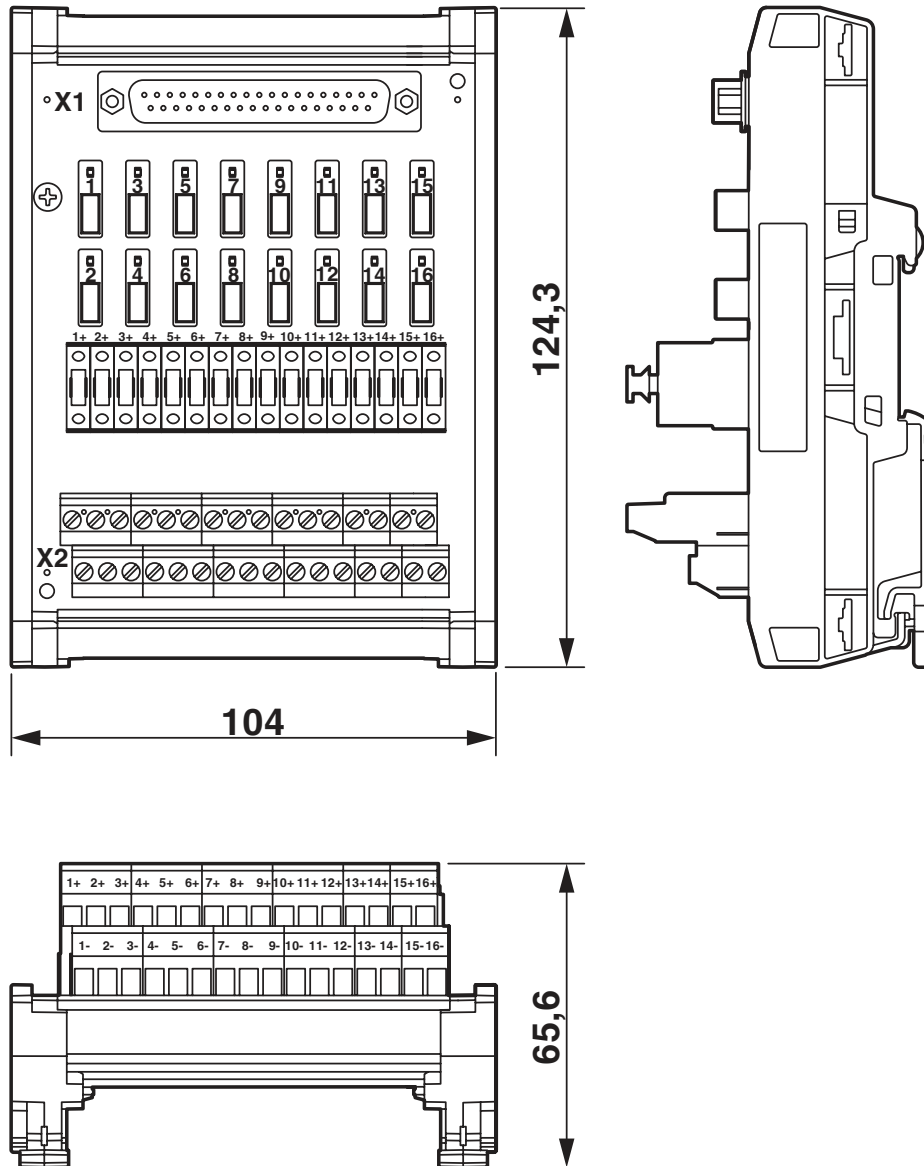
# UM-D37M/DS/FU/DI120V/C300/R - Interface module



2905868

<https://www.phoenixcontact.com/pc/products/2905868>

Dimensional drawing



# UM-D37M/DS/FU/DI120V/C300/R - Interface module



2905868

<https://www.phoenixcontact.com/pc/products/2905868>

## Approvals

To download certificates, visit the product detail page: <https://www.phoenixcontact.com/pc/products/2905868>



**cUL Recognized**

Approval ID: FILE E 238705



**UL Recognized**

Approval ID: FILE E 238705

**cULus Recognized**

# UM-D37M/DS/FU/DI120V/C300/R - Interface module



2905868

<https://www.phoenixcontact.com/pc/products/2905868>

## Classifications

### ECLASS

ECLASS-11.0	27141152
ECLASS-12.0	27141152
ECLASS-13.0	27141152

### ETIM

ETIM 8.0	EC002780
----------	----------

### UNSPSC

UNSPSC 21.0	39121400
-------------	----------

# UM-D37M/DS/FU/DI120V/C300/R - Interface module



2905868

<https://www.phoenixcontact.com/pc/products/2905868>

## Environmental product compliance

REACH SVHC	Lead 7439-92-1
China RoHS	Environmentally Friendly Use Period = 50 years
	For information on hazardous substances, refer to the manufacturer's declaration available under "Downloads"



# UM-D37M/DS/FU/DI120V/C300/R - Interface module



2905868

<https://www.phoenixcontact.com/pc/products/2905868>

## Mandatory accessories

### FLKM-PA-D37/HW/DIO/C300 - Front adapter

2901423

<https://www.phoenixcontact.com/pc/products/2901423>



VARIOFACE front adapter, for Honeywell C300, Series C I/O, maximum of 1 x 16 channels can be connected (37-pos. D-SUB connector). Specifically for connecting digital, redundant I/O cards.

---

## Accessories

### CABLE-D37SUB/B/B/ 100/KONFEK/S - Cable

2305509

<https://www.phoenixcontact.com/pc/products/2305509>



Assembled shielded round cable; connection 1: D-SUB socket strip (1x 37-position); connection 2: D-SUB socket strip (1x 37-position); cable length: 1 m

# UM-D37M/DS/FU/DI120V/C300/R - Interface module



2905868

<https://www.phoenixcontact.com/pc/products/2905868>

## CABLE-D37SUB/B/B/ 200/KONFEK/S - Cable

2305512

<https://www.phoenixcontact.com/pc/products/2305512>



Assembled shielded round cable; connection 1: D-SUB socket strip (1x 37-position); connection 2: D-SUB socket strip (1x 37-position); cable length: 2 m

---

## CABLE-D37SUB/B/B/ 300/KONFEK/S - Cable

2305525

<https://www.phoenixcontact.com/pc/products/2305525>



Assembled shielded round cable; connection 1: D-SUB socket strip (1x 37-position); connection 2: D-SUB socket strip (1x 37-position); cable length: 3 m

# UM-D37M/DS/FU/DI120V/C300/R - Interface module



2905868

<https://www.phoenixcontact.com/pc/products/2905868>

## CABLE-D37SUB/B/B/ 400/KONFEK/S - Cable

2900759

<https://www.phoenixcontact.com/pc/products/2900759>



Assembled shielded round cable; connection 1: D-SUB socket strip (1x 37-position); connection 2: D-SUB socket strip (1x 37-position); cable length: 4 m

---

## CABLE-D37SUB/B/B/ 600/KONFEK/S - Cable

2900760

<https://www.phoenixcontact.com/pc/products/2900760>



Assembled shielded round cable; connection 1: D-SUB socket strip (1x 37-position); connection 2: D-SUB socket strip (1x 37-position); cable length: 6 m

# UM-D37M/DS/FU/DI120V/C300/R - Interface module



2905868

<https://www.phoenixcontact.com/pc/products/2905868>

## CABLE-D37SUB/B/B/ 800/KONFEK/S - Cable

2900761

<https://www.phoenixcontact.com/pc/products/2900761>



Assembled shielded round cable; connection 1: D-SUB socket strip (1x 37-position); connection 2: D-SUB socket strip (1x 37-position); cable length: 8 m

---

## CABLE-D37SUB/B/B/1000/KONFEK/S - Cable

2900762

<https://www.phoenixcontact.com/pc/products/2900762>



Assembled shielded round cable; connection 1: D-SUB socket strip (1x 37-position); connection 2: D-SUB socket strip (1x 37-position); cable length: 10 m

# UM-D37M/DS/FU/DI120V/C300/R - Interface module



2905868

<https://www.phoenixcontact.com/pc/products/2905868>

## CABLE-D37SUB/B/B/1500/KONFEK/S - Cable

2900763

<https://www.phoenixcontact.com/pc/products/2900763>



Assembled shielded round cable; connection 1: D-SUB socket strip (1x 37-position); connection 2: D-SUB socket strip (1x 37-position); cable length: 15 m

---

## CABLE-D37SUB/B/B/2000/KONFEK/S - Cable

2900764

<https://www.phoenixcontact.com/pc/products/2900764>



Assembled shielded round cable; connection 1: D-SUB socket strip (1x 37-position); connection 2: D-SUB socket strip (1x 37-position); cable length: 20 m

# UM-D37M/DS/FU/DI120V/C300/R - Interface module



2905868

<https://www.phoenixcontact.com/pc/products/2905868>

## CABLE-D37SUB/B/B/2500/KONFEK/S - Cable

2902074

<https://www.phoenixcontact.com/pc/products/2902074>



Assembled shielded round cable; connection 1: D-SUB socket strip (1x 37-position); connection 2: D-SUB socket strip (1x 37-position); cable length: 25 m

---

## CABLE-D37SUB/B/B/3000/KONFEK/S - Cable

2902075

<https://www.phoenixcontact.com/pc/products/2902075>



Assembled shielded round cable; connection 1: D-SUB socket strip (1x 37-position); connection 2: D-SUB socket strip (1x 37-position); cable length: 30 m

# UM-D37M/DS/FU/DI120V/C300/R - Interface module



2905868

<https://www.phoenixcontact.com/pc/products/2905868>

## CABLE-D37SUB/B/B/3500/KONFEK/S - Cable

2902076

<https://www.phoenixcontact.com/pc/products/2902076>



Assembled shielded round cable; connection 1: D-SUB socket strip (1x 37-position); connection 2: D-SUB socket strip (1x 37-position); cable length: 35 m

---

## CABLE-D37SUB/B/B/4000/KONFEK/S - Cable

2902077

<https://www.phoenixcontact.com/pc/products/2902077>



Assembled shielded round cable; connection 1: D-SUB socket strip (1x 37-position); connection 2: D-SUB socket strip (1x 37-position); cable length: 40 m

# UM-D37M/DS/FU/DI120V/C300/R - Interface module



2905868

<https://www.phoenixcontact.com/pc/products/2905868>

## CABLE-D37SUB/B/B/HF/S/ 1,0M - Cable

2908516

<https://www.phoenixcontact.com/pc/products/2908516>



Assembled, shielded, halogen-free round cable; connection 1: D-SUB socket strip (1x 37-position); connection 2: D-SUB socket strip (1x 37-position); cable length: 1 m

---

## CABLE-D37SUB/B/B/HF/S/ 2,0M - Cable

2908517

<https://www.phoenixcontact.com/pc/products/2908517>



Assembled, shielded, halogen-free round cable; connection 1: D-SUB socket strip (1x 37-position); connection 2: D-SUB socket strip (1x 37-position); cable length: 2 m



# UM-D37M/DS/FU/DI120V/C300/R - Interface module



2905868

<https://www.phoenixcontact.com/pc/products/2905868>

## CABLE-D37SUB/B/B/HF/S/ 3,0M - Cable

2908518

<https://www.phoenixcontact.com/pc/products/2908518>



Assembled, shielded, halogen-free round cable; connection 1: D-SUB socket strip (1x 37-position); connection 2: D-SUB socket strip (1x 37-position); cable length: 3 m

---

## CABLE-D37SUB/B/B/HF/S/10,0M - Cable

2908522

<https://www.phoenixcontact.com/pc/products/2908522>



Assembled, shielded, halogen-free round cable; connection 1: D-SUB socket strip (1x 37-position); connection 2: D-SUB socket strip (1x 37-position); cable length: 10 m

# UM-D37M/DS/FU/DI120V/C300/R - Interface module



2905868

<https://www.phoenixcontact.com/pc/products/2905868>

## CABLE-D37SUB/B/B/HF/S/15,0M - Cable

2908523

<https://www.phoenixcontact.com/pc/products/2908523>



Assembled, shielded, halogen-free round cable; connection 1: D-SUB socket strip (1x 37-position); connection 2: D-SUB socket strip (1x 37-position); cable length: 15 m

---

## CABLE-D37SUB/B/B/HF/S/20,0M - Cable

2908525

<https://www.phoenixcontact.com/pc/products/2908525>



Assembled, shielded, halogen-free round cable; connection 1: D-SUB socket strip (1x 37-position); connection 2: D-SUB socket strip (1x 37-position); cable length: 20 m

# UM-D37M/DS/FU/DI120V/C300/R - Interface module



2905868

<https://www.phoenixcontact.com/pc/products/2905868>

## CABLE-D37SUB/B/B/HF/S/25,0M - Cable

2908526

<https://www.phoenixcontact.com/pc/products/2908526>



Assembled, shielded, halogen-free round cable; connection 1: D-SUB socket strip (1x 37-position); connection 2: D-SUB socket strip (1x 37-position); cable length: 25 m

---

## CABLE-D37SUB-B-B-HF-S/... - Cable

1075563

<https://www.phoenixcontact.com/pc/products/1075563>



Assembled, shielded, halogen-free round cable; connection 1: D-SUB socket strip (1x 37-position); connection 2: D-SUB socket strip (1x 37-position); cable length: variable

# UM-D37M/DS/FU/DI120V/C300/R - Interface module



2905868

<https://www.phoenixcontact.com/pc/products/2905868>

## FUSE/TE5/800MA/F-10PCS - Fuse set

2905969

<https://www.phoenixcontact.com/pc/products/2905969>



Plug-in fuse (TE5<sup>®</sup>); nominal current: 800 mA; tripping behavior: fast-blow (F)

---

Phoenix Contact 2023 © - all rights reserved

<https://www.phoenixcontact.com>

PHOENIX CONTACT GmbH & Co. KG

Flachsmarktstraße 8

D-32825 Blomberg

+49 (0) 5235-3 00

[info@phoenixcontact.com](mailto:info@phoenixcontact.com)