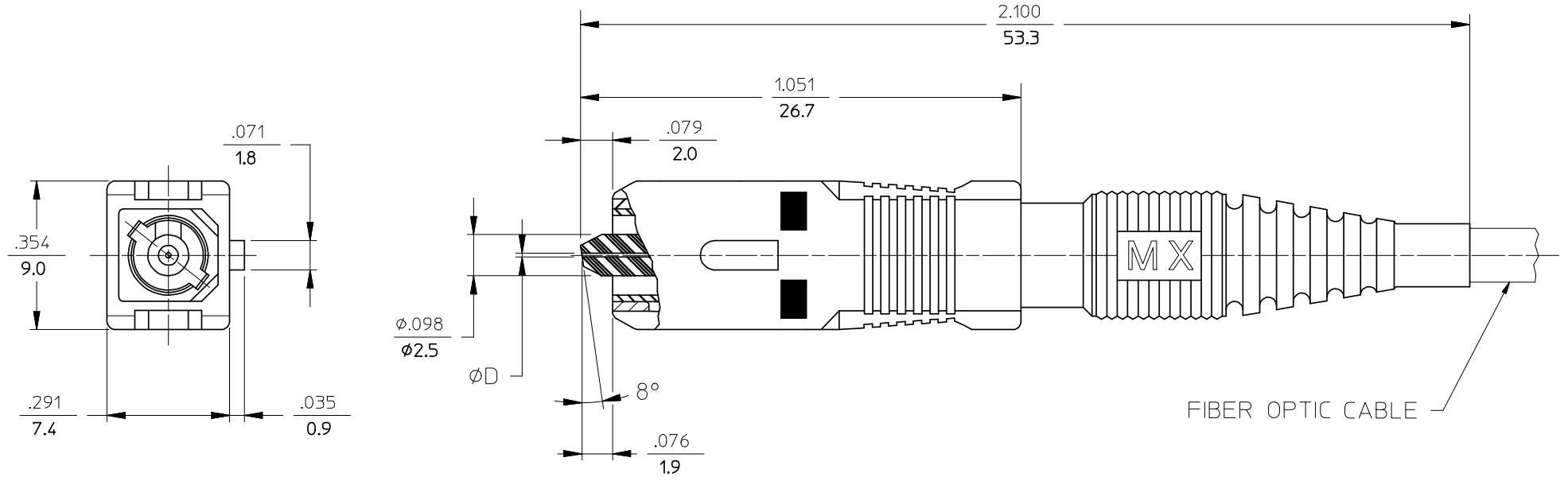


P/N of SC CONNECTOR	∅D (μm)	MATERIAL OF FERRULE	FIBER OPTIC CABLE SIZE(mm)
106065-2000	125.5	Zr	3
106065-2300			2.4
106065-4000	126		3
106065-5000			2.4
106065-5100*			
106065-5300			
106065-5700*			



NOTES:  
 \*1. P/N 106065-5100 IS BULK PACKED IN QUANTITIES OF 100 PCS.

ENTER DESCRIPTION EC NO: MF2008-0435 DRAWN:KPEVZNER 2008/04/09 CHKD: 2008/04/09 APPR: IGUMIN 2008/04/10 A1	QUALITY SYMBOLS ▽=0 ▽=0	GENERAL TOLERANCES (UNLESS SPECIFIED) <table border="1"> <thead> <tr> <th></th> <th>mm</th> <th>INCH</th> </tr> </thead> <tbody> <tr> <td>4 PLACES</td> <td>±---</td> <td>±---</td> </tr> <tr> <td>3 PLACES</td> <td>±---</td> <td>±---</td> </tr> <tr> <td>2 PLACES</td> <td>±---</td> <td>±---</td> </tr> <tr> <td>1 PLACE</td> <td>±---</td> <td>±---</td> </tr> </tbody> </table> ANGULAR ±1/2°		mm	INCH	4 PLACES	±---	±---	3 PLACES	±---	±---	2 PLACES	±---	±---	1 PLACE	±---	±---	DIMENSION STYLE IN/MM	SCALE 5:1	DESIGN UNITS INCH	THIRD ANGLE PROJECTION
		mm	INCH																		
	4 PLACES	±---	±---																		
	3 PLACES	±---	±---																		
2 PLACES	±---	±---																			
1 PLACE	±---	±---																			
		DRAWN BY PGIBLIN	DATE 2005/09/26	TITLE SC APC CONNECTOR																	
		CHECKED BY	DATE	APPROVED BY																	
		MATERIAL NO. SEE TABLE		DOCUMENT NO. SD-106065-XX00	SHEET NO. 1 OF 1																

THIS DRAWING CONTAINS INFORMATION THAT IS PROPRIETARY TO MOLEX INCORPORATED AND SHOULD NOT BE USED WITHOUT WRITTEN PERMISSION