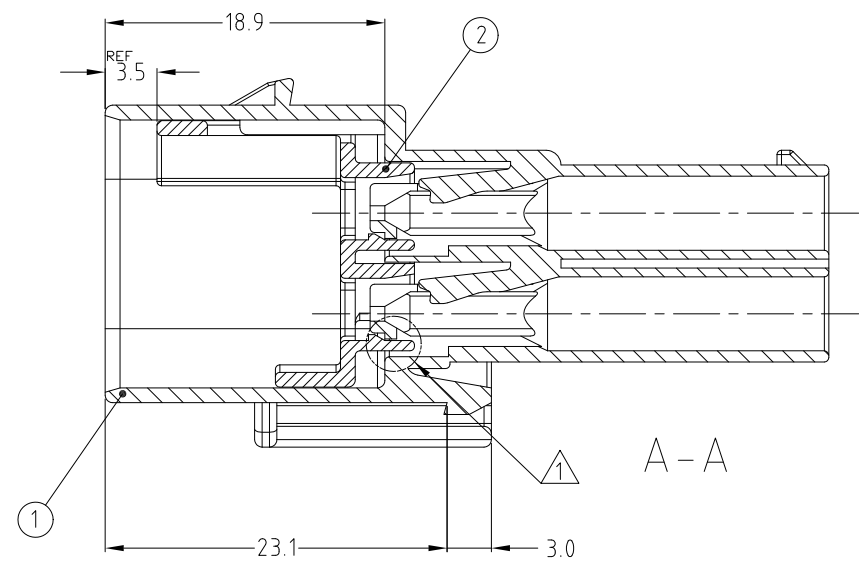
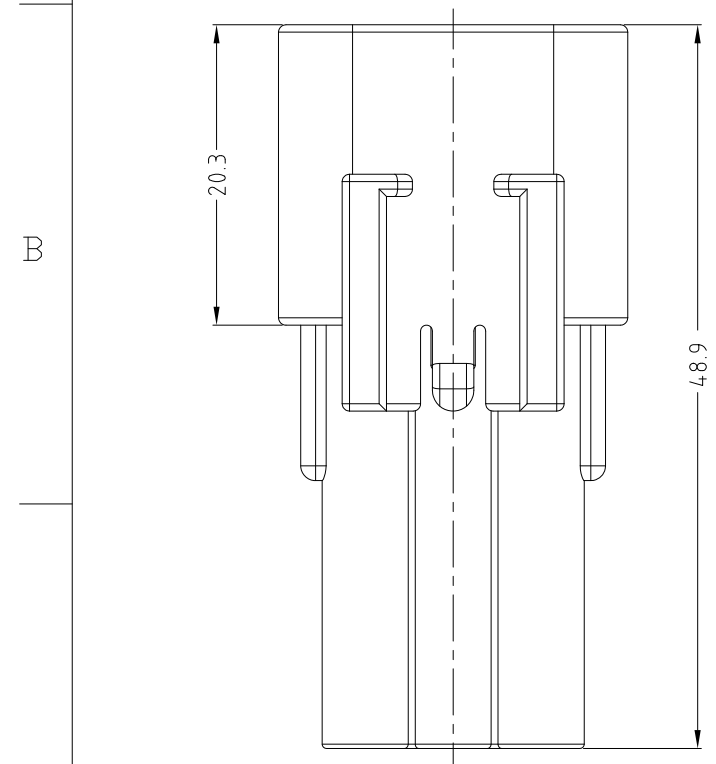
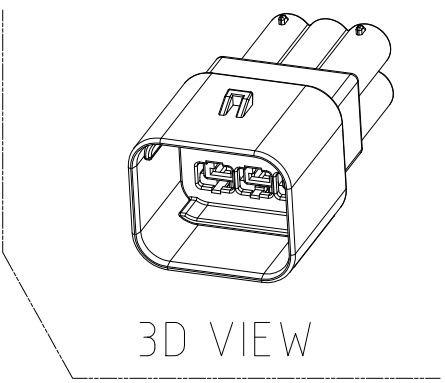
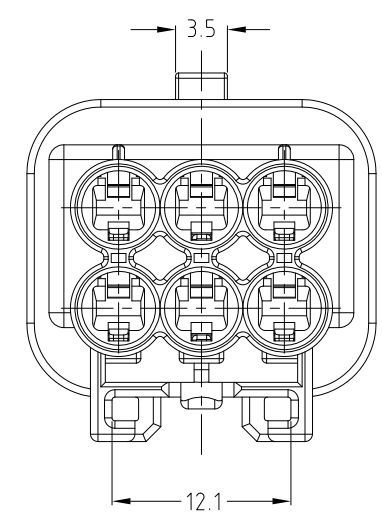
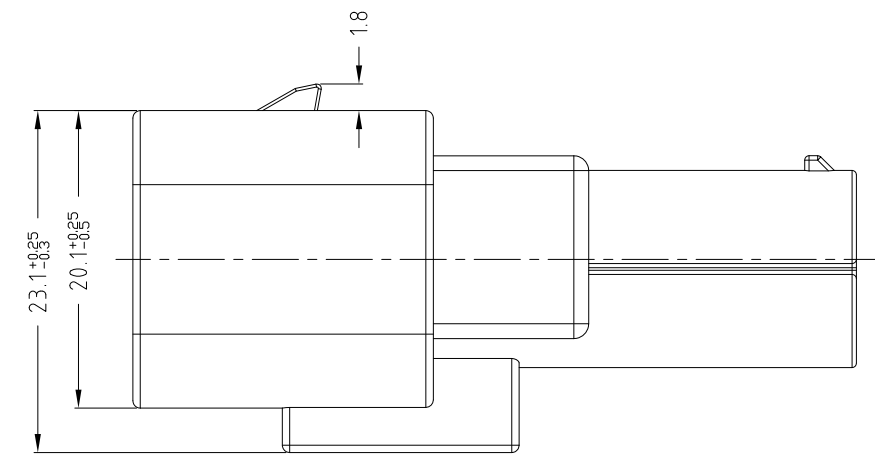
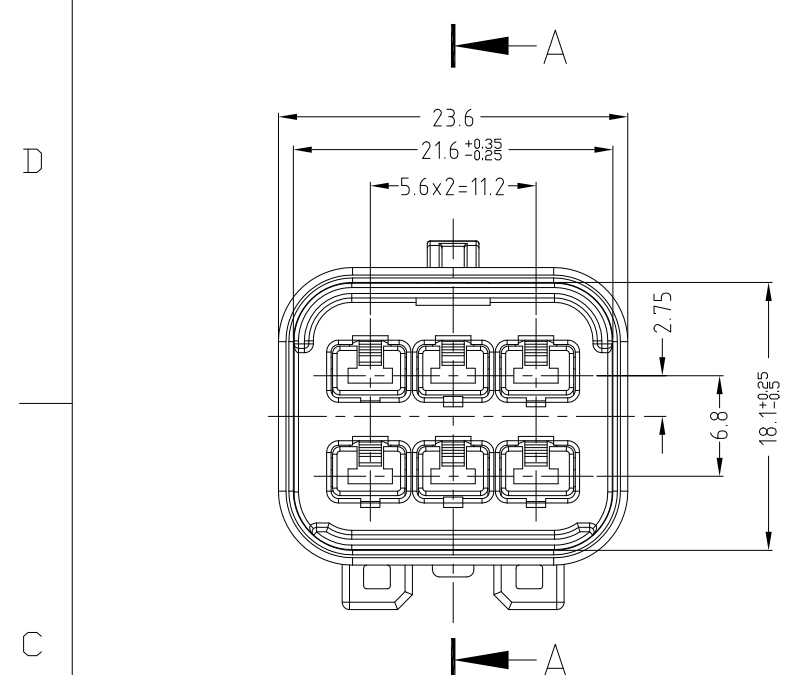


THIS DRAWING IS UNPUBLISHED. RELEASED FOR PUBLICATION, 1997.  
 © COPYRIGHT 1997 BY AMP INCORPORATED. ALL RIGHTS RESERVED.

LOC	DIST	REVISIONS			
P	LTR	DESCRIPTION	DATE	DWN	APVD
	A	REVISED (FC00-0289-04)	16,NOV,'04	YH	CS
	B	REVISED (ECR-05-002931)	11,MAY,'05	YH	CS
	B1	REVISED (ECR-08-020978)	21,AUG,'08	DR	HG



NOTE:  
 1. CONDITION OF DELIVERY : DBL PLATE IN OPEN POSITION.  
 2. APPLIED TAB CONTACT P/N:

CONTACT	MCP-E TERMINAL	
Part NO.	936612-1	936613-1
WIRE SIZE(mm <sup>2</sup> )	1.0~2.5SQ	0.5~1.0SQ

3. APPLIED FEMALE CONNECTOR P/N : 936257-2  
 4. APPLIED COVER HSG P/N : 936759-2

NO	FINISH/COLOR	MATERIAL	DESCRIPTION	Q'TY	CAP ASSY	CAP ASSY	DESCRIPTION	ASSY P/N
2	WHITE	PBT GF10	CAP DBL HOUSING FOR MCP-E 6P	1	1			0-936294-3
1	GRAY	PBT	MCP-E SEALED 6P CAP HOUSING	1				0-936294-2
	BLACK	PBT	MCP-E SEALED 6P CAP HOUSING			1		

THIS DRAWING IS CONTROLLED DOCUMENT FOR AMP INCORPORATED. IT IS SUBJECT TO CHANGE AND THE CONTROLLING ENGINEERING ORGANIZATION SHOULD BE CONTACTED FOR THE LATEST REVISION.		DWN DR GOD	Tyco Electronics Kyungsan, Korea		
DIMENSIONS: MM		CHK YM CHOI			
TOLERANCES UNLESS OTHERWISE SPECIFIED: 0 <XX<10 ± 0.2 10<XX<30 ± 0.25 30<XX ± 0.3 ANGLES ± 3°		APVD HG CHO	NAME		
3rd ANGLE PROJECTION		PRODUCT SPEC ---	MCP-E SEALED 6P CAP ASS'Y		
MATERIAL SEE TABLE		APPLICATION SPEC ---	SIZE A3	CAGE CODE 00779	DRAWING NO 936294
FINISH SEE TABLE		WEIGHT ---	CUSTOMER DRAWING		
		SCALE 2:1	SHEET 1 OF 1	REV B1	