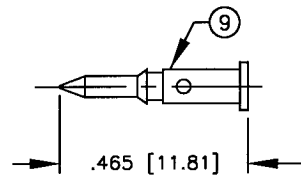
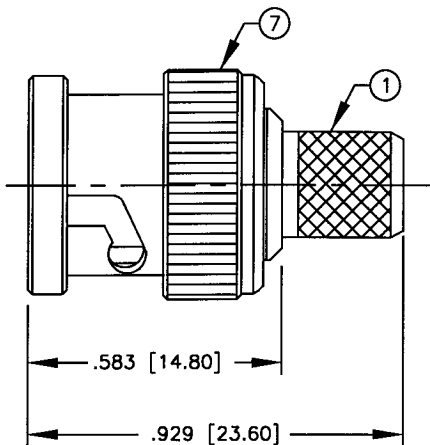


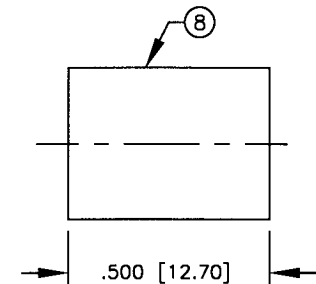
THIS DRAWING CONTAINS INFORMATION PROPRIETARY TO RF INDUSTRIES.
 ANY UNAUTHORIZED USE OF THIS DRAWING IS EXPRESSLY PROHIBITED
 WITHOUT WRITTEN PERMISSION FROM RF INDUSTRIES.
 ANY VIOLATION IS PUNISHABLE UNDER U.S. COPYRIGHT LAWS.

ALL DIMENSIONS ARE REFERENCE ONLY

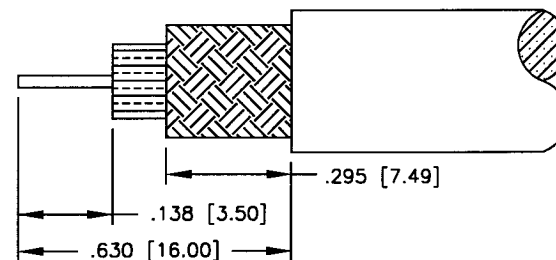
PART NO.		RFB-1708-1T		
REV	DESCRIPTION	DWN	DATE	APPROVED
-	ENGINEERING RELEASE	CZS	9/19/02	JDMc



PIN TO BE SOLDERED



SUGGESTED CRIMP DIE: .315



SUGGESTED STRIPPING INSTRUCTIONS

SPECIFICATIONS:

IMPEDANCE: 75 Ohms
 FREQUENCY RANGE: 0-1 GHz
 WORKING VOLTAGE: 500 V rms @ sea level
 TEMPERATURE RANGE: -65°C TO 85°C
 INSULATION RESISTANCE: 5k M Ohms min.
 FOR BELDEN 8281, 8281B, 8281F, 9231 & WE 724 CABLE

1	BODY	1	BRASS	SILVER, 30μ"	007777	
2	WASHER	1	BRASS	SILVER, 30μ"		
3	SPRING	1	SK5	----		
4	WASHER	1	BRASS	SILVER, 30μ"		
5	GASKET	1	RUBBER	----		
6	INSULATOR	1	PTFE	----		
7	SHELL	1	BRASS	SILVER, 30μ"		
8	FERRULE	1	BRASS	SILVER, 30μ"		
9	PIN	1	BRASS	GOLD, 3μ"		
10						
11						
12						
13						
14						
#	DESCRIPTION	QTY	MATERIAL	FINISH	APPROVALS	DATE

UNLESS OTHERWISE SPECIFIED:
 1. REMOVE ALL BURRS
 2. BREAK ALL CORNERS & EDGES .005 R. MAX.
 3. CHAMFER 1ST & LAST THREADS 45°
 4. SURFACE ROUGHNESS 63 FINISH MIL-STD-10
 5. DIAMETERS ON COMMON CENTERS TO BE CONCENTRIC WITHIN .002 T.I.R.
 6. ALL DIMENSIONS ARE AFTER PLATING.

DIMENSIONS ARE IN INCHES AND [MILLIMETERS]
 UNLESS OTHERWISE NOTED TOLERANCES ARE:

DECIMALS	DIAMETER
.xxx±.003 [.08]	.xxx±.001 [.03]
.xx±.005 [.13]	.xx±.003 [.08]

RF connectors
 DIVISION OF RF INDUSTRIES, LTD.

7610 MIRAMAR RD
 SAN DIEGO, CA 92126
 (858) 549-6340
 (858) 549-6345 FAX

BNC PLUG, CRIMP			
SIZE A	CABLE GROUP G	DWG NO. RFB-1708-1T	REV -
SCALE: NTS		CAD FILE OUTLINE	SHEET 1 OF 1