



Industrial USB IP20

TE Internal #: 2040305-1

USB Connectors, A, 2.0, Standard Profile, Plug, 1 Port, Cable Mount, Straight, Bag, IP20, Wire-to-Wire, 4 Position, Wire & Cable, Industrial USB IP20

[View on TE.com >](#)

Connectors > Audio & Video Connectors > USB Connectors



USB Adapter Type: **A**

USB Version: **2.0**

Connector Profile: **Standard**

Connector & Housing Type: **Plug**

Number of Ports: **1**

Features

Product Type Features

Integral Locking Latch	With
USB Adapter Type	A
USB Version	2.0
Connector & Housing Type	Plug
Connector System	Wire-to-Wire
Sealable	No
Connector & Contact Terminates To	Wire & Cable
USB Connector Type	USB 2.0 Type-A

Configuration Features

Number of Ports	1
Number of Positions	4

Body Features

Shell Plating Material	Nickel over Copper
Connector Profile	Standard



Contact Features

Contact Mating Area Plating Material Thickness	.76 µm[29.92 µin]
Contact Mating Area Plating Material	Gold
Contact Current Rating (Max)	1.5 A

Mechanical Attachment

Locking Feature	With
PCB Mount Location	Cable Mount
PCB Mount Retention Type	None
Connector Mounting Type	Cable Mount (Free-Hanging)

Housing Features

Housing Material	Plastic
Housing Color	Black
Body Orientation	Straight

Usage Conditions

Soldering Temperature (Max)	350 °C[662 °F]
Operating Temperature Range	-55 – 85 °C[-67 – 185 °F]

Operation/Application

Assembly Process Feature	None
Circuit Application	Power, Signal & High Speed Data

Industry Standards

Industry Standard	USB 2.0
IP Rating	IP20

Packaging Features

Packaging Quantity	500
Packaging Method	Bag

Other

Audio & Video Connector Comment	Latching USB Plug
---------------------------------	-------------------

Product Compliance

For compliance documentation, visit the product page on TE.com>

EU RoHS Directive 2011/65/EU	Compliant
------------------------------	-----------



EU ELV Directive 2000/53/EC	Compliant
China RoHS 2 Directive MIIT Order No 32, 2016	No Restricted Materials Above Threshold
EU REACH Regulation (EC) No. 1907/2006	Current ECHA Candidate List: JUNE 2023 (235) Candidate List Declared Against: JUNE 2023 (235) Does not contain REACH SVHC
Halogen Content	Not Low Halogen - contains Br or Cl > 900 ppm.
Solder Process Capability	Not applicable for solder process capability

Product Compliance Disclaimer

This information is provided based on reasonable inquiry of our suppliers and represents our current actual knowledge based on the information they provided. This information is subject to change. The part numbers that TE has identified as EU RoHS compliant have a maximum concentration of 0.1% by weight in homogenous materials for lead, hexavalent chromium, mercury, PBB, PBDE, DBP, BBP, DEHP, DIBP, and 0.01% for cadmium, or qualify for an exemption to these limits as defined in the Annexes of Directive 2011/65/EU (RoHS2). Finished electrical and electronic equipment products will be CE marked as required by Directive 2011/65/EU. Components may not be CE marked. Additionally, the part numbers that TE has identified as EU ELV compliant have a maximum concentration of 0.1% by weight in homogenous materials for lead, hexavalent chromium, and mercury, and 0.01% for cadmium, or qualify for an exemption to these limits as defined in the Annexes of Directive 2000/53/EC (ELV). Regarding the REACH Regulation, the information TE provides on SVHC in articles for this part number is based on the latest European Chemicals Agency (ECHA) 'Guidance on requirements for substances in articles' posted at this URL: <https://echa.europa.eu/guidance-documents/guidance-on-reach>

Compatible Parts



Also in the Series | Industrial USB IP20



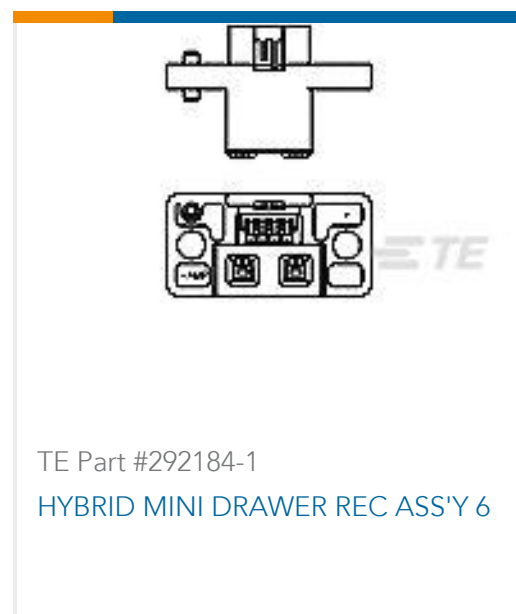
Customers Also Bought



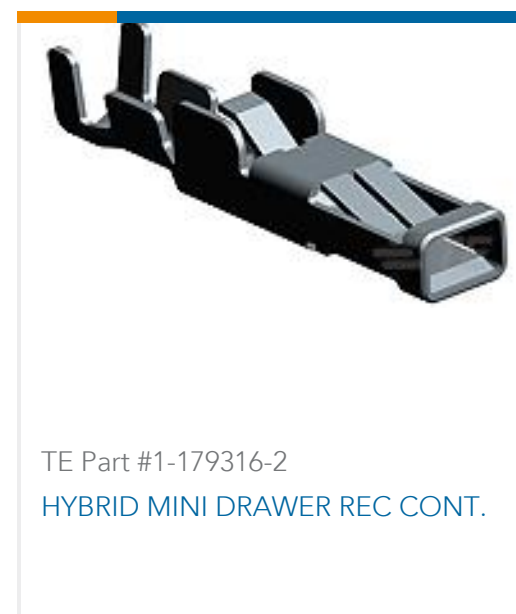
TE Part #2-353294-6
AMP MINI D/R HDR HSG 26P NATU



TE Part #2-353294-2
AMP MINI D/R HDR HSG 22P NATU



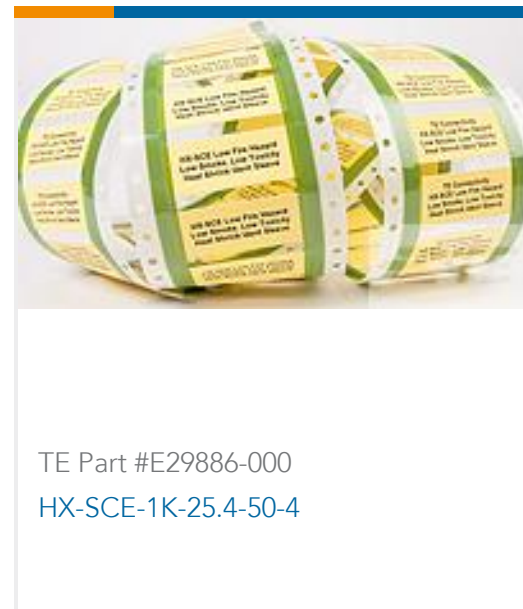
TE Part #292184-1
HYBRID MINI DRAWER REC ASS'Y 6



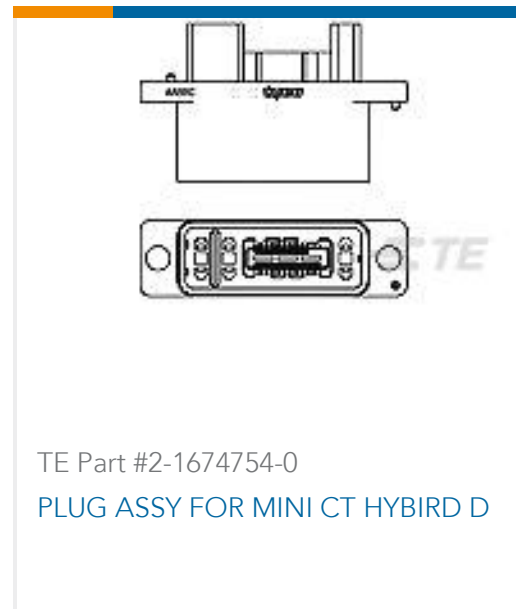
TE Part #1-179316-2
HYBRID MINI DRAWER REC CONT.



TE Part #8-1879061-9
CPF 0402 47K 0.1% 25PPM 5K RL



TE Part #E29886-000
HX-SCE-1K-25.4-50-4



TE Part #2-1674754-0
PLUG ASSY FOR MINI CT HYBRID D



TE Part #2-1674755-0
REC ASSY FOR MINI CT HYBRID DR



TE Part #1734372-1
Std USB, Type A, Plug



TE Part #60736-2
FASTON 250 FLAG REC 24-20 AWG
TPBR

Documents

Product Drawings

INDUSTRIAL USB PLUG KIT BULK PACK STYLE

English

CAD Files

Customer View Model

[ENG_CVM_CVM_2040305-1_C.2d_dxf.zip](#)

English

3D PDF

3D

Customer View Model

[ENG_CVM_CVM_2040305-1_C.3d_igs.zip](#)

English

Customer View Model

[ENG_CVM_CVM_2040305-1_C.3d_stp.zip](#)

English

By downloading the CAD file I accept and agree to the [Terms and Conditions](#) of use.

Datasheets & Catalog Pages



[USB Quick Reference Guide \(English\)](#)

English

[Product Specifications](#)

[INDUSTRIAL USB PLUG CONNECTOR KIT](#)

Japanese

[Application Specification](#)

Japanese

[Product Environmental Compliance](#)

[MD_2040305-1_041220132220_dmtec](#)

English

[MD_2040305-1_041220132220_dmtec](#)

English