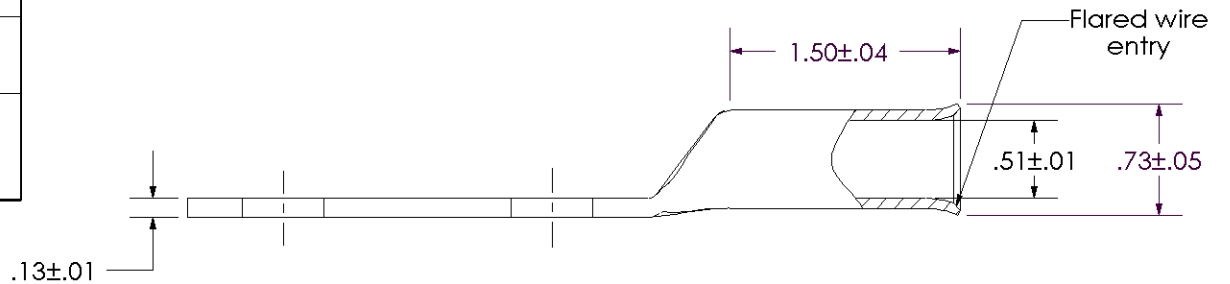
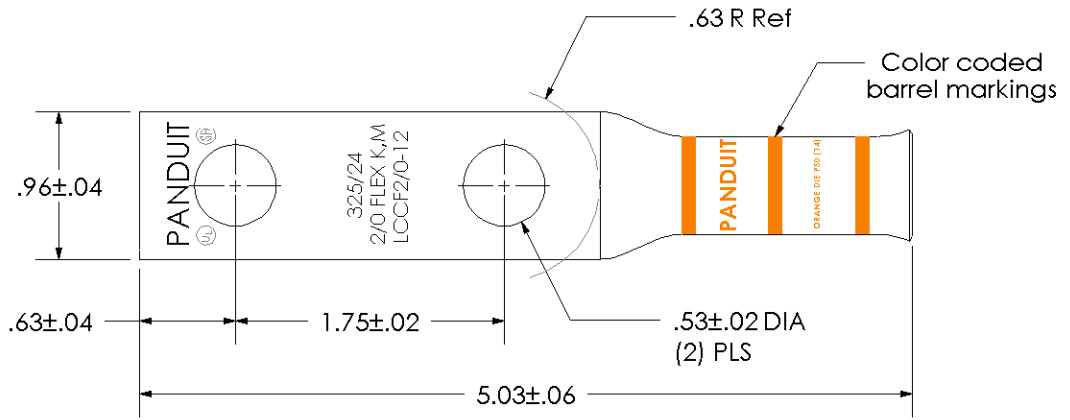


THIS COPY IS PROVIDED ON A RESTRICTED BASIS AND IS NOT TO BE USED IN ANY WAY DETRIMENTAL TO THE INTERESTS OF PANDUIT CORP.

Material	High Conductivity Seamless Copper Tube
Plating	Electro-Tin
Wire Size & Type	Stranded Copper Flex Cable; 2/0 AWG (325/24) Diesel Locomotive, 2/0 FLEX K,M Class K & Class M
Wire Strip Length	1-9/16 in.
Stud Size	1/2 in.
UL Listed Wire Connector	Yes, for applications up to 35kv. Consult cable manufacturer for voltage stress relief instructions with applications greater than 2000 volts.
UL Temperature Rating	90° C
C.S.A Certified Wire Connector	Yes
Panduit Color Code on Barrel	ORANGE
Panduit Die Index No. on Barrel	P50
Alternate Industry Die Index No. () on Barrel	(14)



PANDUIT CORP. TINLEY PARK, ILLINOIS

LCCF2/0-12-X
Copper Lug - Two-Hole, Flared Long Barrel

00	9/02	SAB	DRL
REV	DATE	BY	CHK

RELEASED
DESCRIPTION

10336
ECN

SCALE
N/A

DRAWING NO / CAD FILE

LCCF2_0-12-CUST